

## Errata

**Title & Document Type:** 8920A/B RF Communication Test Set Assembly Level Repair Guide

**Manual Part Number:** 08920-90168

**Revision Date:** September 1996

---

### HP References in this Manual

This manual may contain references to HP or Hewlett-Packard. Please note that Hewlett-Packard's former test and measurement, semiconductor products and chemical analysis businesses are now part of Agilent Technologies. We have made no changes to this manual copy. The HP XXXX referred to in this document is now the Agilent XXXX. For example, model number HP8648A is now model number Agilent 8648A.

### About this Manual

We've added this manual to the Agilent website in an effort to help you support your product. This manual provides the best information we could find. It may be incomplete or contain dated information, and the scan quality may not be ideal. If we find a better copy in the future, we will add it to the Agilent website.

### Support for Your Product

Agilent no longer sells or supports this product. You will find any other available product information on the Agilent Test & Measurement website:

[www.tm.agilent.com](http://www.tm.agilent.com)

Search for the model number of this product, and the resulting product page will guide you to any available information. Our service centers may be able to perform calibration if no repair parts are needed, but no other support from Agilent is available.

## Information Sheet for HP Part Numbers 08920-61828 and 08920-61896

In older instruments (HP 8920A, HP 8920B, or HP 8921A) the RF Diagnostics may appear to fail when run. Specifically, the Down Converter measurements of the Receiver Test may fail. If the measured results for these three readings are within the limits shown in the table below, the assembly should be considered acceptable. (Note: This test only runs when a Spectrum Analyzer is present in the Test Set.)

### Down Converters (With Spectrum Analyzer)

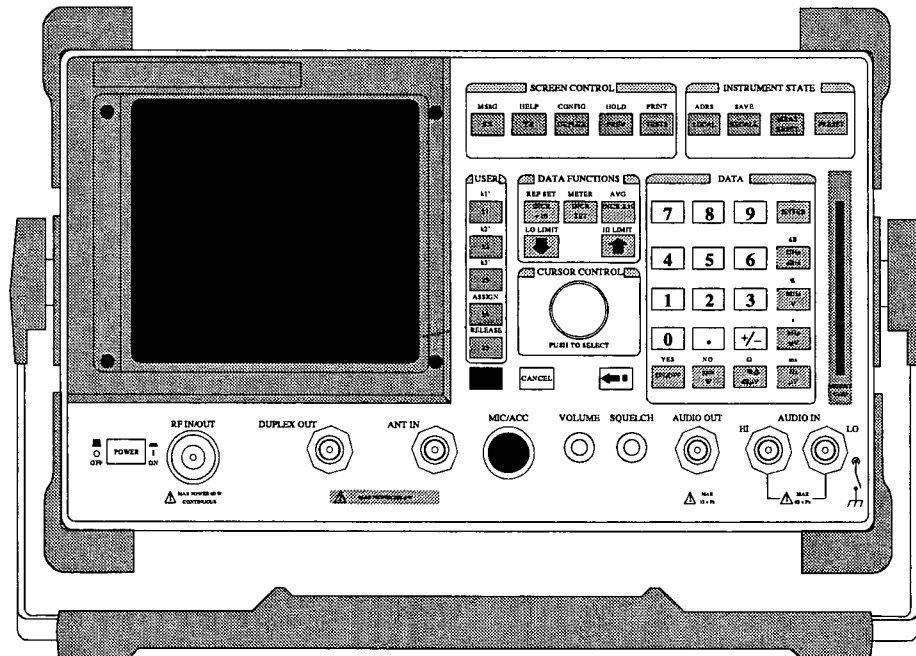
Description	Lower (dBm)	Upper (dBm)	Actual (dBm)
100 MHz, 614.3 MHz IF	-3.000	5.000	
500 MHz, 114.3 MHz IF	-3.000	5.000	
900 MHz, 114.3 MHz IF	-5.000	8.000	

The limits were widened due to increased variability in circuit parameters. The additional variability does not, however, affect the circuit's performance. Later versions of firmware (A.16.00 and above for the HP 8920A and HP 8921A, or B.02.01 and above for the HP 8920B) will give the correct results.

# HP 8920A/B RF Communication Test Set HP 8921A Cell Site Test Set

## *Assembly Level Repair*

Firmware Version  
HP 8920A A.14.07 and above  
HP 8920B B.01.07 and above  
HP 8921A A.14.07 and above



HP Part No. 08920-90168  
Printed in U. S. A.  
September 1996

Rev. C

Copyright © Hewlett-Packard Company 1995

**Notice**

Information contained in this document is subject to change without notice.

All Rights Reserved. Reproduction, adaptation, or translation without prior written permission is prohibited, except as allowed under the copyright laws.

This material may be reproduced by or for the U.S. Government pursuant to the Copyright License under the clause at DFARS 52.227-7013 (APR 1988).

Hewlett-Packard Company  
Learning Products Department  
24001 E. Mission  
Liberty Lake, WA 99019-9599  
U.S.A.

### **Manufacturer's Declaration**

This statement is provided to comply with the requirements of the German Sound Emission Directive, from 18 January 1991.

This product has a sound pressure emission (at the operator position) < 70 dB(A).

- Sound Pressure  $L_p < 70 \text{ dB(A)}$ .
- At Operator Position.
- Normal Operation.
- According to ISO 7779:1988/EN 27779:1991 (Type Test).

### **Herstellerbescheinigung**

Diese Information steht im Zusammenhang mit den Anforderungen der Maschinenlärminformationsverordnung vom 18 Januar 1991.

- Schalldruckpegel  $L_p < 70 \text{ dB(A)}$ .
- Am Arbeitsplatz.
- Normaler Betrieb.
- Nach ISO 7779:1988/EN 27779:1991 (Typprüfung).

## Safety Considerations

### GENERAL

This product and related documentation must be reviewed for familiarization with safety markings and instructions before operation.

This product has been designed and tested in accordance with *IEC Publication 1010*, "Safety Requirements for Electronic Measuring Apparatus," and has been supplied in a safe condition. This instruction documentation contains information and warnings which must be followed by the user to ensure safe operation and to maintain the product in a safe condition.

### SAFETY EARTH GROUND

A uninterruptible safety earth ground must be provided from the main power source to the product input wiring terminals, power cord, or supplied power cord set.

### CHASSIS GROUND TERMINAL

To prevent a potential shock hazard, always connect the rear-panel chassis ground terminal to earth ground when operating this instrument from a dc power source.

### SAFETY SYMBOLS



Indicates instrument damage can occur if indicated operating limits are exceeded.



Indicates hazardous voltages.



Indicates earth (ground) terminal

---

### WARNING

**A WARNING note denotes a hazard. It calls attention to a procedure, practice, or the like, which, if not correctly performed or adhered to, could result in personal injury. Do not proceed beyond a WARNING sign until the indicated conditions are fully understood and met.**

---

### CAUTION

**A CAUTION note denotes a hazard. It calls attention to an operation procedure, practice, or the like, which, if not correctly performed or adhered to, could result in damage to or destruction of part or all of the product. Do not proceed beyond a CAUTION note until the indicated conditions are fully understood and met.**

## Safety Considerations for this Instrument

---

**WARNING**

This product is a Safety Class I instrument (provided with a protective earthing ground incorporated in the power cord). The mains plug shall only be inserted in a socket outlet provided with a protective earth contact. Any interruption of the protective conductor inside or outside of the product is likely to make the product dangerous. Intentional interruption is prohibited..

Whenever it is likely that the protection has been impaired, the instrument must be made inoperative and be secured against any unintended operation.

If this instrument is to be energized via an autotransformer (for voltage reduction), make sure the common terminal is connected to the earth terminal of the power source.

If this product is not used as specified, the protection provided by the equipment could be impaired. This product must be used in a normal condition (in which all means for protection are intact) only.

No operator serviceable parts in this product. Refer servicing to qualified personnel. To prevent electrical shock, do not remove covers.

Servicing instructions are for use by qualified personnel only. To avoid electrical shock, do not perform any servicing unless you are qualified to do so.

The opening of covers or removal of parts is likely to expose dangerous voltages. Disconnect the product from all voltage sources while it is being opened.

Adjustments described in the manual are performed with power supplied to the instrument while protective covers are removed. Energy available at many points may, if contacted, result in personal injury.

The power cord is connected to internal capacitors that may remain live for 5 seconds after disconnecting the plug from its power supply.

For Continued protection against fire hazard, replace the line fuse(s) only with 250 V fuse(s) or the same current rating and type (for example, normal blow or time delay). Do not use repaired fuses or short circuited fuseholders.

---

---

**CAUTION:**

Always use the three-prong ac power cord supplied with this product. Failure to ensure adequate earth grounding by not using this cord may cause product damage.

This product is designed for use in Installation Category II and Pollution Degree 2 per *IEC 1010* and *IEC 664* respectively.

This product has autoranging line voltage input, be sure the supply voltage is within the specified range.

Ventilation Requirements: When installing the product in a cabinet, the convection into and out of the product must not be restricted. The ambient temperature (outside the cabinet) must be less than the maximum operating temperature of the product by 4° C for every 100 watts dissipated in the cabinet. If the total power dissipated in the cabinet is greater than 800 watts, then forced convection must be used.

**Product Markings**

CE - the CE mark is a registered trademark of the European Community. A CE mark accompanied by a year indicated the year the design was proven.

CSA - the CSA mark is a registered trademark of the Canadian Standards Association.



**CERTIFICATION** *Hewlett-Packard Company certifies that this product met its published specifications at the time of shipment from the factory. Hewlett-Packard further certifies that its calibration measurements are traceable to the United States National Institute of Standards and Technology, to the extent allowed by the Institute's calibration facility, and to the calibration facilities of other International Standards Organization members*

**WARRANTY** This Hewlett-Packard instrument product is warranted against defects in material and workmanship for a period of one year from date of shipment. During the warranty period, Hewlett-Packard Company will at its option, either repair or replace products which prove to be defective.

For warranty service or repair, this product must be returned to a service facility designated by HP. Buyer shall prepay shipping charges to HP and HP shall pay shipping charges, duties, and taxes for products returned to HP from another country.

HP warrants that its software and firmware designated by HP for use with an instrument will execute its programming instructions when properly installed on that instrument. HP does not warrant that the operation of the instrument, or software, or firmware will be uninterrupted or error free.

**LIMITATION OF WARRANTY** The foregoing warranty shall not apply to defects resulting from improper or inadequate maintenance by Buyer, Buyer-supplied software or interfacing, unauthorized modification or misuse, operation outside of the environmental specifications for the product, or improper site preparation or maintenance.

**NO OTHER WARRANTY IS EXPRESSED OR IMPLIED. HP SPECIFICALLY DISCLAIMS THE IMPLIED WARRANTIES OF MERCHANTABILITY AND FITNESS FOR A PARTICULAR PURPOSE.**

**EXCLUSIVE REMEDIES** THE REMEDIES PROVIDED HEREIN ARE BUYER'S SOLE AND EXCLUSIVE REMEDIES. HP SHALL NOT BE LIABLE FOR ANY DIRECT, INDIRECT, SPECIAL, INCIDENTAL, OR CONSEQUENTIAL DAMAGES, WHETHER BASE ON CONTRACT, TORT, OR ANY OTHER LEGAL THEORY.

**ASSISTANCE** *Product maintenance agreements and other customer assistance agreements are available for Hewlett-Packard products. For any assistance, contact your nearest Hewlett-Packard Sales and Service Office.*

# DECLARATION OF CONFORMITY

according to ISO/IEC Guide 22 and EN 45014

Manufacturer's Name: Hewlett-Packard Co.  
Manufacturer's Address: Spokane Division  
24001 E. Mission Avenue  
Liberty Lake, Washington 99019-9599  
USA

declares that the product

Product Name: CDMA Mobile Station Test Set  
Model Number: HP 8924C  
Product Options: This declaration covers all options of the above product.

conforms to the following Product specifications:

Safety: IEC 1010-1:1990+A1 / EN 61010-1:1993  
CAN/CSA-C22.2 No. 1010.1-92

EMC: CISPR 11:1990/EN 55011:1991 Group 1, Class A  
IEC 801-2:1984/EN 50082-1:1992 4 kV CD, 8 kV AD  
IEC 801-3:1984/EN 50082-1:1992 3V/m  
IEC 801-4:1988/EN 50082-1:1992 0.5 kV Sig. Lines, 1 kV Power Lines

## Supplementary Information:

This product herewith complies with the requirements of the Low Voltage Directive 73/23/EEC and the EMC Directive 89/336/EEC.

Spokane, Washington USA November 20, 1995  
Date

  
Vince Roland/Quality Manager

European Contact: Your local Hewlett-Packard Sales and Service Office or Hewlett-Packard GmbH  
Department ZQ/Standards Europe, Herrenberger Strasse 130, D-71034 Böblingen, Germany (FAX+49-7031-14-3143)

---

## HP Support for Your Instrument

Parts and service for your Test Set can be ordered by contacting the nearest Hewlett-Packard regional sales office listed in **table 1, "Regional Sales and Service Offices"** on page 11.

---

## **Customer Training**

Hewlett-Packard offers customers a variety of training materials and classes that explain the theory and applications of many HP products. Contact your HP regional sales office to arrange training for you or your group.

**Table 1**                      **Regional Sales and Service Offices**

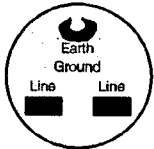
<p>Eastern USA Sales Office Hewlett-Packard Company 2101 Gather Rd. Rockville, MD 20850 Tel: (301) 258-2000</p>	<p>Eastern USA Service Center Hewlett-Packard Company 150 Green Pond Road Rockaway, NJ 07866 Tel: (201) 586-5400</p>	<p>Midwestern USA Sales and Service Hewlett-Packard Company 5201 Tollview Drive Rolling Meadows, IL 60008 Tel: (708) 342-2000</p>
<p>Southern USA Sales and Service Hewlett-Packard Company 1995 North Park Place Atlanta, GA 30339</p> <p>Sales Tel: (404) 955-1500 Fax: (404) 980-7292</p> <p>Service Tel: (404) 850-2544 Fax: (404) 980-7292</p>	<p>Southern USA Service Center Hewlett-Packard Company 930 E. Campbell Road Richardson, TX 75081 Tel: (214) 699-4331</p>	<p>Western USA Service Center Hewlett-Packard Company 301 E. Evelyn Avenue Mountain View, CA 94041 Tel: (415) 694-2000 Fax: (415) 694-0601</p>
<p>Western USA Sales and Service Hewlett-Packard Company 24 Inverness Place East Englewood, CO 80112</p> <p>Sales Tel: (303) 649-5000 Fax: (303) 649-5787</p> <p>Service Tel: (303) 649-5512 Fax: (303) 649-5787</p>	<p>Western USA Sales and Service Hewlett-Packard Company 1421 South Manhattan Avenue Fullerton, CA 92631</p> <p>Sales Tel: (714) 999-6700 Fax: (714) 778-3033</p> <p>Service Tel: (714) 758-5490 Fax: (714) 778-3033</p>	<p>United States of America Customer Information Center Hewlett-Packard Company Tel: (800) 752-0900</p> <p>6:00 am to 5:00 pm Pacific Time Parts Direct: 1-800-227-8164</p>

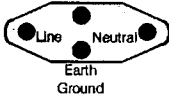
## Customer Training

**Table 1 Regional Sales and Service Offices (Continued)**

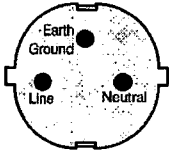
<p>South Eastern Europe Sales and Service Hewlett-Packard Ges. m.b.h. Liebigasse 1 P.O. Box 72 A-1222 Vienna, Austria Telephone: 43 222 2500 0 Telex: 13 4425</p>	<p>European Multicountry Region Sales and Service Hewlett-Packard S.A. P.O. Box 95 150, Route dv Nant_dl_AVRIL CH-1217 Meyrin 2 Geneva, Switzerland Telephone: (41/22) 780-8111 Fax: (41/22) 780-8542</p>	<p>Northern Europe Sales and Service Hewlett-Packard Nederland B.V. Startbaan 16 1187 XR Amstelveen, The Netherlands P.O. Box 667 Telephone: 31/20 5476911 X 6631 Fax: 31-20-6471825NL</p>
<p>Asia Sales and Service Hewlett-Packard Asia Ltd. 22-30/F Peregrine Tower Lippo Center 89 Queensway, Central Hong Kong G.P.O. Box 863 Hong Kong Telephone: 852-848-7777 Fax: 852-868-4997</p>	<p>Japan Sales and Service Yokogawa-Hewlett-Packard Ltd. 3-29-21, Takaido-Higashi Suginami-Ku, Tokyo 168 Telephone: 81 3 3331-6111 Fax: 81 3 3331-6631</p>	<p>International Sales Branch Headquarters Sales and Service Hewlett-Packard S.A. 39 Rue Veyrot P.O. Box 365 1217 Meyrin 1 Geneva, Switzerland Telephone: 41-22-780-4111 Fax: 41-22-780-4770</p>
<p>Australia, New Zealand Sales and Service Hewlett-Packard Ltd. P.O. Box 221 31-41 Joseph Street Blackburn, Victoria 3130 Telephone: (61/3) 895-2895 Fax: (61/3) 898-9257</p>	<p>Canada Sales and Service Hewlett-Packard (Canada) Ltd. 5150 Spectrum Way Mississauga, Ontario L4W 5G1 Canada Telephone: (416) 206-4725 Fax: (416) 206-4739</p>	<p>Canada Service Center Hewlett-Packard Company 17500 Transcanada Highway S. Serv Road Kirkland, Quebec H9J 2X8 Canada Telephone: (416) 206-3295</p>
<p>Canada Service Center Hewlett-Packard Ltd. 11120 178 Street Edmonton, Alberta T5S 1P2 Canada Telephone: (403) 486-6666 Fax: (403) 489-8764</p>	<p>Latin America Hewlett-Packard Company LAHQ Mexico City Col. Lomas de Virreyes 11000 Mexico D.F. Mexico Telephone: (52/5) 326-4000 Fax: (52/5) 202 7718</p>	<p>United Kingdom Sales and Service Hewlett-Packard Ltd. Cain Road Amen Corner Bracknell, Berkshire RG12 1HN United Kingdom Telephone: 44 344 360000 Fax: 44 344 363344</p>

## Power Cables

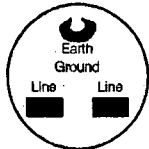
Plug Type	Plug Descriptions male/female	HP Part # (cable & plug)	Cable Descriptions
	Straight/Straight	8120-0698	90 inches, black
<b>Used in the following locations</b>			
Peru			

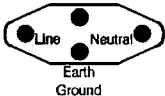
Plug Type	Plug Descriptions male/female	HP Part # (cable & plug)	Cable Descriptions
	Straight/Straight Straight/90°	8120-2104 8120-2296	79 inches, gray 79 inches, gray
<b>Used in the following locations</b>			
Switzerland			

**Power Cables**

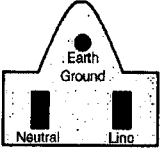
Plug Type	Plug Descriptions male/female	HP Part # (cable & plug)	Cable Descriptions
	Straight/Straight Straight/90°	8120-1689 8120-1692	79 inches, mint gray 79 inches, mint gray
<b>Used in the following locations</b>			
Afghanistan, Albania, Algeria, Angola, Armenia, Austria, Azerbaijan, Azores			
Bangladesh, Belgium, Benin, Bolivia, Bosnia-Herzegovina, Bulgaria, Burkina Faso, Burma, Burundi, Byelarus			
Cameroon, Canary Islands, Central African Republic, Chad, Chile, Comoros, Congo, Croatia, Czech			
Republic, Czechoslovakia			
Denmark, Djibouti			
East Germany, Egypt, Estonia, Ethiopia			
Finland, France, French Guiana, French Indian Ocean Areas			
Gabon, Gaza Strip, Georgia, Germany, Gozo, Greece			
Hungary			
Iceland, Indonesia, Iran, Iraq, Israel, Italy, Ivory Coast			
Jordan			
Kazakhstan, Korea, Kyrgystan			
Latvia, Lebanon, Libya, Lithuania, Luxembourg			
Macedonia, Madeira Islands, Malagasy Republic, Mali, Malta, Mauritania, Miquelon, Moldova, Mongolia,			
Morocco, Mozambique			
Nepal, Netherlands, Netherlands Antilles, Niger, Norway			
Oman			
Pakistan, Paraguay, Poland, Portugal			
Rep. South Africa, Romania, Russia, Rwanda			
Saudi Arabia (220V), Senegal, Slovak Republic, Slovenia, Somalia, Spain, Spanish Africa, Sri Lanka, St.			
Pierre Islands			
Sweden, Syria			
Tajikistan, Thailand, Togo, Tunisia, Turkey, Turkmenistan			
USSR, Ukraine, Uzbekistan			
Western Africa, Western Sahara			
Yugoslavia			
Zaire			

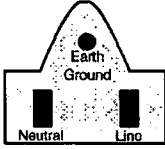


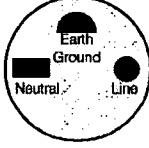
Plug Type	Plug Descriptions male/female	HP Part # (cable & plug)	Cable Descriptions
	Straight/Straight	8120-0698	90 inches, black
<b>Used in the following locations</b> Peru			

Plug Type	Plug Descriptions male/female	HP Part # (cable & plug)	Cable Descriptions
	Straight/Straight Straight/90°	8120-2104 8120-2296	79 inches, gray 79 inches, gray
<b>Used in the following locations</b> Switzerland			

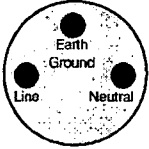
Power Cables

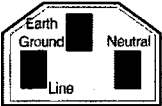
Plug Type	Plug Descriptions male/female	HP Part # (cable & plug)	Cable Descriptions
<p style="text-align: center;"><b>125V</b></p> 	Straight/Straight Straight/90° Straight/Straight	8120-1378 8120-1521 8120-1751	90 inches, jade gray 90 inches, jade gray 90 inches, jade gray
<b>Used in the following locations</b>			
American Samoa			
Bahamas, Barbados, Belize, Bermuda, Brazil,			
Caicos, Cambodia, Canada, Cayman Islands, Columbia, Costa Rica, Cuba			
Dominican Republic			
Ecuador, El Salvador			
French West Indies			
Guam, Guatemala, Guyana			
Haiti, Honduras			
Jamaica			
Korea			
Laos, Leeward and Windward Is., Liberia			
Mexico, Midway Islands			
Nicaragua			
Other Pacific Islands			
Panama, Philippines, Puerto Rico			
Saudi Arabia (115V,127V), Suriname			
Taiwan, Tobago, Trinidad, Trust Territories of Pacific Islands			
Turks Island			
United States			
Venezuela, Vietnam, Virgin Islands of the US			
Wake Island			

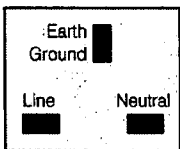
Plug Type	Plug Descriptions male/female	HP Part # (cable & plug)	Cable Descriptions
<b>JIS C 8303, 100 V</b> 	Straight/Straight Straight/90°	8120-4753 8120-4754	90 inches, dark gray 90 inches, dark gray
<b>Used in the following locations</b>			
Japan			

Plug Type	Plug Descriptions male/female	HP Part # (cable & plug)	Cable Descriptions
	90°/Straight 90°/90° Straight/Straight	8120-2956 8120-2957 8120-3997	79 inches, gray 79 inches, gray 79 inches, gray
<b>Used in the following locations</b>			
Denmark			
Greenland			

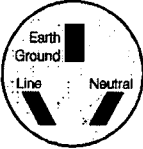
Power Cables

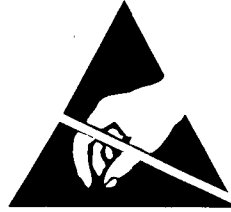
Plug Type	Plug Descriptions male/female	HP Part # (cable & plug)	Cable Descriptions
	Straight/Straight Straight/90°	8120-4211 8120-4600	79 inches, mint gray 79 inches, mint gray
<b>Used in the following locations</b>			
Botswana			
India			
Lesotho			
Malawi			
South-West Africa (Namibia), Swaziland			
Zambia, Zimbabwe			

Plug Type	Plug Descriptions male/female	HP Part # (cable & plug)	Cable Descriptions
	Straight/Straight Straight/Straight Straight/90° Straight/90°	8120-1860 8120-1575 8120-2191 8120-4379	60 inches, jade gray 30 inches, jade gray 60 inches, jade gray 15.5 inches, jade gray
<b>Used in the following locations</b>			
System Cabinets			

Plug Type (Male)	Plug Descriptions male/female	HP Part # (cable & plug)	Cable Descriptions
	90°/Straight 90°/90°	8120-1351 8120-1703	90 inches, mint gray 90 inches, mint gray
<b>Used in the following locations</b>			
Bahrain, British Indian Ocean Terr., Brunei			
Canton, Cyprus			
Enderbury Island, Equatorial Guinea			
Falkland Islands, French Pacific Islands			
Gambia, Ghana, Gibraltar, Guinea			
Hong Kong			
Ireland			
Kenya, Kuwait			
Macao, Malaysia, Mauritius			
Nigeria			
Qatar			
Seychelles, Sierra Leone, Singapore, Southern Asia, Southern Pacific Islands, St. Helena, Sudan			
Tanzania			
Uganda, United Arab Emirates, United Kingdom			
Yemen (Aden & Sana)			

Power Cables

Plug Type	Plug Descriptions male/female	HP Part # (cable &plug)	Cable Descriptions
	Straight/Straight Straight/90°	8120-1369 8120-0696	79 inches, gray 80 inches, gray
<b>Used in the following locations</b>			
Argentina, Australia			
China (People's Republic)			
New Zealand			
Papua New Guinea			
Uruguay			
Western Samoa			



## **ATTENTION** **Static Sensitive** **Devices**

*This instrument was constructed in an ESD (electro-static discharge) protected environment. This is because most of the semi-conductor devices used in this instrument are susceptible to damage by static discharge.*

*Depending on the magnitude of the charge, device substrates can be punctured or destroyed by contact or mere proximity of a static charge. The result can be degradation of device performance, early failure, or immediate destruction.*

*These charges are generated in numerous ways such as simple contact, separation of materials, and normal motions of persons working with static sensitive devices.*

*When handling or servicing equipment containing static sensitive devices, adequate precautions must be taken to prevent device damage or destruction.*

*Only those who are thoroughly familiar with industry accepted techniques for handling static sensitive devices should attempt to service circuitry with these devices.*

*In all instances, measures must be taken to prevent static charge build-up on work surfaces and persons handling the devices.*







---

## Contents

### **1 Introduction**

Conventions Used 46

Test Set Description 48

Troubleshooting 50

Repair Process 51

Calibration 52

Service Tools, Equipment and Documentation 53

Self-Support Information 54

Support Contacts 55

Hardware and Firmware Enhancements 56

**2 Troubleshooting**

Four Basic Steps In Troubleshooting the Test Set 59

More About Step 2 - Run the Self-Test Diagnostic 65

More About Step 3 - Run the Functional Diagnostics 67

---

## Contents

### 3 Repair

Introduction 80

Downloading Calibration Data 81

Troubleshooting Aids for Assemblies 82

Disassembly and Replacement Procedures 85

A23 RF Input Assembly 88

A1 Front Panel (includes keyboard) 90

A11 Receiver Mixer 92

A10 Power Supply Regulator 94

A9 Power Supply 96

A25 Motherboard 98

Fan 100

High-Power Attenuator 102

A20 Display (CRT) 104

A7 Controller 105

### 4 Calibration

Introduction 108

Performance Tests 120

RF Gen AM Distortion  
Performance Test 1 125

RF Gen AM Accuracy  
Performance Test 2 127

RF Gen AM Flatness  
Performance Test 3 129

RF Gen FM Distortion  
Performance Test 4 131

RF Gen FM Accuracy  
Performance Test 5 133

RF Gen FM Flatness  
Performance Test 6 135

RF Gen Residual FM  
Performance Test 7 137

RF Gen Duplex Output High Level Accuracy  
Performance Test 8 140

RF Gen Duplex Output Low Level Accuracy  
Performance Test 9 142

RF Gen RF IN/OUT Level Accuracy  
Performance Test 10 145

RF Gen Harmonics Spectral Purity  
Performance Test 11 147

RF Gen Spurious Spectral Purity  
Performance Test 12 149

AF Gen AC Level Accuracy  
Performance Test 13 151

AF Gen DC Level Accuracy  
Performance Test 14 153

AF Gen Residual Distortion  
Performance Test 15 155

AF Gen Frequency Accuracy  
Performance Test 16 157

AF Analyzer AC Voltage Accuracy  
Performance Test 17 159

AF Analyzer Residual Noise  
Performance Test 18 161

AF Analyzer Distortion, SINAD, & SNR Accuracy  
Performance Test 19 163

AF Analyzer DC Level Accuracy  
Performance Test 20 165

AF Analyzer Frequency Accuracy to 100 kHz  
Performance Test 21 167

AF Analyzer Frequency Accuracy at 400 kHz  
Performance Test 22 169

Oscilloscope  
Performance Test 23 171

RF Analyzer Level Accuracy  
Performance Test 24 173

---

## Contents

RF Analyzer AM Accuracy  
Performance Test 25 178

RF Analyzer AM Distortion  
Performance Test 26 181

RF Analyzer Residual AM  
Performance Test 27 185

RF Analyzer FM Accuracy  
Performance Test 28 187

RF Analyzer FM Distortion  
Performance Test 29 190

RF Analyzer FM Bandwidth  
Performance Test 30 194

RF Analyzer Residual FM  
Performance Test 31 198

RF Analyzer SSB Demodulation  
Performance Test 32 200

Spectrum Analyzer Image Rejection  
Performance Test 33 205

### 5 Performance Tests

HP 8920A Performance Test Record 210

RF Gen AM Distortion  
Performance Test 1 211

RF Gen AM Accuracy  
Performance Test 2 213

RF Gen AM Flatness  
Performance Test 3 215

RF Gen FM Distortion  
Performance Test 4 216

RF Gen FM Accuracy  
Performance Test 5 218

RF Gen FM Flatness  
Performance Test 6 220

RF Gen Residual FM  
Performance Test 7 221

RF Gen Duplex Output High Level Accuracy  
Performance Test 8 223

RF Gen Duplex Output Low Level Accuracy  
Performance Test 9 225

RF Gen RF IN/OUT Level Accuracy  
Performance Test 10 231

RF Gen Harmonics Spectral Purity  
Performance Test 11 234

RF Gen Spurious Spectral Purity  
Performance Test 12 238



---

## Contents

AF Gen AC Level Accuracy  
Performance Test 13 240

AF Gen DC Level Accuracy  
Performance Test 14 242

AF Gen Residual Distortion  
Performance Test 15 243

AF Gen Frequency Accuracy  
Performance Test 16 245

AF Analyzer AC Voltage Accuracy  
Performance Test 17 246

AF Analyzer Residual Noise Performance Test 18 247

AF Analyzer Distortion, SINAD and SNR Accuracy  
Performance Test 19 248

AF Analyzer DC Level Accuracy  
Performance Test 20 250

AF Analyzer Frequency Accuracy to 100 kHz  
Performance Test 21 251

AF Analyzer Frequency Accuracy at 400 kHz  
Performance Test 22 252

Oscilloscope  
Performance Test 23 253

RF Analyzer Level Accuracy  
Performance Test 24 254

RF Analyzer AM Accuracy  
Performance Test 25 255

RF Analyzer AM Distortion  
Performance Test 26 257

RF Analyzer Residual AM  
Performance Test 27 258

RF Analyzer FM Accuracy  
Performance Test 28 259

RF Analyzer FM Distortion  
Performance Test 29 260

RF Analyzer FM Bandwidth  
Performance Test 30 261

RF Analyzer Residual FM  
Performance Test 31 262

RF Analyzer SSB Demodulation  
Performance Test 32 263

Spectrum Analyzer Image Rejection  
Performance Test 33 264

HP 8920B Performance Test Record 266

RF Gen AM Distortion  
Performance Test 1 267

RF Gen AM Accuracy  
Performance Test 2 269

RF Gen AM Flatness  
Performance Test 3 271

RF Gen FM Distortion  
Performance Test 4 272

---

## Contents

RF Gen FM Accuracy  
Performance Test 5 274

RF Gen FM Flatness  
Performance Test 6 276

RF Gen Residual FM  
Performance Test 7 277

RF Gen Duplex Output High Level Accuracy Performance Test  
8 279

RF Gen Duplex Output Low Level Accuracy Performance Test  
9 281

RF Gen RF IN/OUT Level Accuracy Performance Test 10 287

RF Gen Harmonics Spectral Purity  
Performance Test 11 290

RF Gen Spurious Spectral Purity  
Performance Test 12 294

AF Gen AC Level Accuracy  
Performance Test 13 296

AF Gen DC Level Accuracy  
Performance Test 14 298

AF Gen Residual Distortion  
Performance Test 15 299

AF Gen Frequency Accuracy  
Performance Test 16 301

AF Analyzer AC Voltage Accuracy  
Performance Test 17 302

---

## Contents

AF Analyzer Residual Noise  
Performance Test 18 303

AF Analyzer Distortion, SINAD and SNR Accuracy  
Performance Test 19 304

AF Analyzer DC Level Accuracy  
Performance Test 20 306

AF Analyzer Frequency Accuracy to 100 kHz  
Performance Test 21 307

AF Analyzer Frequency Accuracy at 400 kHz  
Performance Test 22 308

Oscilloscope  
Performance Test 23 309

RF Analyzer Level Accuracy  
Performance Test 24 310

RF Analyzer AM Accuracy  
Performance Test 25 311

RF Analyzer AM Distortion  
Performance Test 26 313

RF Analyzer Residual AM  
Performance Test 27 314

RF Analyzer FM Accuracy  
Performance Test 28 315

RF Analyzer FM Distortion  
Performance Test 29 316

RF Analyzer FM Bandwidth  
Performance Test 30 317

---

## Contents

RF Analyzer Residual FM Performance Test 31	318
RF Analyzer SSB Demodulation Performance Test 32	319
Spectrum Analyzer Image Rejection Performance Test 33	320
HP 8921A Performance Test Record	322
RF Gen FM Distortion Performance Test 4	323
RF Gen FM Accuracy Performance Test 5	325
RF Gen FM Flatness Performance Test 6	327
RF Gen Residual FM Performance Test 7	328
RF Gen Duplex Output High Level Accuracy Performance Test 8	330
RF Gen Duplex Output Low Level Accuracy Performance Test 9	332
RF Gen RF IN/OUT Level Accuracy Performance Test 10	338
RF Gen Harmonics Spectral Purity Performance Test 11	341
RF Gen Spurious Spectral Purity Performance Test 12	345

---

## Contents

AF Gen AC Level Accuracy  
Performance Test 13 347

AF Gen DC Level Accuracy  
Performance Test 14 349

AF Gen Residual Distortion  
Performance Test 15 350

AF Gen Frequency Accuracy  
Performance Test 16 352

AF Analyzer AC Voltage Accuracy  
Performance Test 17 353

AF Analyzer Residual Noise  
Performance Test 18 354

AF Analyzer Distortion, SINAD and SNR Accuracy  
Performance Test 19 355

AF Analyzer DC Level Accuracy  
Performance Test 20 356

AF Analyzer Frequency Accuracy to 100 kHz  
Performance Test 21 357

AF Analyzer Frequency Accuracy at 400 kHz  
Performance Test 22 358

Oscilloscope  
Performance Test 23 359

RF Analyzer Level Accuracy  
Performance Test 24 360

RF Analyzer FM Accuracy  
Performance Test 28 361

---

## Contents

RF Analyzer FM Distortion  
Performance Test 29 362

RF Analyzer FM Bandwidth  
Performance Test 30 363

RF Analyzer Residual FM  
Performance Test 31 364

RF Analyzer SSB Demodulation  
Performance Test 32 365

Spectrum Analyzer Image Rejection  
Performance Test 33 366

### **6 Specifications**

HP 8920A 371

Signal Generator Specifications 372

Audio Source Specifications 376

RF Analyzer Specifications 377

AF Analyzer Specifications 380

Oscilloscope Specifications 383

Spectrum Analyzer Specifications (Option 102) 384

Signaling (Option 004) 387

DC Current Meter (Option 103) 388

Remote Programming (Option 103) 389

Reference Oscillator Specifications 390

Save/Recall Registers 391

General Specifications 392

HP 8920B 393

Signal Generator Specifications 394

Audio Source Specifications 399

RF Analyzer Specifications 400

AF Analyzer Specifications 404

Oscilloscope Specifications 408



---

## Contents

Spectrum Analyzer Specifications (Option 102)	409
Signaling (Option 004)	412
DC Current Meter	413
Remote Programming	414
Memory Card Specifications	415
Reference Oscillator Specifications	416
Save/Recall Registers	417
Delete Handle and Cover (Option 031)	418
General Specifications	419
HP 8921A	421
Signal Generator Specifications	422
Audio Source Specifications	424
RF Analyzer Specifications	425
AF Analyzer Specifications	427
Oscilloscope Specifications	429
Spectrum Analyzer Specifications	430
Signaling	433
DC Current Meter	434
Remote Programming	435

---

## Contents

Save/Recall Registers 436

General Specifications 437

---

## Contents

### 7 Service Screen

Introduction 440

---

## Contents

### **8 Block Diagrams**

Introduction 446

**9 Replaceable Parts**

Introduction 526

Self-Support Program 526

HP 8920A Replaceable Parts List 527

HP 8920B Replaceable Parts List 550

HP 8921A Replaceable Parts List 574

---

## Contents

### **10 Diagnostics Descriptions**

Description Of Self-Test Diagnostic 598

Description Of Audio Diagnostics (AF\_DIAGS) 605

Description Of RF Diagnostics (RF\_DIAGS) 639

Description Of Miscellaneous Diagnostics (MS\_DIAGS) 661

---

## Contents





---

## **Introduction**

This manual tells how to service the HP 8920A and 8920B RF Communications Test Sets and the HP 8921A Cell Site Test Set.

---

## **Conventions Used**

Throughout this manual the HP 8920A, 8920B and 8921A will be referred to as the Test Set unless reference to a specific model number is required. Also, throughout this manual a Test Set with a Digital Cellular Adapter (such as an HP 83201A, B or 83203A) attached to it will be referred to as the Test System.

## Manual Contents

This manual includes:

### Procedures

- Introduction (Chapter 1)
- Troubleshooting (Chapter 2)
- Repair (Chapter 3)
- Calibration (Chapter 4)
- Performance Tests (Chapter 5)

### Reference

- Specifications (Chapter 6)
- Service Screen (Chapter 7)
- Block Diagrams (Chapter 8)
- Replaceable Parts (Chapter 9)
- Diagnostics Descriptions (Chapter 10)
- Error Messages

Chapter 3 includes calibration downloading and disassembly procedures.

Chapter 4 includes periodic calibration and performance tests. Chapter 8 includes block diagrams, theory of operation, I/O signal descriptions, and power supply voltage distribution information. The replaceable parts list is in chapter 9.

## Test Set Description

The Test Set integrates twenty-two complete instruments in one box. It is designed to meet the communication test needs of both service and manufacturing, offering the functionality needed to test analog and digital (when used with an HP 83201A or 83201B Cellular Adapter) communications systems such as land mobile radios and dual-mode cellular phones. Some of the instruments in the Test Set (some may be optional) include:

- Synthesized AM and FM signal generator
- AM and FM Modulation analyzer
- Duplex offset generator
- SSB demodulator
- RF power meter
- Audio and RF frequency counter and RF frequency error meter
- AC and DC voltmeter
- Distortion, SINAD, and signal-to-noise-ratio meters
- Two variable audio sources
- Oscilloscope
- Spectrum analyzer and tracking generator (optional in some Test Sets)
- Signaling encoder and decoder (optional in some Test Sets)
- DC current meter (optional in some Test Sets)

The Test Set contains approximately twenty-five replaceable assemblies. Most assemblies are plug-in printed-circuit boards. Several of the internal instruments are created all or in part by digital techniques.

All instrument functions are internally controlled by a microprocessor, which also interfaces with external inputs. The Test Set can be part of an externally-controlled system or the Test Set itself can function as the controller for a system. IBASIC is built into the Test Set.

When a Cellular Adapter is attached to the top of the Test Set to form a Test System, the Test Set acts as an RF source and analyzer for the Cellular Adapter which modulates and demodulates the signal according to the format of the cellular system it simulates. The diagnostics for testing the Cellular Adapter (the top box) reside in the Test Set (the bottom box, the host controller); therefore, the Test Set must have firmware compatible with the Cellular Adapter.

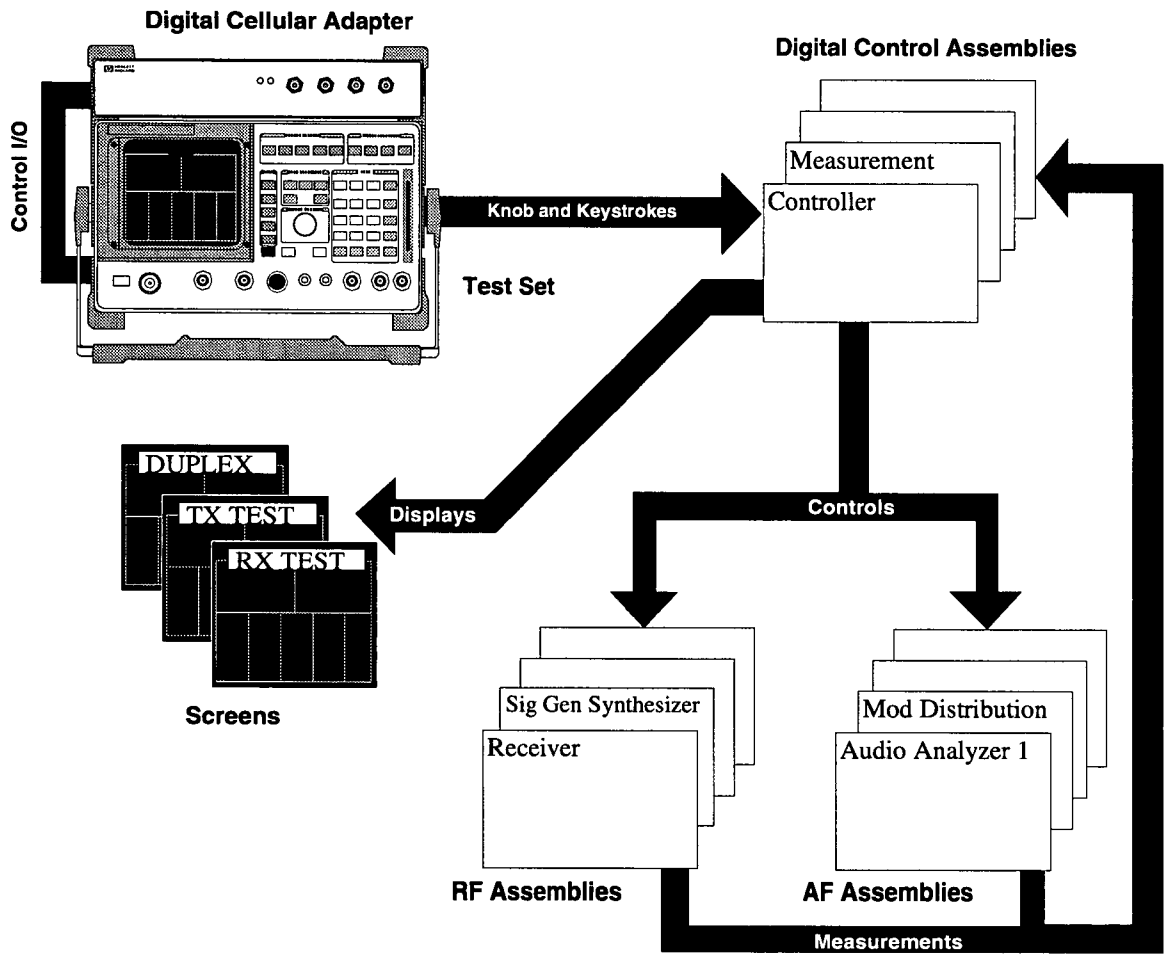


Figure 1 Test Set Description

---

## Troubleshooting

You can repair the Test Set yourself or send it to your local Hewlett-Packard sales and service office. Before starting a repair, you should become familiar with basic Test Set (or Test System) operation. Refer to the applicable User's Guide.

The troubleshooting documented in this manual is centered around built-in diagnostics. Because the diagnostic results may be ambiguous, further interpretation and testing may be required. There are three categories of diagnostics built into the Test Set:

- Power-up self-test diagnostics to test controller functioning
- Internal RF (Radio Frequency) and AF (Audio Frequency) circuits diagnostics
- Diagnostics for the Cellular Adapter (if appropriate)

Troubleshooting hints in this manual include:

- Instructions on how to begin troubleshooting (see **chapter 2, "Troubleshooting"**)
- Block diagrams and theory of operation (see **chapter 8, "Block Diagrams"**)
- Detailed information about the built-in diagnostics (see **chapter 10, "Diagnostics Descriptions"**)
- Error message explanations (see **"General Information About Error Messages"** on **page 666**)

Instructions for troubleshooting Cellular Adapters are found in the Cellular Adapter's Assembly Level Repair manual.

---

## Repair Process

Repairing the Test Set consists of:

- Identifying the faulty instrument in the case of a Test System, (see **chapter 2, "Troubleshooting"** )
- Identifying the faulty assembly if the fault is in the Test Set, (see **chapter 2, "Troubleshooting"**)
- Ordering a replacement assembly (see **chapter 9, "Replaceable Parts"**)
- Replacing the faulty assembly (see **chapter 3, "Repair"**)
- Downloading calibration data (see **chapter 3, "Repair"**)
- Performing periodic calibration (see **chapter 4, "Calibration"**)
- Verifying Test Set performance (see **chapter 4, "Calibration"**)

---

## Calibration

The Test Set periodically requires some maintenance to assure that it meets its published specifications. Periodic calibration consists of running several built-in calibration programs. An external frequency standard and dc voltmeter are required. There are no screwdriver-type adjustments in the Test Set.

Run the Performance Tests at least once every two years. Run the Periodic Calibration procedures at least every two years (see **chapter 4, "Calibration"**).

Cellular Adapters may also require periodic calibration. See the Cellular Adapter's Assembly Level Repair manual for details.

Several assemblies, when replaced, require running specific periodic calibration procedures to create calibration factors for that assembly. In other cases, the calibration data will be included with the replacement assembly on a memory card. Instructions that come with the replacement assembly explain how to download the calibration data. (This is not considered part of periodic calibration.)

---

**NOTE:**

When troubleshooting the Test Set, it is sometimes desirable to swap a known-good assembly (perhaps from another Test Set) for a suspected-faulty assembly. If the swapped assembly requires calibration data, most assemblies will operate well enough with the original assembly's calibration data to troubleshoot and run the diagnostics. However, do not expect the Test Set to meet its specifications and note that some assemblies may appear to fail because of incorrect calibration data. For more details see "**Step 4 - Verify Test Set Functioning,**" in **chapter 2, on page 64.**

---



---

## Service Tools, Equipment and Documentation

### Tools

One or more of the following tools may be required to access and remove various internal assemblies within the Test Set.

- TX-10 Torx screwdriver
- TX-15 Torx screwdriver
- Flat blade screwdriver
- 4-mm allen wrench
- 7-mm socket wrench
- 1/16-inch allen wrench
- 3/16-inch socket wrench
- 5/16-inch open-end wrench

### Equipment

One or more of the following pieces of test equipment may be required to service various internal assemblies within the Test Set.

- Frequency Standard or Electronic Counter (see **chapter 4, "Calibration"**)
- DC Voltmeter (see **chapter 4, "Calibration"**)
- RF Assembly Extender Board: HP P/N 08920-60137 (see **chapter 4, "Calibration"**)

### Documentation

This manual is part of a set consisting of the following manuals:

- User's Guide
- Programmer's Guide
- IBASIC Reference
- Assembly Level Repair

## Self-Support Information

For U.S. customers that wish to repair their own Test Sets, a special toll-free number (1 800 827 3848) is now available for hardware troubleshooting assistance. This is a special service specifically designed for Hewlett-Packard customers that repair their own Test Sets. For a Test Set under warranty, there is no charge for troubleshooting assistance, and repair parts covered under warranty will be sent directly to the customer. If the Test Set is out of warranty, there will be a charge for parts.

The documentation supplied with your test set is an excellent source of reference, applications, and service information. Please use these manuals if you are experiencing technical problems.

If you have used the manuals and still have application questions, contact your local HP Sales Representative.

Repair assistance is available from the factory by phone and e-mail. Parts information is also available from Hewlett-Packard.

When calling for repair assistance, please have the following information ready:

- Instrument model number (892nX).
- Instrument Serial Number (tag located on the rear panel).
- Installed options - if any (tag located on the rear panel).
- Instrument firmwarerevision (displayed at the top of the screen when the Tes Set is powered up, and is also displayed on the CONFIGURE screen).

---

## Support Contacts

Troubleshooting and application assistance is available for the Test Set from the factory by phone and e-mail. Internal Hewlett-Packard users can contact the factory through HP Desk. Parts information is also available from Hewlett-Packard.

- Telephone
  - 1 800 827 3848 (Spokane Division Service Assistance, U.S. only)
  - 1 509 921 3848 (Spokane Division Service Assistance, International)
  - 1 800 922 8920 (Spokane Division Applications Assistance, U.S. only)
  - 1 800 227 8164 (HP Direct Parts Ordering, U.S. only)
  - 1 916 783 0804 (HP Service Parts Identification, U.S. & Intl.)
- Electronic mail (Internet): [spokane\\_service@spk.hp.com](mailto:spokane_service@spk.hp.com)

---

## Hardware and Firmware Enhancements

The hardware and firmware of these Test Sets are being enhanced on a continuous basis. Some hardware for these products can be upgraded by ordering specific retrofit kits (refer to the specific User's Guide for your Test Set). The firmware for these Test Sets has gone through several revisions to improve performance and fix problems. It is recommended that the firmware be upgraded to the latest revision whenever a Test Set is repaired or a performance problem is found. This is important if an assembly-level repair is performed because exchange assemblies, which may be of a later revision than the one being replaced, may require a later revision of the firmware to function correctly.



---

## Troubleshooting

This chapter tells how to troubleshoot the Test Set to isolate a problem to the defective assembly.

The troubleshooting is centered around the built-in diagnostics. Because the built-in diagnostics may be unable to pinpoint the assembly causing the failure, this manual contains supplementary information in the form of detailed diagnostics descriptions (see **chapter 10, "Diagnostics Descriptions"**) procedures, and suggestions for further manual troubleshooting.

The Test Set may be part of a Test System, that is, it may have a Cellular Adapter attached to it. You should disable the Cellular Adapter before troubleshooting the Test Set. If you suspect that the Cellular Adapter is faulty, it is recommended that you still verify the operation of the Test Set and then troubleshoot the Cellular Adapter using its own documentation.

## Four Basic Steps In Troubleshooting the Test Set

The following steps are recommended as an efficient way to troubleshoot the Test Set. It is advisable to document the outcome of each of these steps before contacting Hewlett-Packard for service assistance. The four steps are summarized as follows:

### **Step 1 - Disable the Cellular Adapter**

To troubleshoot the Test Set (bottom box), it is essential to isolate it from any Cellular Adapter (top box) that may be attached.

### **Step 2 - Run the Self-Test Diagnostic**

On power-up, the Test Set runs a Self-Test Diagnostic. Most of the Test Set's digital control functions are tested. The outcome of the test appears on the CRT (if operating) and on four LEDs under the top cover.

### **Step 3 - Run the Functional Diagnostics**

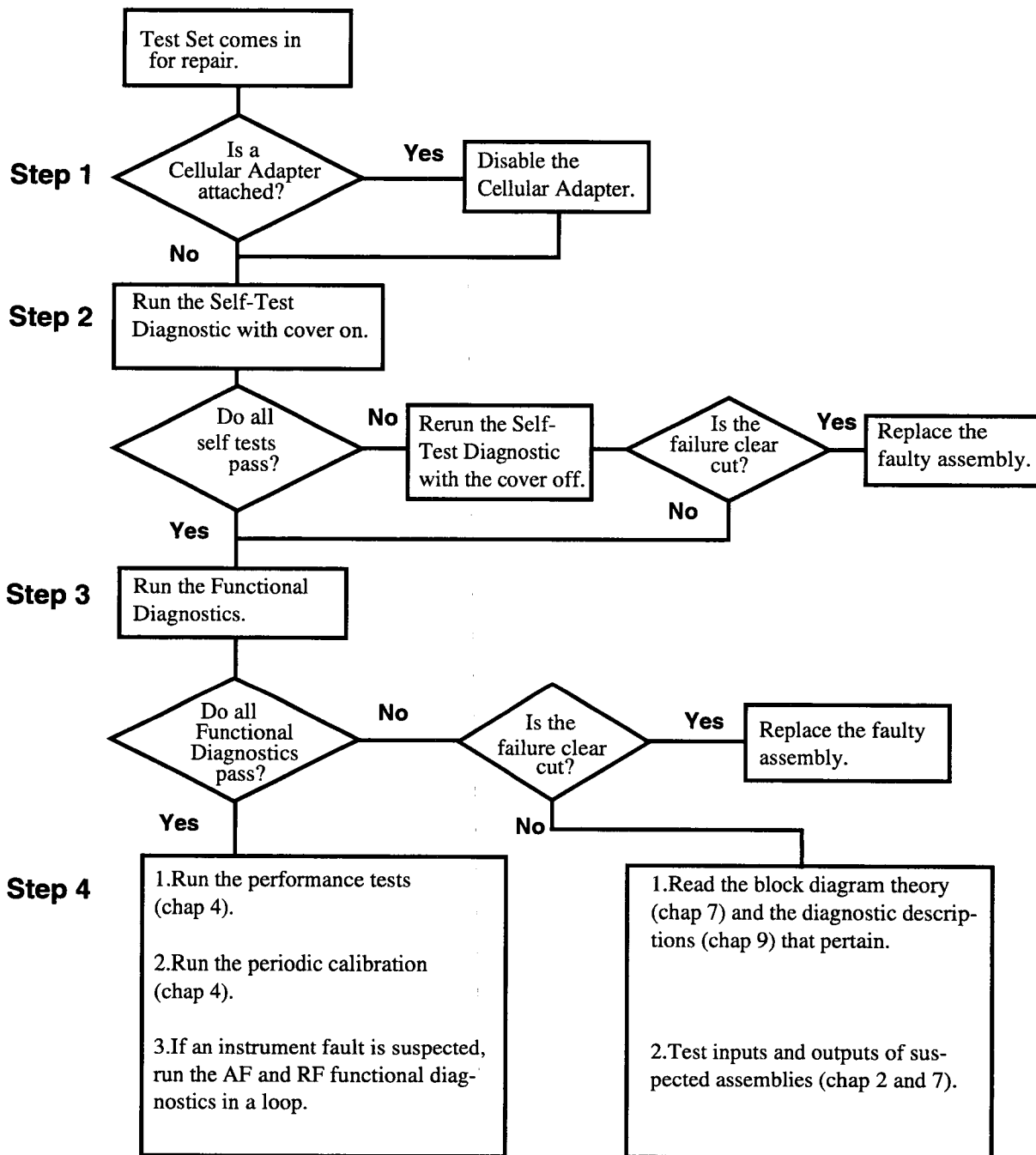
Running the Functional Diagnostics is a quick and convenient way to accumulate a lot of information about the operation of the Test Set.

### **Step 4 - Verify Test Set Functionality**

Suggestions of things to try include: running the Performance Tests, running certain periodic calibration procedures, emulating the application where the Test Set fails, swapping assemblies, etc.

The four steps are illustrated in **figure 2, "The Four Steps of Troubleshooting the Test Set," on page 60**. Instructions for performing these steps are given in this chapter. Explanation of the results is cross-referenced to other chapters in this manual.





**Figure 2** The Four Steps of Troubleshooting the Test Set

### **Step 1 - Disable the Cellular Adapter.**

If the Test Set has a Cellular Adapter attached, disable it as follows:

- Disconnect all of the rear-panel cables that connect the Test Set to the Cellular Adapter.
- Unplug the Cellular Adapter's power cord.
- On the Test Set's rear panel, connect a coaxial cable between the IQ RF IN and CW RF OUT connectors.

### **Step 2 - Run the Self-Test Diagnostic.**

If the Test Set has no Cellular Adapter or if the Cellular Adapter has been disabled, begin troubleshooting the Test Set by following these steps:

- Initiate the Self-Test Diagnostic by turning the Test Set on.
- After power-up, the top line of the Test Set's display should show: (1) the copyright date, (2) Hewlett-Packard Co., and (3) the firmware revision code.
- After power-up, the second line of the Test Set's display should show: **"All self tests passed ."**
- The Test Set should power-up to the RX TEST screen. (RX TEST is the default screen; however, the Test Set can be altered to power-up to some other screen.)

**If the Test Set powers up with the message "All self tests passed.":** Run the Functional Diagnostics as described in step 3 below. Also see "More About Step 3 - Run the Functional Diagnostics" on page 67, later in this chapter.

**If the Test Set powers up with an error condition:** see "More About Step 2 - Run the Self-Test Diagnostic" on page 65, later in this chapter.

### Step 3 - Run the Functional Diagnostics.

The Functional Diagnostics make a series of internal measurements which test the integrity of many of the circuits within the Test Set. There are three Functional Diagnostics. The first two (Audio and RF Diagnostics) can be run continuously in a loop after an initial setup. This is useful for trapping intermittent failures. The third diagnostic (Miscellaneous Diagnostics) requires a different setup for each test.

The Functional Diagnostics should be able to pinpoint faults in the audio and RF circuits to the faulty assembly. When a measurement is out of limits, the diagnostics post a message on the screen that suggests which assembly to replace and what the certainty is of that suggestion (low, medium, or high). Before ordering replacement parts (especially when the probability is medium or low) or if you have difficulty in understanding or running the Functional Diagnostics, see "More About Step 3 - Run the Functional Diagnostics" on page 67, later in this chapter. For a cross reference between Functional Diagnostic and assembly tested, see chapter 3, "Repair".

---

**NOTE:**

The measurement limits of the Functional Diagnostic tests are valid only at room temperature; that is, 20 to 25°C or 65 to 75°F.

---

To run the Functional Diagnostics.

- Press the PRESET key.
- Press the TESTS key.
- Set the **Select Procedure Location:** field to **ROM**.
- Set the **Select Procedure Filename:** field to:
  - **AFDIAGS2** or **AF\_DIAGS** (to run the Audio Diagnostics),
  - **RFDIAGS2** or **RF\_DIAGS** (to run the RF Diagnostics), or
  - **MSDIAGS2** or **MS\_DIAGS** (to run the Miscellaneous Diagnostics).
- Set **SET UP TEST SET:** field to **Exec**, then press the cursor control knob.

- **Set Output Results To:**
  - **Crt** to send the measurement information to the display only.
  - **Printer** to send the measurement information to both the display and to a printer. (The Test Set and the printer must both be configured correctly.)
- Set test execution conditions:
  - **On If Unit-Under-Test-Fails:** (this can be altered as the test runs)
    - **Continue** to keep running when a failure occurs.
    - **Stop** to pause when a failure occurs.
  - **On Test Procedure Run Mode** (this can be altered as the test runs)
    - **Continuous** to run the tests continuously.
    - **Single Step** to pause after each measurement.
- Select the **Run Test** field.
- Choose the test or tests you want to run by selecting **Up** or **Down** to move the pointer then choosing **Select**. (It is recommended to select **All Audio Tests** and **All RF Tests** when running the Audio and RF Diagnostics for the first time.)
- Follow the instructions on the screen.
- As the tests run, you can alter test execution conditions by selecting:
  - **Loop** to rerun the test continuously.
  - **Pause** to pause the running of the tests.
  - **Stp Fail**, that is, stop-on-failure to pause the tests when a failure is detected.
  - **Sgl Step**, that is, single-step to pause the test after each measurement.

**If all Functional Diagnostics pass:**

Verify the Test Set's functioning as described in step 4.

**If any Functional Diagnostic fails:** see "Step 3 - Run the Functional Diagnostics." on page 62.

## Step 4 - Verify Test Set Functioning

### Suggestions:

1. Run all or a selected group of the Performance Tests. See **chapter 4, "Calibration"**
2. Run selected Periodic Calibration procedures. See **chapter 4, "Calibration"**.
3. If the problem occurs on a few specific screen or screen combinations, check **table 2, "The Relationship Between Screens and Hardware"** on page 73.
4. Swap suspected assemblies with known-good ones. See **"Swapping Known-Good Assemblies"** on page 75 .

## More About Step 2 - Run the Self-Test Diagnostic

### If the Test Set powers up with the message:

**"All self tests passed."**, it is still possible to have the following digital problems:

- Intermittent failure in any digital assembly.
- A22 CRT Drive failure.
- Input or output failure on any I/O port of the A21 assembly (optional on some Test Sets).
- Key failure (other than stuck keys) on the A1 Keyboard.

If all Self-Test Diagnostic passes and the front-panel keys and knob work, you can assume that the digital control assemblies work.

### If the Test Set powers up with the message:

**"One or more self-tests failed. Error code:<hexadecimal error code>":** See "Description Of Self-Test Diagnostic" in chapter 10, "Diagnostics Descriptions" for further details on troubleshooting with the Self-Test Diagnostic.

If the error code is 1000 and a Cellular Adapter is present and enabled, the Cellular Adapter may be at fault. Disable the Cellular Adapter and run the Self-Test Diagnostic again.

### If the Test Set fails to power-up at all:

- If there is no image on the CRT, troubleshoot using **figure 3, "Troubleshooting the CRT Flowchart," on page 66.**
- If there is no image on the CRT or the Test Set appears to be locked up, the Test Set may be set to power-up to a custom procedure (rather than the default RX Test screen) and that procedure may have errors. (This is the Autostart feature which is initiated by setting **Autostart** to **On** from the TESTS screen.) Correct this fault by turning the power off, then hold down the MEAS RESET and Hz keys while switching the power back on. Note that this will erase all programs and Save Settings information in RAM.
- If the Test Set does not power-up properly but there seems to be signs of life, there is likely a digital control problem with one of the digital assemblies. It may be possible to run the Self-Test Diagnostic and read the test results through the diagnostic LEDs on the A7 Controller assembly. See "Description Of Self-Test Diagnostic" in chapter 10, "Diagnostics Descriptions" for details.

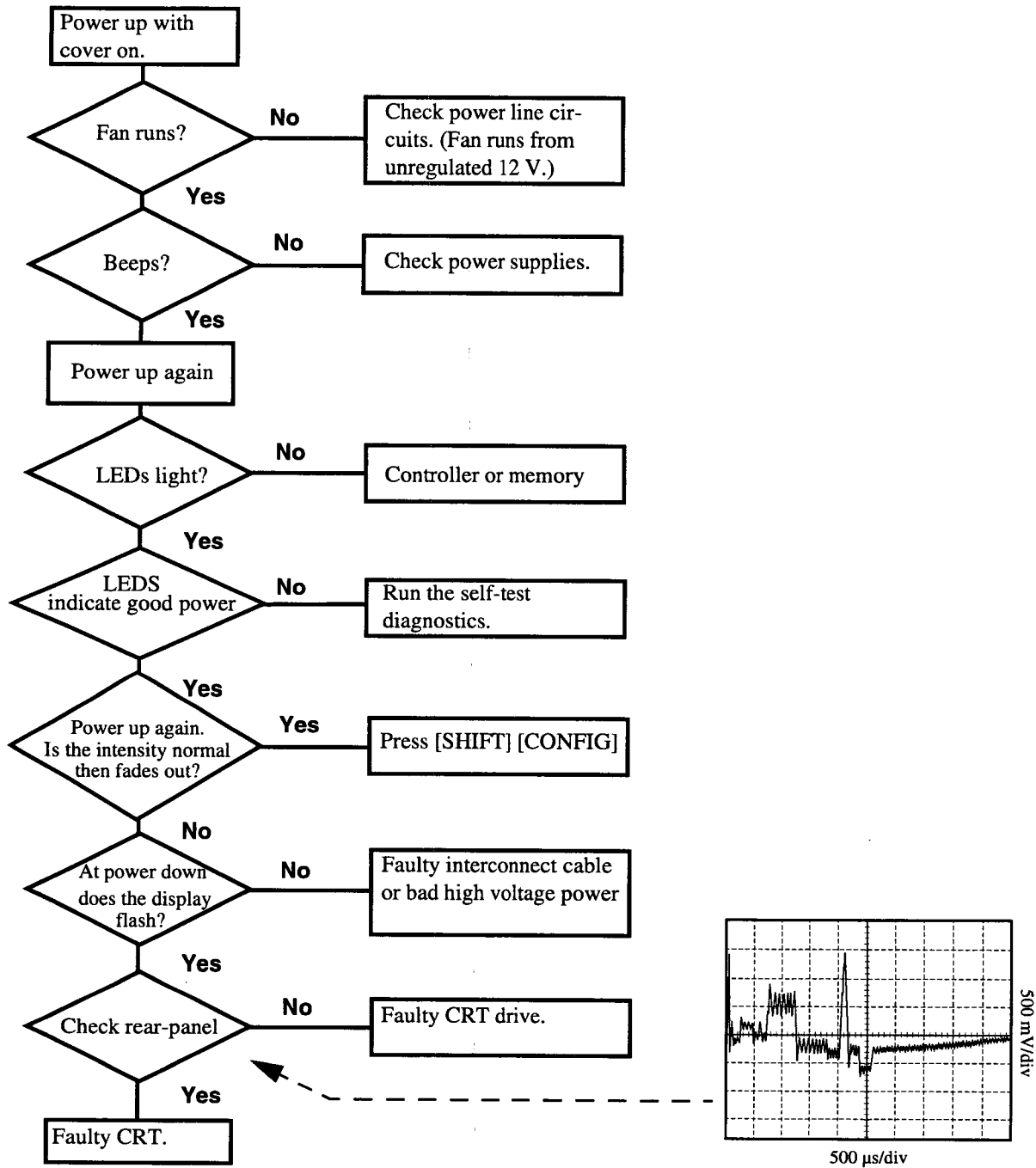


Figure 3 Troubleshooting the CRT Flowchart

---

## More About Step 3 - Run the Functional Diagnostics

### Memory Requirements

If the Test Set does not have 512 KBytes or more of extended RAM (optional in some Test Sets), there is a chance that the memory required to load and run the diagnostic program will overflow memory. This is particularly true of the RF Diagnostics. If there is a memory overflow, the error message **ERROR 2 Memory overflow** will appear possibly followed by other error messages. (Press SHIFT MSSG to review the messages.)

The Functional Diagnostics reside in the Test Set's firmware (that is, they are stored in ROM). When a Functional Diagnostic is selected, the program is first loaded into the Test Set's RAM and then it is run. The loading and running of the program both use RAM. This RAM is also shared with the Save Settings registers and a few other Test Set settings.

To run the diagnostics program when there is insufficient memory, RAM must first be cleared. **This will also clear the Save Settings registers**, and the register data cannot be stored elsewhere. The Test Set will also lose its TX Power Zero setting which can easily be re-acquired.

To clear RAM:

- Select the CONFIGURE screen by pressing SHIFT CONFIG.
- Move the cursor to SERVICE in the lower-right corner of the screen and press the knob.
- Move the cursor to Clear all RAM and restart at the bottom of the screen and press the knob.
- Press the YES key.
- Re-run the diagnostics program.

### USER Keys

USER keys provide the easiest method when making test selections. The default assignments for the USER keys on the TESTS screen match the positions of the selection fields in the upper-right corner of the screen. The key number precedes the field. However, key assignments are easily altered by the ASSIGN key.

If the USER keys do not match the selection fields, either reassign the keys or use the knob to place the cursor in front of the desired field and press the knob.



## Frequently Encountered Error Messages

Error messages that appear on the second line of the Test Set's display frequently occur while the Functional Diagnostics are running. The most complete and general list of error messages is in the *Error Messages* chapter of the Test Set's *User's Guide* and in the Test Set's *Programmer's Guide*. Some messages relating specifically to troubleshooting can be found in the *Error Messages* chapter of this manual. Some of the messages you can expect to occur while running the Functional Diagnostics are as follows:

Functional Diagnostics measurements commonly generate the message **"Direct latch write occurred. Cycle power when done servicing."** The message appears the first time the diagnostic program directly addresses a latch. The message should be ignored until you wish to make a normal (not a diagnostic) measurement with the Test Set. To clear this message the Test Set should be turned off and back on again.

The message **"Printer does not respond."** usually indicates that an HP-IB printer has been selected as the output destination on the **TESTS** screen and that the printer doesn't respond. Check that the printer is on and correctly cabled and addressed. (After a few seconds when the message times out, the output destination is changed to CRT by the program.)

The message **"Needs I/O to print."** indicates that a printer has been selected as the output destination on the **TESTS** screen but that there is no I/O port installed in the Test Set. (After the message times out, the output destination is changed to CRT by the program.)

Some error messages you might encounter when running the Functional Diagnostics are the following:

**"ERROR 173 IN XXXX Active/system controller req'd"** (where **"XXXX"** represents a line number) usually indicates that a printer has been selected as the output destination on the **TESTS** screen and that the controller Mode on the **I/O CONFIGURE** screen is set to **Talk&Lstn** instead of **Control**. Change the setting and run the diagnostic again.

## Timeouts

Certain failures may cause a frequency or voltage reading to timeout, that is, the time required for the measurement will be unreasonably long. If a timeout occurs, measurement execution will stop and an error message will be displayed.

- If frequency or voltage readings have been successfully made before the timeout, the assembly currently being tested or a multiplexer on the A19 Measurement Assembly may be at fault.
- If most measurements fail, the A15 Reference Assembly may be faulty in supplying clock signals to the A19 Measurement Assembly.
- Re-run the test to see if the timeout is intermittent.

## The Three Functional Diagnostics

The Functional Diagnostics are contained in three independent program files. Before ordering a replacement assembly based on the diagnostics, you should read the descriptions of the diagnostic tests. See **chapter 10, "Diagnostics Descriptions"** also see **chapter 8, "Block Diagrams"**.

### Audio Diagnostics (AF\_DIAGS or AFDIAGS2)

This program tests the audio functions of the following assemblies:

- A2 Audio Analyzer 2
- A3 Audio Analyzer 1
- A4 Modulation Distribution
- A6 Signalling Source/Analyzer (AF Generators 1 and 2 only)
- A19 Measurement (only a few selected inputs)

After initial cabling, all tests can be run in a loop without further intervention. This makes it easier to catch intermittent failures. The measurement limits of these tests are valid only when operated at nominal room temperature.

When a test fails, a diagnosis is given in three parts:

- A diagnostic code.
- The name of the assembly or assemblies most likely to have failed.
- A rating (high or low) of the confidence of the diagnosis.

Before ordering an assembly based on the diagnosis, you should read the description of the diagnostic test and details of the diagnosis based on the diagnostic code. See **chapter 10, "Diagnostics Descriptions"**. Also see **chapter 8, "Block Diagrams"**.

### **RF Diagnostics (RF\_DIAGS or RFDIAGS2)**

This program tests the RF functions of the following assemblies:

- A11 Receiver Mixer
- A13 Output
- A14 Signal Generator Synthesizer
- A15 Reference
- A16 Receiver
- A17 Receiver Synthesizer
- A18 Spectrum Analyzer (optional in some Test Sets)
- A23 Input

Some test selections require initial cabling before running the RF Diagnostics; but all tests can be run in a loop without further intervention. This makes it easier to catch intermittent failures. The measurement limits of these tests are valid only when operated at room temperature.

When a test fails, a diagnosis is given in two parts:

- The name of the assembly or assemblies most likely to have failed.
- A rating (high, medium, or low) of the confidence of the diagnosis.

The diagnosis given by the RF Diagnostics should be verified by other means before ordering and replacing parts. This particularly applies to the Spectrum Analyzer, Receiver, and Receiver Mixer assemblies. Some suggestions for doing this are as follows:

- Become familiar with the block diagram and theory of operation of the assemblies in see **chapter 8, "Block Diagrams"**.
- Read the description of the diagnostic test in see **chapter 10, "Diagnostics Descriptions"**.
- Follow the suggestions in *Further Isolating RF Failures* in this chapter.

**Miscellaneous Diagnostics (MS\_DIAGS or MSDIAGS2)**

This program verifies the following:

- The ability of the A15 Reference to detect the presence of an external reference connected to the rear-panel 10 MHz REF INPUT connector and whether it can lock to that signal.
- The integrity of the front-panel RF IN/OUT, DUPLEX OUT and ANT IN connectors.
- The Self-Test Diagnostics, and power supply voltages. The Self-Test Diagnostic is described in detail see "**Description Of Self-Test Diagnostic**" in chapter 10, "**Diagnostics Descriptions**".

Note that the Miscellaneous Diagnostics cannot be run in a loop.

Before ordering a replacement assembly based on the diagnostics, you should read the description of the diagnostic test. See chapter 10, "**Diagnostics Descriptions**". Also see chapter 8, "**Block Diagrams**".

## More About Step 4 - Verify Test Set Functioning

### Relating Test Set Functions To Hardware

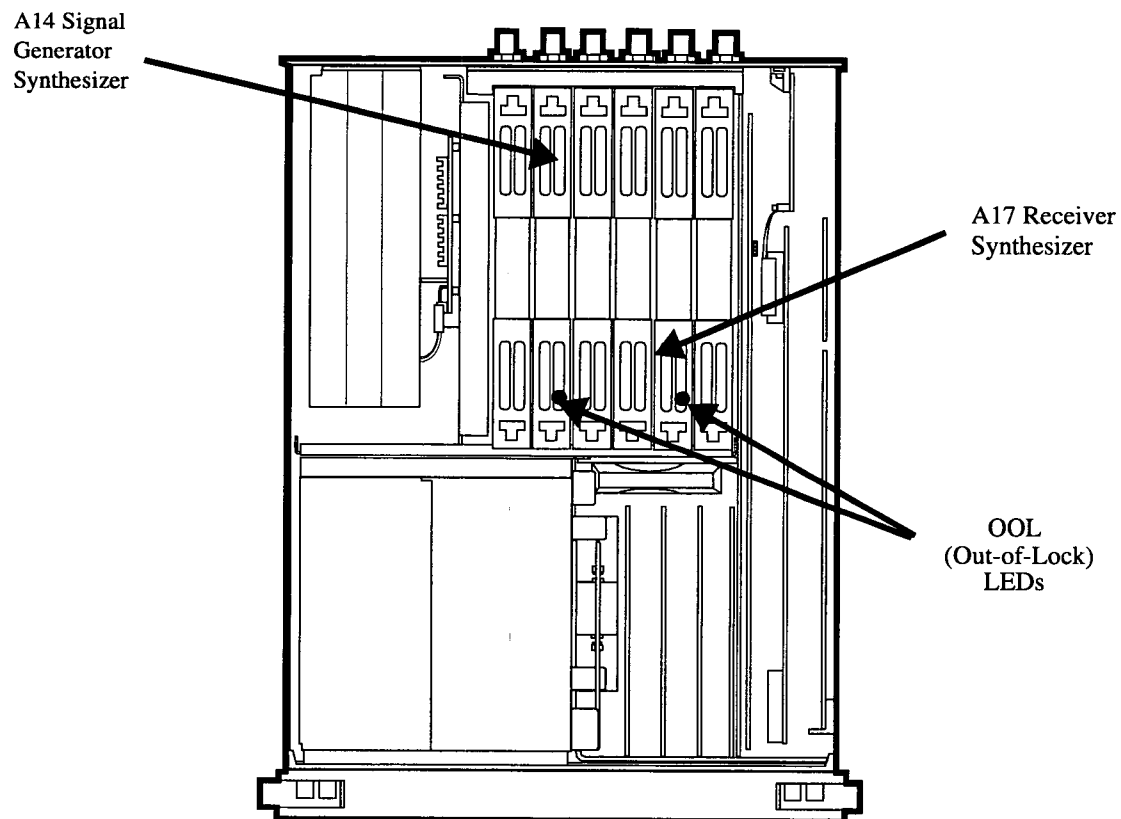
Table 2 relates the simplified block diagram to the Test Set's control and display screens:

**Table 2** The Relationship Between Screens and Hardware

Screen	Hardware Block					
	AF Analyzer	AF Generator	RF Analyzer	RF Generator	Spectrum Analyzer	Digital
RX TEST	X	X		X		X
TX TEST	X	X	X			X
DUPLEX TEST	X	X	X	X		X
RF GENERATOR				X		X
RF ANALYZER			X			X
AF ANALYZER	X					X
OSCILLOSCOPE	X					X
SPECTRUM ANALYZER			X		X	X
ENCODER		X				X
DECODER	X					X
RADIO INTERFACE						X
CONFIGURE						X

### Out-of-Lock (OOL) Detectors

Two out-of-lock LEDs, one located on the A14 Signal Generator Synthesizer and the other on the A17 Receiver Synthesizer are found within the Test Set. The LEDs light when the phase-lock loops are not locked and therefore not functioning properly. The location of the LED annunciators is shown in figure 4, "Location of the Out-of-Lock Annunciators," on page 74.



**Figure 4** Location of the Out-of-Lock Annunciators

### Swapping Known-Good Assemblies

Swapping a known-good assembly for a suspected faulty assembly must be performed with good judgement. Most swapped assemblies, which use calibration data, will operate well enough with the original assembly's calibration data to troubleshoot and to run the diagnostics. Do not expect the Test Set to meet its specifications. Some assemblies may appear to fail because of incorrect calibration data. It is also important to keep track of which assemblies are in the Test Set. If calibration data is lost, the assembly will have to be sent back to the factory.

Calibration data is generally stored in a socketed EEPROM on the A7 Controller. If the Controller is replaced or swapped, the original EEPROM must be in the Test Set's Controller. Should the EEPROM lose its data, the entire instrument will require a factory recalibration.

The assemblies that require down-loaded calibration data from a memory card are:

- A11 Receiver Mixer
- A13 Output
- A14 Signal Generator Synthesizer
- A15 Reference
- A16 Receiver
- A17 Receiver Synthesizer
- A18 Spectrum Analyzer (optional in some Test Sets)
- A19 Measurement
- A21 HP-IB/RS-232/Current Sense (optional in some Test Sets)
- A23 Input Section
- A24 High Power Attenuator

Of these assemblies the A23 Input Section is the least likely to simulate a working assembly without its own calibration data.

The A18 Spectrum Analyzer may also pose difficulties. The Spectrum Analyzer can be checked by measuring the Tracking Generator ported to the DUPLEX OUT and connected to the ANT IN. Make the check with the center frequency set to 501 MHz and a span of 1 GHz.



Some assemblies require that a periodic calibration procedure be run. These are:

- A2 Audio Analyzer 2 (variable-frequency notch filter null if present)
- A3 Audio Analyzer 1 (DC offset)
- A4 Modulation Distribution (DC offset, external amplifier gain)
- A15 Reference (time base frequency)
- A19 Measurement (voltage references)

For general troubleshooting, these assemblies can generally be swapped without an immediate need of recalibration.

### Further Isolating RF Failures

Isolating failures in the RF assemblies of the Test Set is generally more difficult than for the rest of the instrument. One problem is that the RF Diagnostics sometimes use the built-in RF analyzer to test the built-in RF source, and vice versa. This is necessary to make the diagnostics self-contained, that is, they run without external equipment.

Before using the helps in this section, run the RF Diagnostics in their entirety. (See "Step 3 - Run the Functional Diagnostics." on page 62, earlier in this chapter.) It will also be helpful to become familiar with:

- the RF source and analyzer block diagrams and theory of operation in **chapter 8, "Block Diagrams"**.
- the description of the RF and Miscellaneous Diagnostic tests in **chapter 10, "Diagnostics Descriptions"**.

Some general-purpose, RF test equipment will be needed:

- RF signal generator
- RF modulation analyzer or spectrum analyzer.

### Isolating Input and Output Failures

If all RF diagnostic tests pass, there could still be a problem with the input and output paths (including reverse-power and overpower protection). Run the Miscellaneous Diagnostics test titled RF Input Output Test. A failure indicates that the Input Section or front-panel connection is faulty.

### Isolating the RF Analyzer

The RF Analyzer includes the following assemblies. (Refer to block diagrams 3 and 4 in chapter 8, "Block Diagrams".)

- A23 Input Section
- A11 Receiver First Mixer
- A16 Receiver
- A17 Receiver Synthesizer
- A18 Spectrum Analyzer (optional on some Test Sets)

To isolate the RF Analyzer:

- On the Test Set:
  - Press PRESET.
  - Press TX.
  - Set **Tune Mode** to **Manual**.
  - Set **Tune Freq** to **100 MHz**.
  - Set **Input Port** to **Ant**.
- On the external RF signal generator:
  - Set the frequency to 100 MHz CW.
  - Set the amplitude to 0 dBm.
  - Connect the output to the Test Set's ANT IN connector.
- Set the RF signal generator frequency to 100, 500, and 900 MHz. For each frequency, the TX TEST display on the Test Set should read as follows:
  - TX POWER should read approximately 0.001 W for each frequency.
  - TX FREQUENCY should read 100, 500, and 900 MHz respectively.
  - If the Test Set has a Spectrum Analyzer, temporarily select SPEC ANL and note the level and frequency of the signal's fundamental component. (Press TX to return to the TX TEST screen.)

Refer to block diagram BD4 in chapter 8, "Block Diagrams". The down-conversion frequencies for the three input frequencies are shown in the following table.

**Table 3                      The Relationship Between Screens and Hardware**

Input Frequency (MHz)	First LO Frequency (MHz)	IF From First Mixer (MHz)
100	714.3	614.3
500	614.3	114.3
900	785.7	114.3

#### Isolating the RF Source

The RF Source includes the following assemblies. Refer to block diagrams BD3 and BD4 in chapter 8, "Block Diagrams".

- A15 Reference
- A14 Signal Generator Synthesizer
- A13 Output Section
- A23 Input Section

To isolate the RF Source:

- On the Test Set:
  - Press PRESET.
  - Press RX.
  - Set **RF Gen Freq Mode** to **600 MHz**.
  - Set **Amplitude** to **0 dBm**.
  - Set **Output Port** to **Dupl**.
- On the external RF modulation analyzer or spectrum analyzer:
  - Set the tuning for a 600 MHz 0 dBm input signal.
  - Connect the input to the Test Set's DUPLEX OUT connector.
- Set the Test Set's generator frequency to 600, 300, and 150 MHz. For each frequency, the external RF analyzer should read as follows:
  - Power should read approximately 0.001 W for each frequency.
  - Frequency should read 600, 300, and 150 MHz respectively.



---

**3**

---

**Repair**

---

## Introduction

Repair of a Test Set (or Test System) is straightforward. It involves troubleshooting a problem to an assembly by running diagnostics and then replacing the defective assembly. This section contains tools required, hints, and drawings to help you perform these tasks effectively. Detailed step-by-step procedures are not given. A procedure for downloading calibration data is also included in this section.

---

**CAUTION:** Perform the following procedures only at a static-safe work station. The printed circuit assemblies in this instrument are sensitive to **STATIC ELECTRICITY DAMAGE**. Wear an anti-static wrist strap that is connected to earth ground.

---

## Recommended Torque

- Screws: Tighten until just snug. Do not to strip threads.
- RF connectors
  - SMA: 9.0 lb-in. (102 N-cm)
  - SMC: 6.0 lb-in. (68 N-cm)
- Nuts holding semi-rigid coax to motherboard: 6.0 lb-in. (68 N-cm)

---

## Downloading Calibration Data

Most assemblies in the Test Set require calibration data. To insure that the Test Set remains calibrated after an assembly is replaced, new calibration data must be downloaded. Depending on the vintage and model number of the Test Set this may be done with either an 'Epson-style' memory card (early HP 8920As and 8921As) or a PCMCIA memory card (HP 8920Bs). Newer Test Sets can, when powered-up, automatically download calibration data directly from assemblies with on-board calibration data.

Instructions for downloading calibration data are listed below. They are also included with a replacement assembly.

- Switch the Test Set's power off. Remove the original assembly.
- Install the replacement assembly. Switch the Test Set's power on.
- Insert the memory card (Epson-style or PCMCIA) into the Test Set.
- Press the TESTS key.
- Set the **Select Procedure Location:** field to **Card**.
- Set the **Select Procedure Filename:** field to: **DNLDCAL**.
- Press the k1 (Run Test) key.
- Follow the instructions on the screen.

## Troubleshooting Aids for Assemblies

Refer to following table to determine out which Diagnostic Tests, Performance Tests, and Periodic Self Calibration adjustments apply to an assembly you have replaced.

**Table 4** Relating Assemblies To Troubleshooting Aids

Ref. Des.	Assembly Name	Troubleshooting with Diagnostics (Chap 2)		Performance Tests (Chap 4)	Periodic Self Cal (Chapt4)	Cal Data Needed After Replacement ?
		Power-Up Self Tests <sup>a</sup>	ROM			
A1	Keyboard	X	MS_DIAGS: (Self Test)			NO
A2	Audio Analyzer 2		AF_DIAGS: (Audio Analyzer 2)	AF Analyzer (AC Voltage Accuracy)	Variable Frequency Notch Filter	YES, E <sup>b</sup>
A3	Audio Analyzer 1		AF_DIAGS: (Audio Analyzer 1 Internal Paths)		Audio Analyzer Offset	NO
A4	Modulation Distribution		AF_DIAGS: (Mod Distribution Internal Paths)	AF Generator: (AC Level Accuracy)	AF Gen Gain EXT Mod Path Gain	NO
A5	Serial I/O	X	MS_DIAGS: (Self Test)			NO
A6	Signaling Source Analyzer	X	AF_DIAGS: (Audio Frequency Generators 1 and 2)			NO



**Table 4 Relating Assemblies To Troubleshooting Aids (Continued)**

Ref. Des.	Assembly Name	Troubleshooting with Diagnostics (Chap 2)		Performance Tests (Chap 4)	Periodic Self Cal (Chapt4)	Cal Data Needed After Replacement ?
		Power-Up Self Tests <sup>a</sup>	ROM			
A7	Controller	X	MS_DIAGS: (Self Test)			NO
A8	Memory	X	MS_DIAGS: (Self Test)			NO
A9	Power Supply		MS_DIAGS: (Self Test)			NO
A10	Power Supply Regulator		MS_DIAGS: (Self Test)			NO
A11	Receiver Mixer		RF_DIAGS: (Receiver)			YES, E <sup>b</sup> , P <sup>c</sup>
A12	Radio Interface (Opt. 020)		MS_DIAGS: (Self Test)			NO
A13	Output		RF_DIAGS: (Output)	AF Generator: (AM Accuracy)		YES, E <sup>b</sup> , OB <sup>c</sup>
A14	Sig Gen Synthesizer		RF_DIAGS: (Signal Generator Synthesizer)	RF Generator: (Harmonic and Spurious Spectral Purity)		YES, E <sup>b</sup> , OB <sup>c</sup>
A15	Reference		RF_DIAGS: (Reference)	RF Generator: (Residual FM)	Timebase Reference	YES, E <sup>b</sup> , OB <sup>c</sup>
A16	Receiver		RF_DIAGS: (Receiver)	RF Analyzer: (AM Accuracy and FM Accuracy)		YES, E <sup>b</sup> , OB <sup>c</sup>
A17	Receiver Synthesizer		RF_DIAGS: (Receiver Synthesizer)	RF Analyzer: (Residual FM)		YES, E <sup>b</sup> , OB <sup>c</sup>

**Table 4 Relating Assemblies To Troubleshooting Aids (Continued)**

Ref. Des.	Assembly Name	Troubleshooting with Diagnostics (Chap 2)		Performance Tests (Chap 4)	Periodic Self Cal (Chapt4)	Cal Data Needed After Replacement ?
		Power-Up Self Tests <sup>a</sup>	ROM			
A18	Spectrum Analyzer (Opt. 102)		RF_DIAGS: (Spectrum Analyzer)	Spectrum Analyzer		YES, E <sup>b</sup> , P <sup>c</sup>
A19	Measurement <sup>d</sup>	X	MS_DIAGS: (Self Test)	Oscilloscope	Voltmeter-Reference	YES, E <sup>b</sup> , P <sup>c</sup>
A20	CRT Drive	X	MS_DIAGS: (Self Test)			NO
A21	HP-IB/RS-232/Current Sense (Opt. 103)	X	MS_DIAGS: (Self Test)			YES, E <sup>b</sup> , P <sup>c</sup>
A22	CRT					NO
A23	Input Section		RF_DIAGS: (Input)	RF Generator (Level Accuracy)		YES, E <sup>b</sup> , P <sup>c</sup>
A24	High Power Attenuator		MS_DIAGS: (RF Input/Output)			YES, E <sup>b</sup> , P <sup>c</sup>
A25	Motherboard					NO
A26	Terminator <sup>e</sup>					NO

a. Besides checking the assemblies marked X, the power-up self test checks the serial data lines which the controller uses to send control signals to and receive status signals from the RF and AF assemblies.

b. HP 8920A and 8921A: E=Epson-style smart card.

c. HP 8920B: P=PCMCIA-style smart card, OB=EEPROM on board.

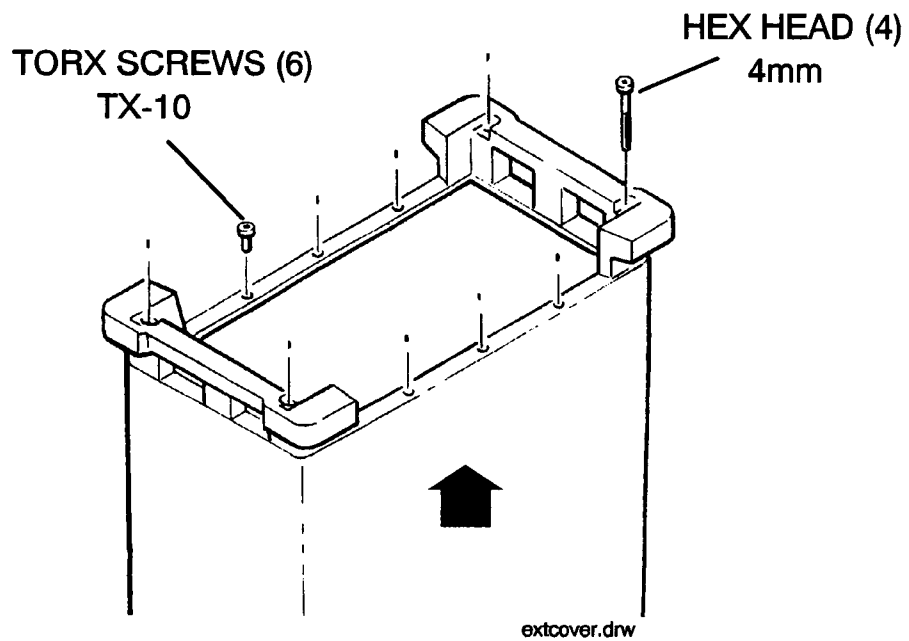
d. Measurement board checked indirectly by all diagnostics.

e. A26 is a 50Ω termination that plugs into the A18 Spectrum Analyzer slot of a test set that does not have a Spectrum Analyzer.

---

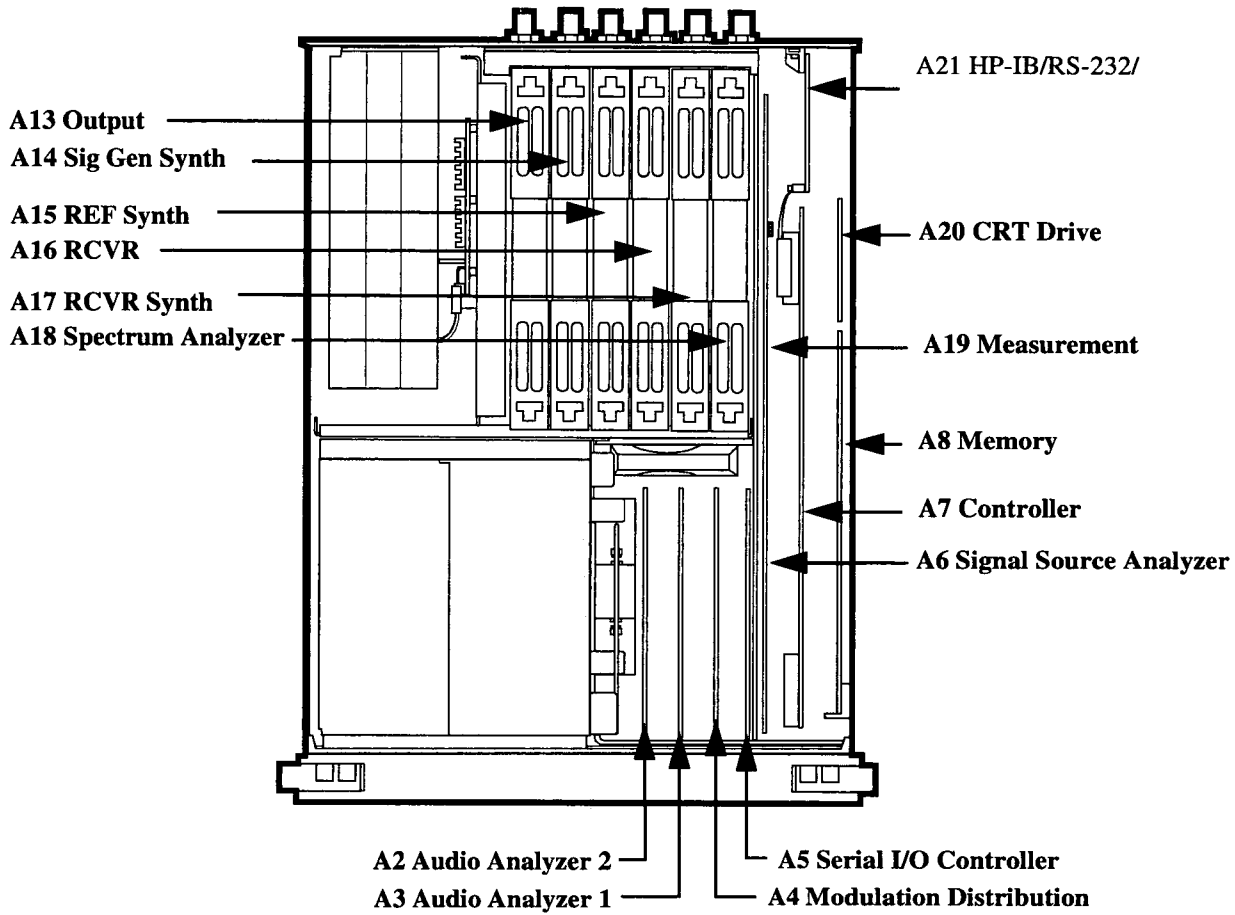
## Disassembly and Replacement Procedures

Ordering Replacement Parts: See chapter 9, "Replaceable Parts".



Remove Torx screws. Loosen hex head screws.  
Stand Test Set on its front and remove cover.  
Note: Bumpers are attached to cover.

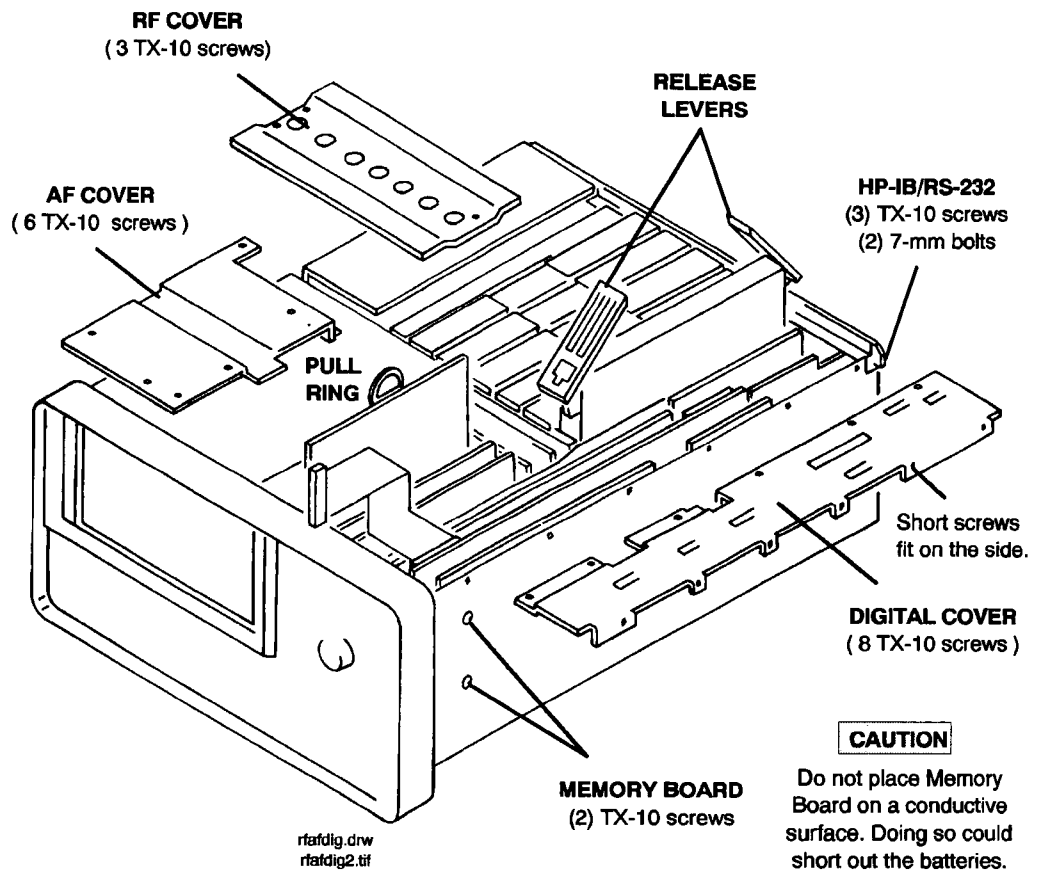
**Figure 5**                      **Removing External Cover**



**Figure 6** AF, Digital, and Most RF Assemblies

**TOOLS REQUIRED**

- TX-10 Torx head screwdriver.
- 7-mm wrench

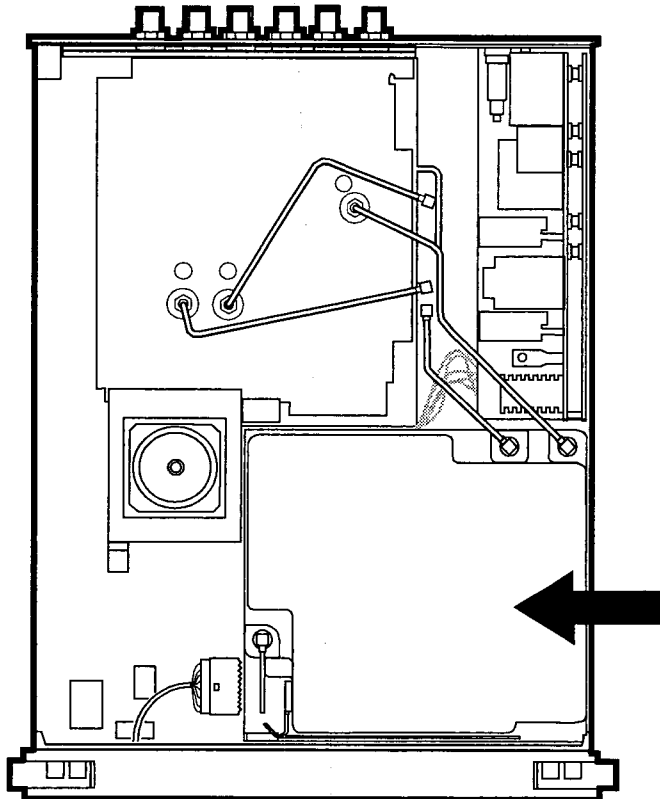


**Figure 7** Internal Covers

Ordering Replacement Parts: see chapter 9, "Replaceable Parts".

---

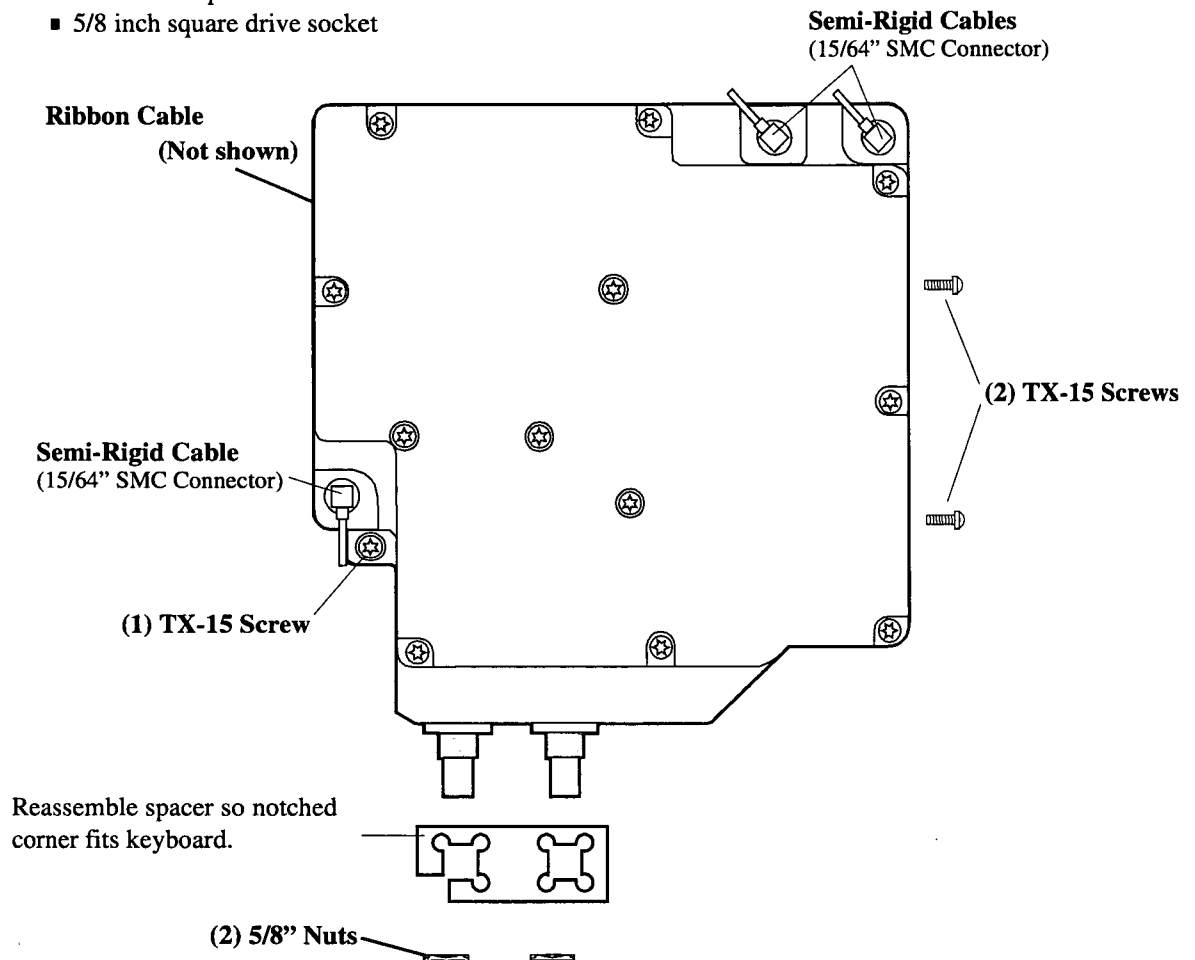
## A23 RF Input Assembly



**Figure 8**      **A23 RF Input Assembly**

**Tools Required**

- TX-15 Torx head screwdriver
- 15/64 inch open end wrench
- 5/8 inch square drive socket



Ordering Replacement Parts: see chapter 9, "Replaceable Parts".

Calibration Data: The Test Set requires new cal data when the Input section is replaced. A cal data memory card comes with the replacement assembly.

---

## **A1 Front Panel (includes keyboard)**

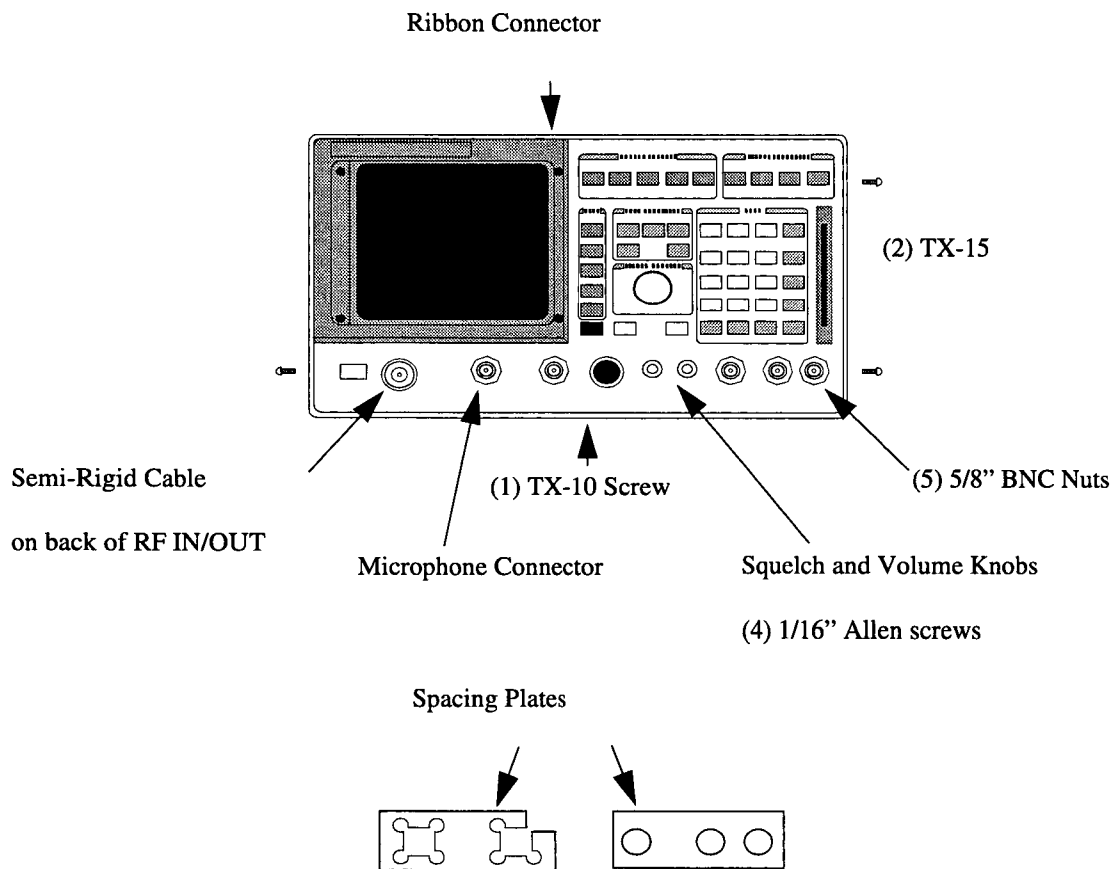
**Hints:** The A1 Keyboard assembly is held to the front panel by TX-10 screws and the cursor control knob. Use a 1/16-inch allen wrench to remove the knob.

**Ordering Replacement Parts:** see **chapter 9, "Replaceable Parts"**.



**TOOLS REQUIRED**

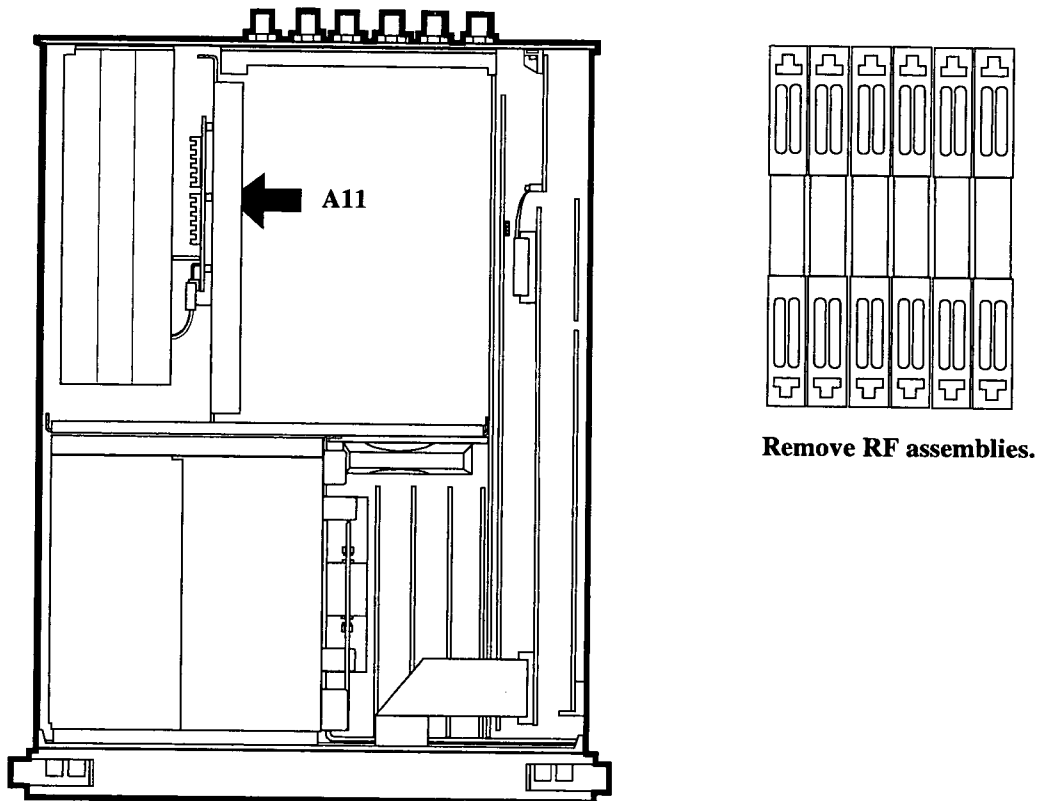
- TX-15 Torx head screwdriver
- TX-10 Torx head screwdriver
- 1/16 inch allen wrench
- 5/16 inch open end wrench
- 5/8 inch nut driver



**Figure 9**      **Front Panel**

---

## A11 Receiver Mixer



**Figure 10**

**A11 Receiver Mixer**

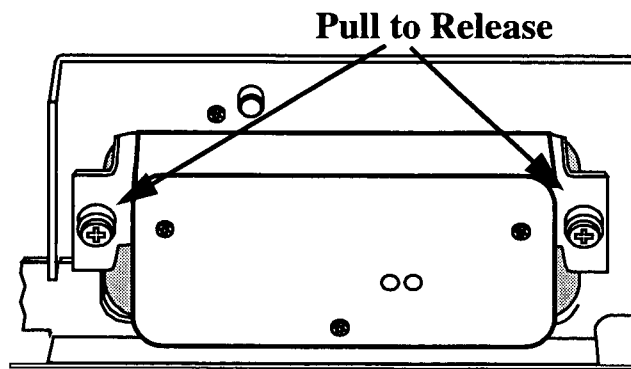
Hints: To identify specific RF assemblies see **figure 6, "AF, Digital, and Most RF Assemblies,"** on page 86.

Ordering Replacement Parts: see **chapter 9, "Replaceable Parts"**.

Calibration Data: The Test Set requires new cal data when the Receiver Mixer assembly is replaced. A cal data memory card comes with the replacement assembly.

**Tools Required**

- 15/64 inch open end wrench (for RF cable connectors)
- TX-10 Torx head screwdriver

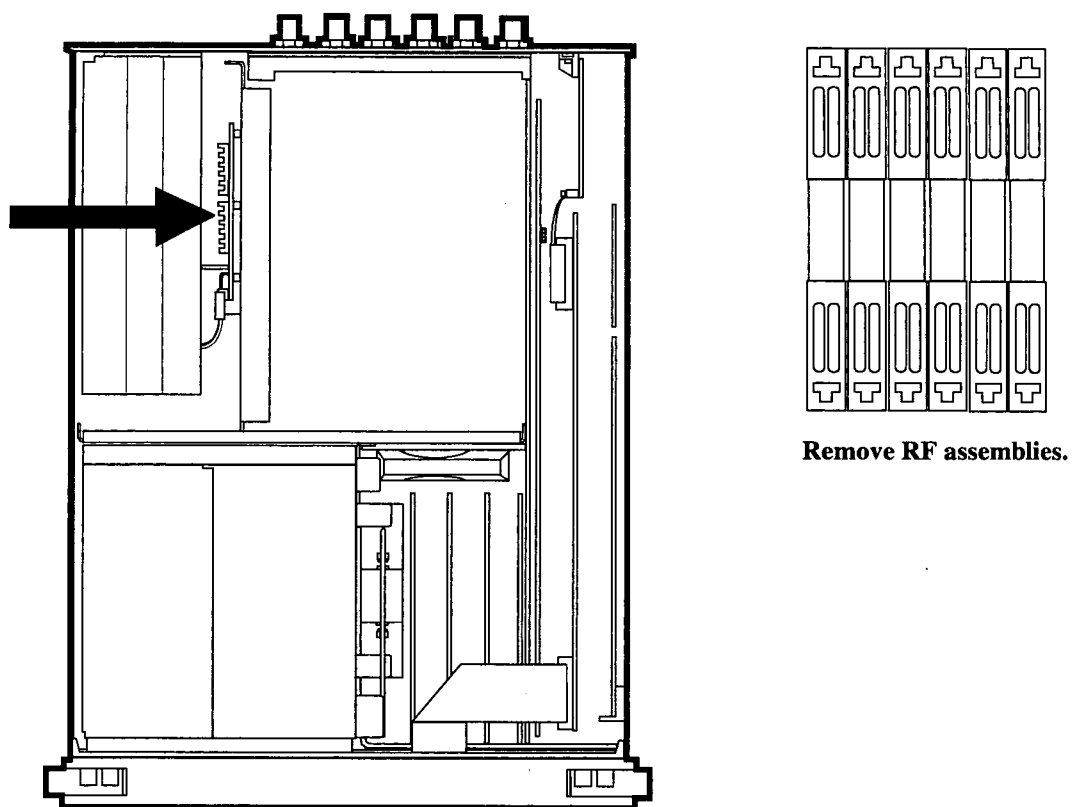


Disconnect (3) RF cables and the red wire that connects to the Regulator assembly.

(RF cables are accessed from the bottom of the Test Set.)

---

## A10 Power Supply Regulator



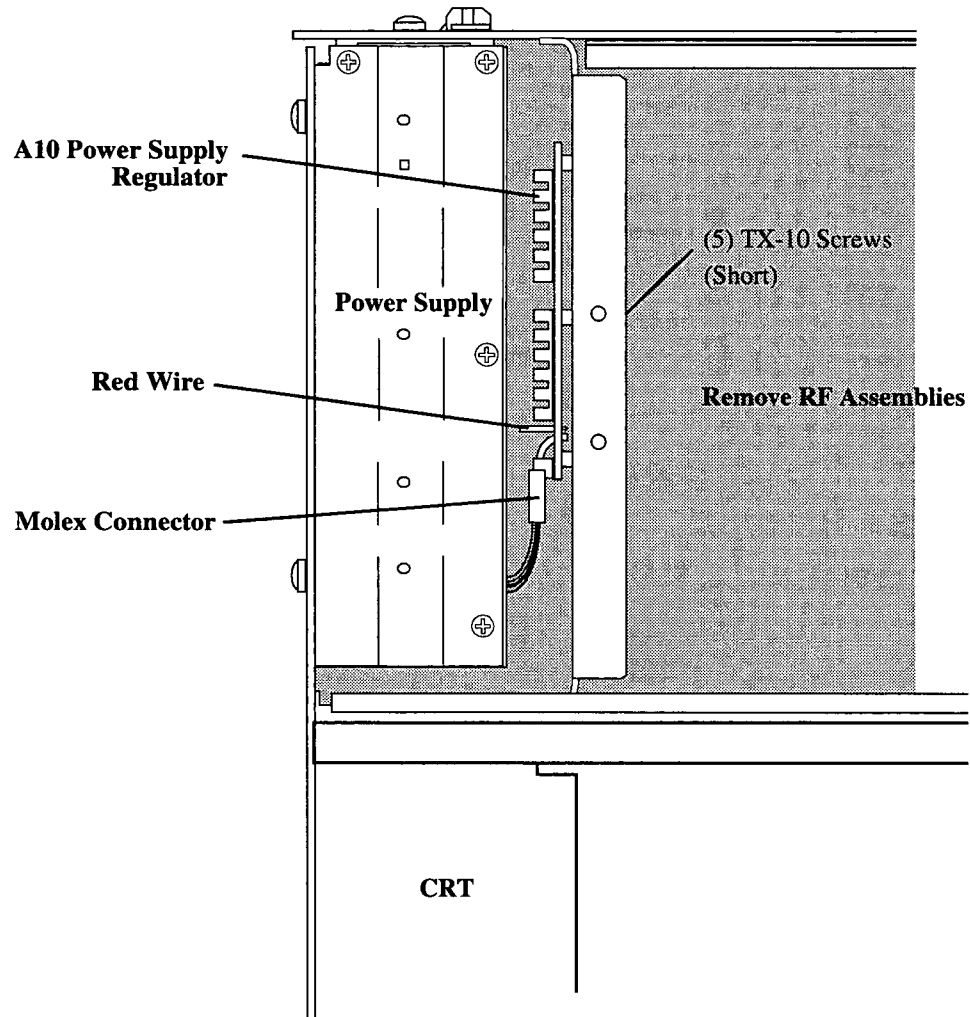
**Figure 11**      **A10 Power Supply Regulator**

Hints: To identify specific RF assemblies see figure 6, "AF, Digital, and Most RF Assemblies," on page 86.

Ordering Replacement Parts: see chapter 9, "Replaceable Parts".

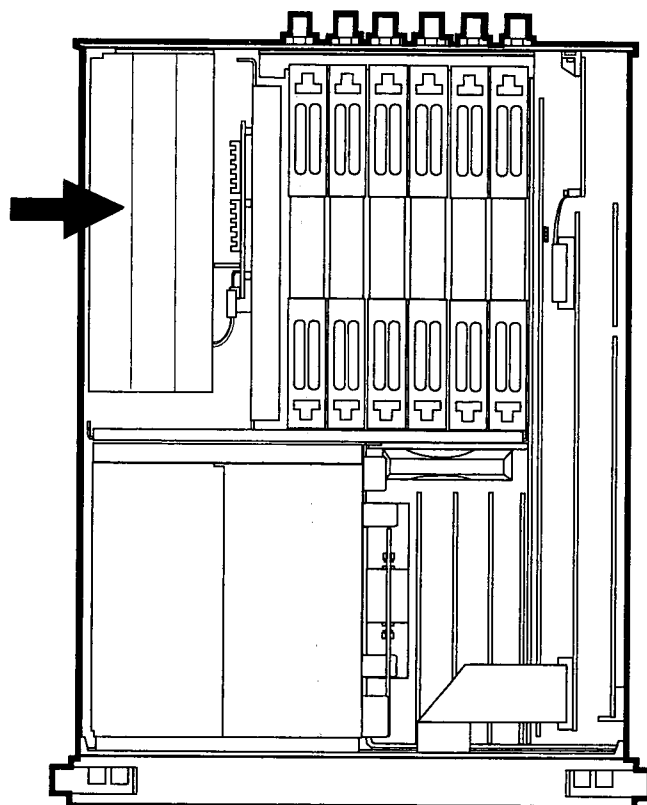
### Tools Required

- TX-10 Torx head screwdriver



---

## A9 Power Supply



**Figure 12** A9 Power Supply

Use the following sequence to remove the Power Supply:

1. Remove the Input assembly (see **figure 8, "A23 RF Input Assembly,"** on page 88).
2. Pull the POWER switch shaft forward from the power supply, then pull it out back toward the rear of the Test Set.
3. Remove the screws and molex connector.
4. Slide the power supply out from the bottom of the Test Set.

Ordering Replacement Parts: see **chapter 9, "Replaceable Parts"**.

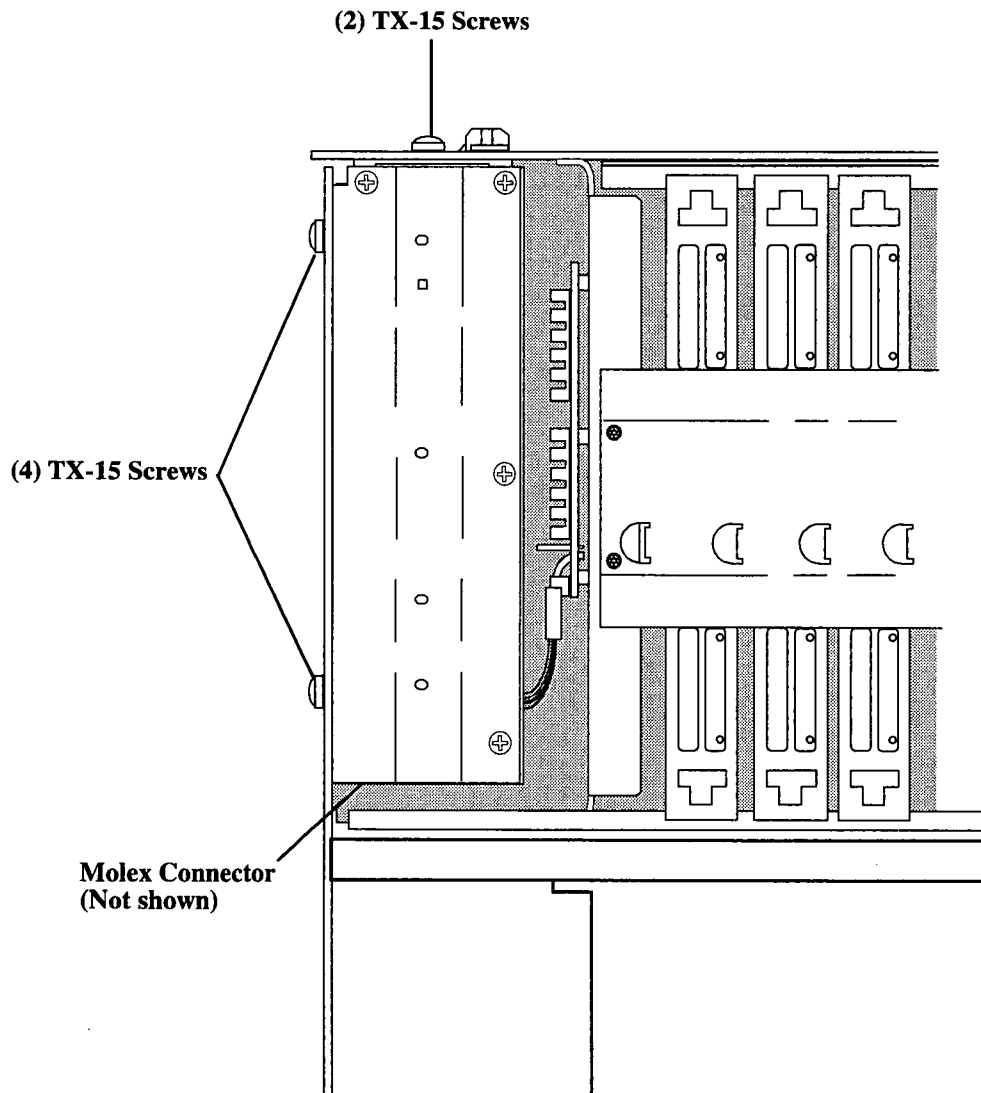


Figure 13 (upper left corner of test set)

## A25 Motherboard

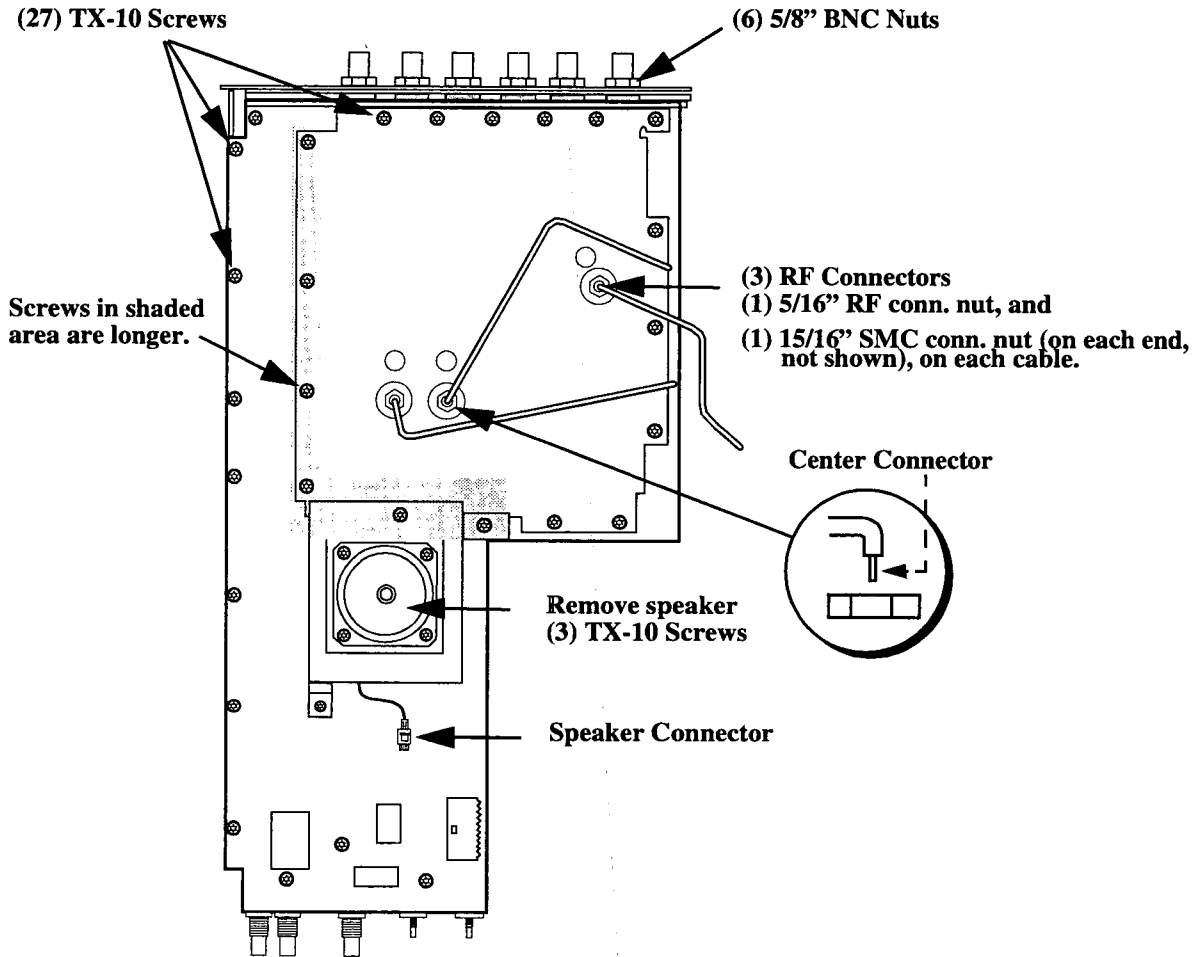


Figure 14

A25 Motherboard



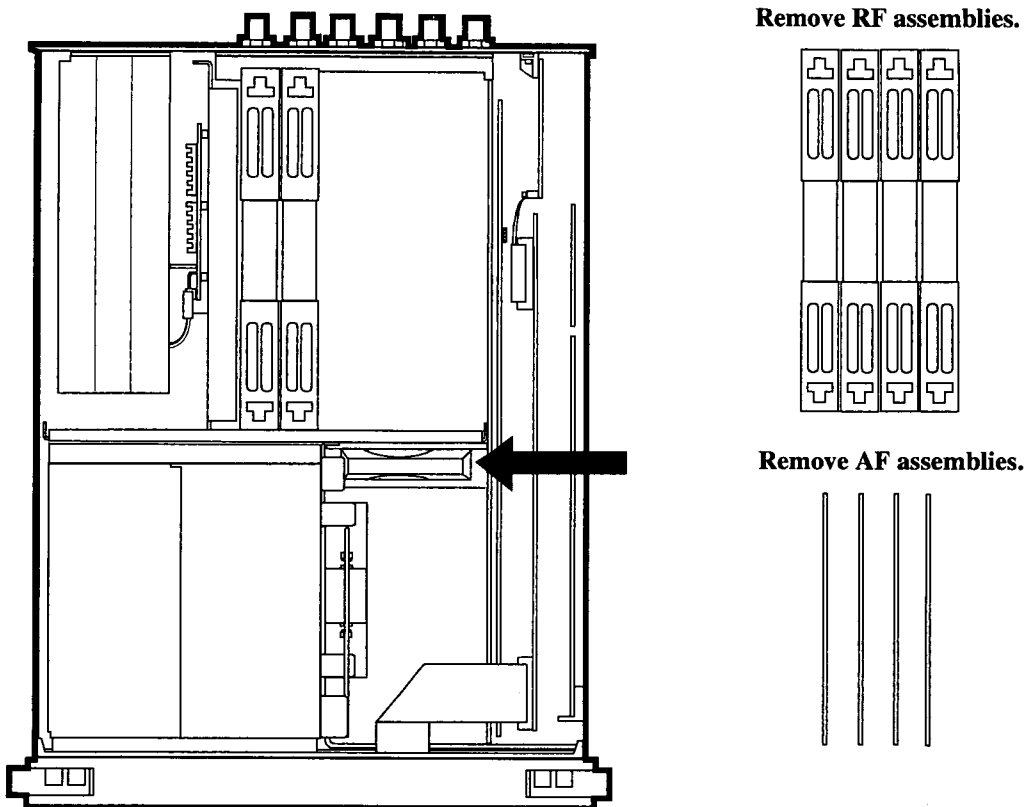
Use the following sequence to remove the motherboard:

1. Remove all RF, AF, and digital assemblies that plug in to the motherboard (see **figure 6, "AF, Digital, and Most RF Assemblies," on page 86**).
2. Remove the RF cables on the bottom of the motherboard. To do this, unscrew the nuts and pull the cable straight out (you may have to pull hard). Be careful not to bend the center conductor.
3. Remove the screws.
4. Remove the front panel (see **figure 9, "Front Panel," on page 91**).
5. Remove the rear-panel BNC nuts.
6. Lift the motherboard slightly away from the chassis and unplug the cables from the top of the motherboard.

Ordering Replacement Parts: see **chapter 9, "Replaceable Parts"**.

---

**Fan**



**Figure 15**      **Fan**

Hints: To remove AF and RF Assemblies see figure 6, "AF, Digital, and Most RF Assemblies," on page 86.

Ordering Replacement Parts: see chapter 9, "Replaceable Parts".

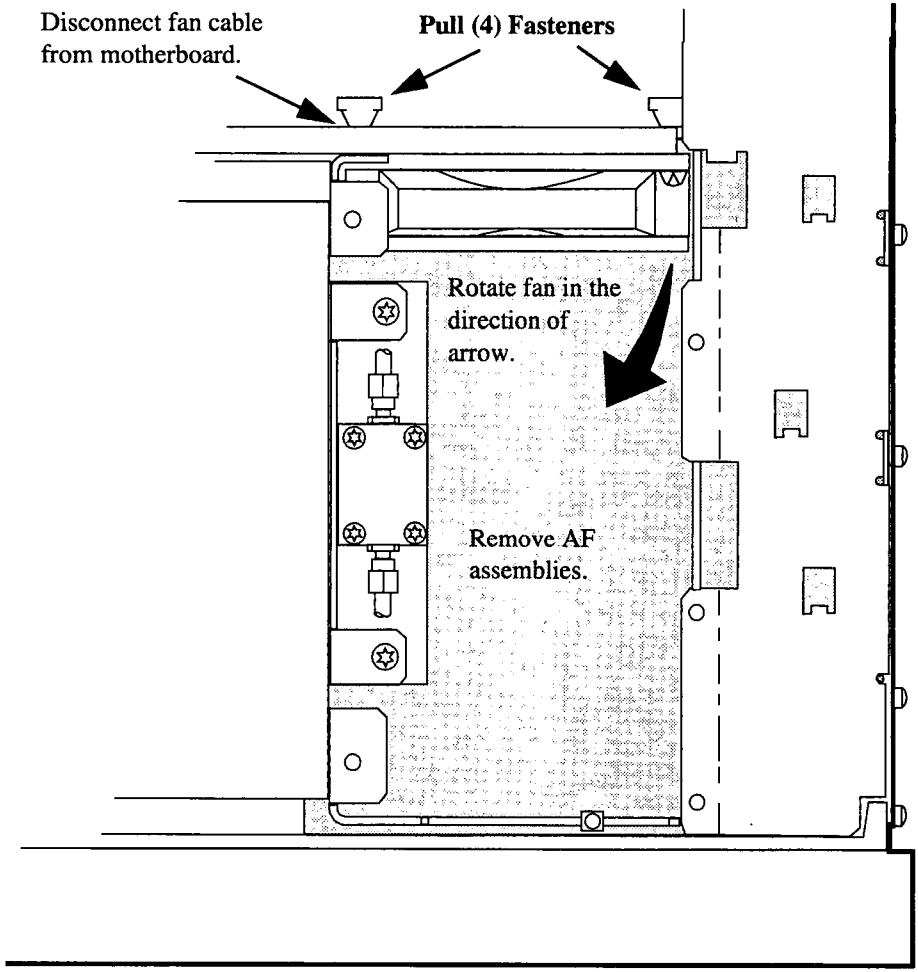
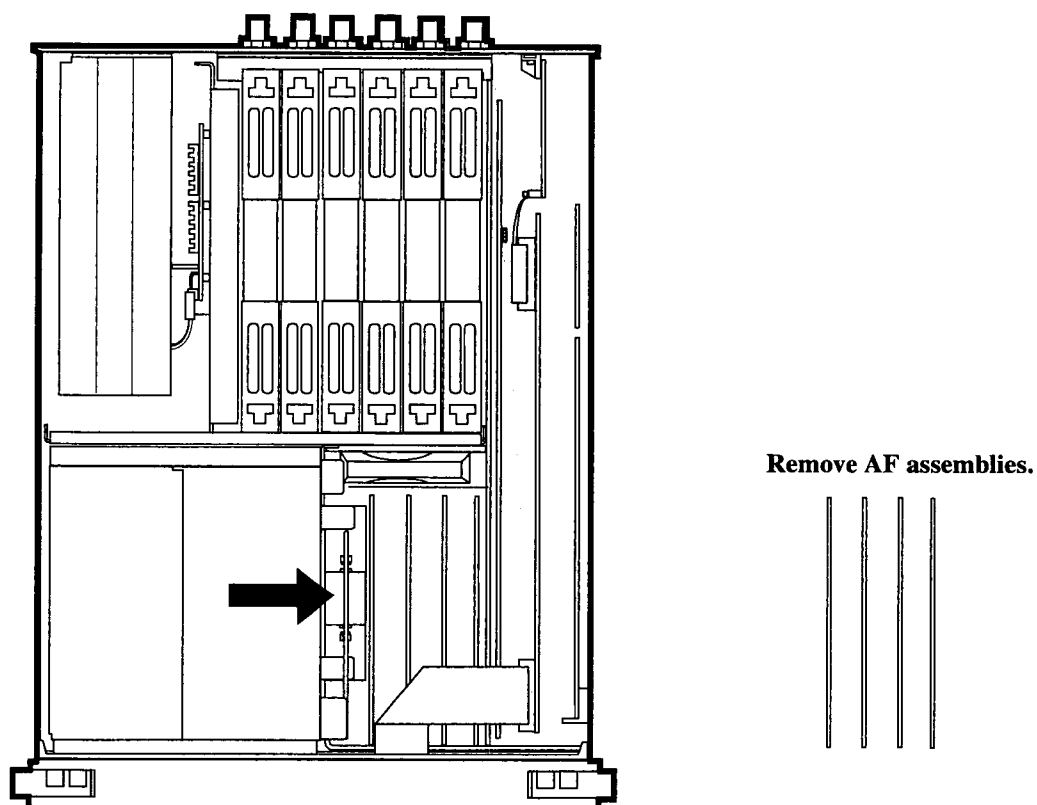


Figure 16 (close-up view of fan)

---

## High-Power Attenuator

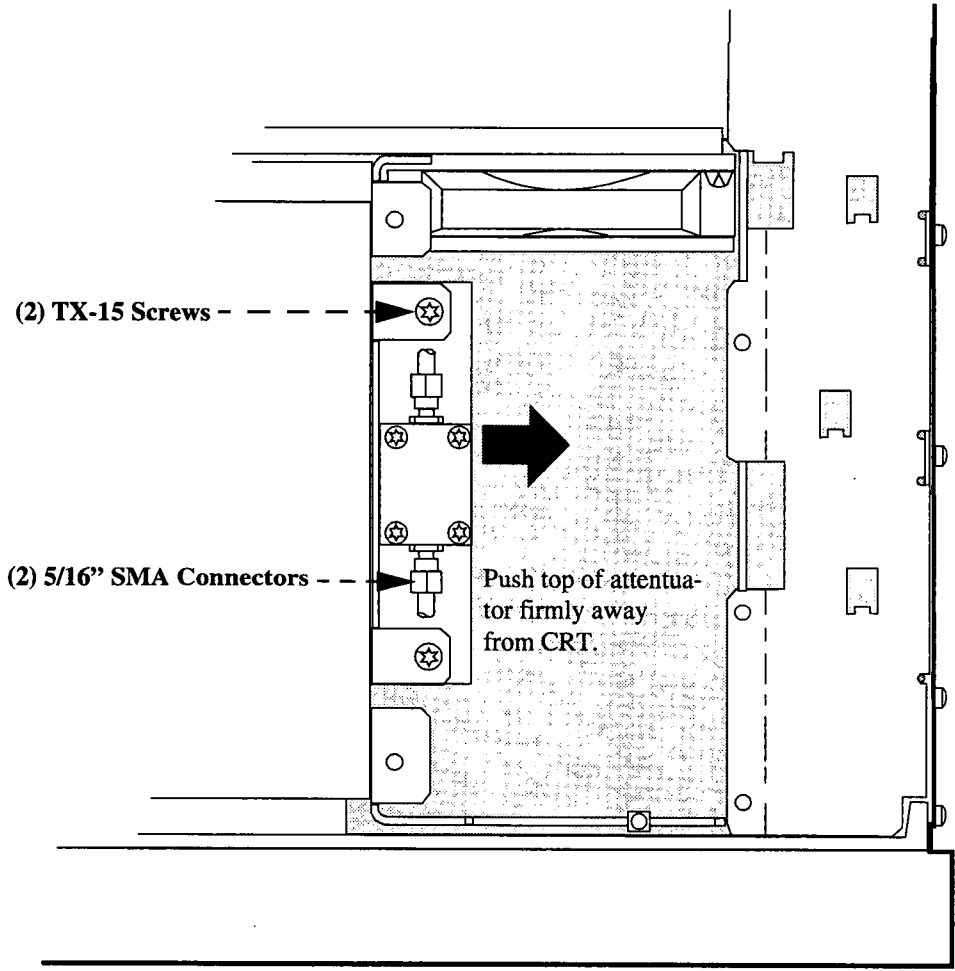


**Figure 17**      **High-Power Attenuator**

Hints: To remove AF assemblies see figure 6, "AF, Digital, and Most RF Assemblies," on page 86.

Ordering Replacement Parts: see chapter 9, "Replaceable Parts".

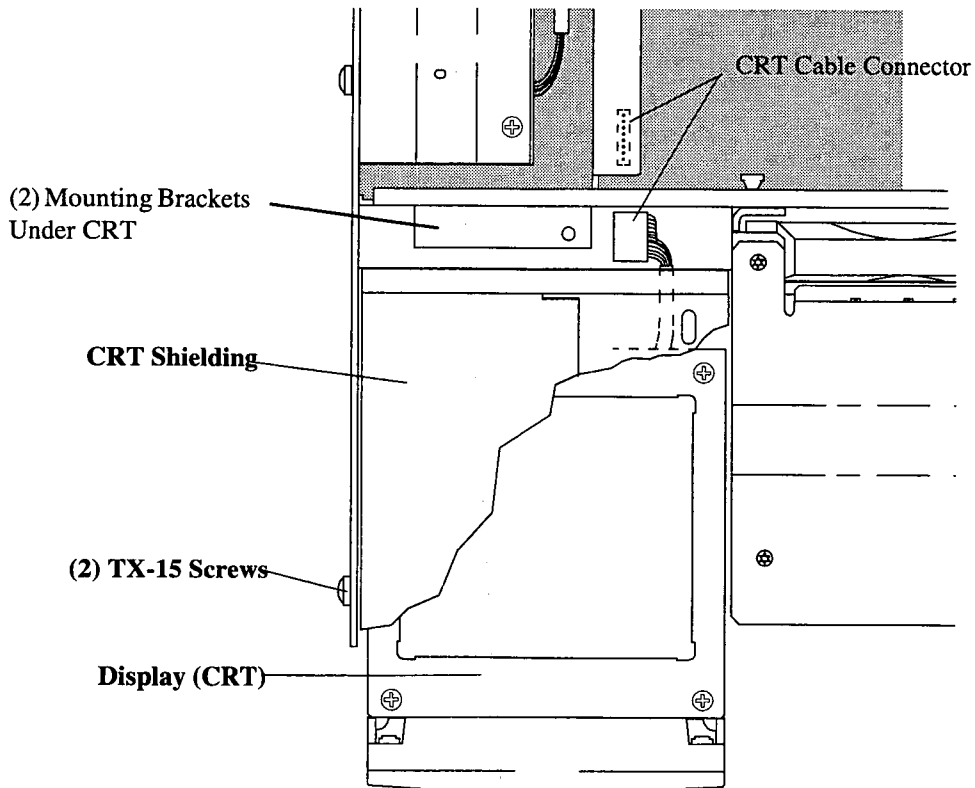
Calibration Data: The Test Set requires new cal data when the High-Power Attenuator assembly is replaced. A cal data memory card comes with the replacement assembly.



**Figure 18** (close-up view of attenuator assembly)

---

## A20 Display (CRT)



**Figure 19**

**A20 Display (CRT)**

Use the following sequence to remove the Display (CRT):

1. Remove the Input assembly (see **figure 6, "AF, Digital, and Most RF Assemblies," on page 86**).
2. Remove the front panel (see **figure 9, "Front Panel," on page 91**).
3. Remove the RF assemblies that plug into the motherboard (see **figure 6, "AF, Digital, and Most RF Assemblies," on page 86**).
4. Unplug the cable.
5. Remove the bottom and side screws from the display.
6. Slide the display to the front.

Ordering Replacement Parts: see **chapter 9, "Replaceable Parts"**

## A7 Controller

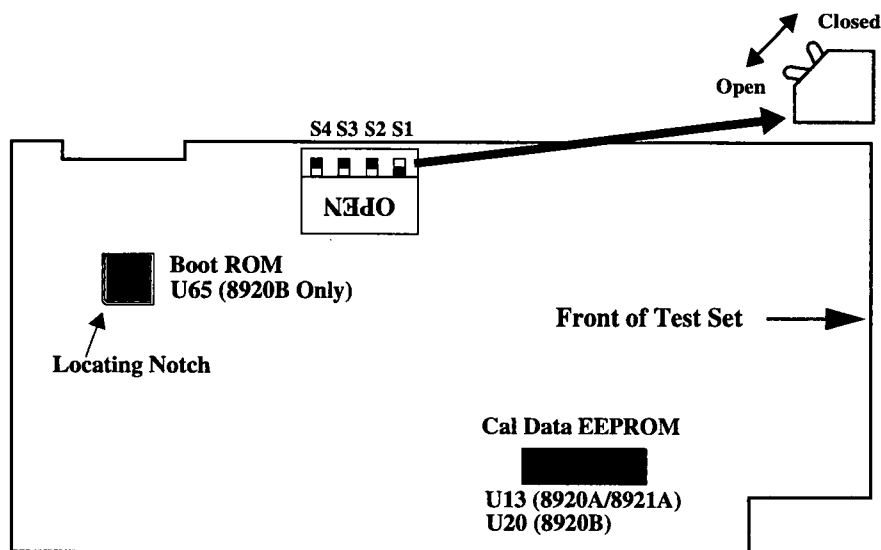
Hints: To identify and access Controller assembly see figure 6, "AF, Digital, and Most RF Assemblies," on page 86.

Ordering Replacement Parts: see chapter 9, "Replaceable Parts".

**Table 5** Controller Switch Settings

Test Set	Switch 1	Switch 2	Switch 3	Switch 4
HP 8920A	Closed	Not Used	Not Used	Not Used
HP 8920B	Closed	Open	Open	Not Used
HP 8921A	Closed	Not Used	Not Used	Not Used

Switch 1: Write Calibration EEPROM (Open=Disabled, Closed=Enabled) Switch 2: Smart Card (Open=PCMCIA, Closed=Epson) Switch 3: Run from Flash/OTP (Open=Flash, Closed=OTP) Switch 4: Not Used



**Figure 20**

**A7 Controller**







---

**Calibration**

---

## **Introduction**

This chapter includes procedures to perform periodic calibration and performance tests. The performance tests verify that the Test Set performs to its specifications.

## Periodic Calibration

Some assemblies or combination of assemblies require calibration to compensate for variations in circuit performance. Traditionally, calibration has been in the form of manual, screwdriver-type adjustments. No manual adjustments are required in the Test Set. (The few manual-adjustment devices in the Test Set are set at the factory and should never be readjusted.)

There are two types of calibration data:

- Factory-generated digital data either on memory cards, or on ROMs (which are on the assemblies themselves)
- Data generated internally by running calibration programs

In either case calibration data is loaded into non-volatile memory on the A7 Controller.

---

**NOTE:**

Because calibration data resides on the A7 Controller assembly, it is important that whenever the assembly is replaced that the data be transferred from the original assembly to the new one. The calibration data resides in a socketed EEPROM which can be moved with little danger of losing its contents. Refer to the instructions accompanying the replacement assembly for details.

---

The internal calibration programs should be run whenever an assembly which requires calibration is replaced. It is also recommended that all the procedures in the periodic calibration program be run at least every two years.

To download calibration data supplied on a memory card, follow the instructions that come with the replacement assembly. To create and download calibration data for assemblies requiring an internal calibration program (PER\_CAL or PER\_CAL2), follow the steps later in this chapter. For a summary of assemblies and their calibration requirements, **table 6, "Assemblies and Their Calibration Requirements" on page 110.**

The Test Set may also contain calibration programs for Cellular Adapters which sit on top of and are bolted to the Test Set. Documentation for these programs can be found in the individual Cellular Adapter's manuals. PER\_CALD is an example of a Cellular Adapter periodic calibration program.

**Table 6 Assemblies and Their Calibration Requirements**

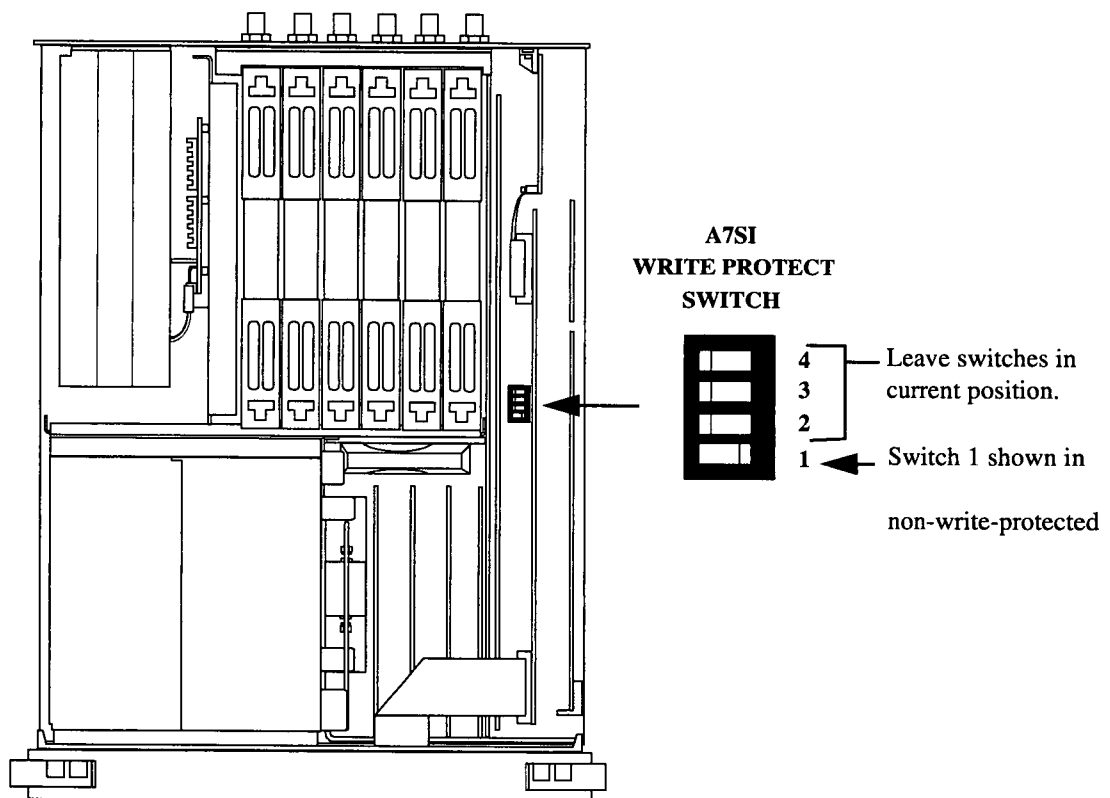
Where Calibration Data Is Located:			
Assembly	Memory Card	Assembly	Periodic Calibration Program
A2 Audio Analyzer 2			Variable Frequency Notch Filter (if present)
A3 Audio Analyzer 1			Audio Analyzer 1 Offset
A4 Modulation Distribution			External Modulation Path Gain Analyzer 1 Offset
A11 Receiver Mixer	X		
A13 Output	X <sup>a</sup>	X	
A14 Signal Generator Synthesizer	X	X	
A15 Reference	X <sup>b</sup>	X	Timebase Reference
A16 Receiver	X	X	
A17 Receiver Synthesizer	X	X	
A18 Spectrum Analyzer	X		
A19 Measurement	X		Voltmeter References
A21 HP-IB/RS-232/Current Sense	X		
A23 Input Section	X		
A24 High Power Attenuator	X		

a. Calibration data that comes with replacement assemblies may be on either memory card or the assembly itself depending on model number and serial number.

b. Same as footnote 1, except routine calibration is also available in the periodic calibration program.

## Write-Protected Calibration Data

Data in nonvolatile Test Set ROM can be write protected by setting a switch on the controller assembly. This prevents calibration data from being accidentally overwritten. The switch is normally not set to protect data. The calibration programs check the setting of the write-protect switch. If the write-protect switch is set, instructions are displayed explaining how to disable write protection. (Access to the write-protect switch requires removing the Test Set's cover. The location of the write-protect switch is shown in figure 21 .) Write-protect status is checked again before exiting the program.



(Shown with internal covers removed.)

Figure 21

Location of the Write-Protect Switch On the Controller Assembly

### **Equipment**

For the *Timebase Reference Using a Counter* calibration, you will need to connect a frequency counter to the rear-panel 10 MHz REF OUTPUT connector. The accuracy of the counter will determine the accuracy of the Test Set's internal reference. You will use the counter to set the Timebase Reference DACs.

For the *Timebase Reference Using a Source* calibration you will need to connect a signal generator to the front-panel ANT IN connector. The quality of this source is described in the description for the *Timebase Reference Using a Source* calibration procedure.

For the *Voltmeter References* calibration you will need a DC voltmeter with  $\pm 0.015\%$  accuracy.

## Running the Periodic Calibration Program

Press TESTS to access the TESTS screen.

Select the field under **Select Procedure Location:**.

Select ROM under the **Choices:** menu.

Select the field under **Select Procedure Filename:**.

Select PER\_CAL for the HP 8920A/8921A, or Per\_CAL2 for the HP 8920B,  
from the **Choices:** menu.

Select Run Test (USER key k1).

Follow the instructions on the screen.



## Periodic Calibration Program (PER\_CAL and PER\_CAL2)

### Descriptions

---

**NOTE:** Use PER\_CAL for the HP 8920A/8921A; use PER\_CAL2 for the HP 8920B.

---

#### Timebase Reference Using a Counter

These programs are provided as a convenience for manually tuning the timebase reference using a frequency counter as the time standard. The procedure has two basic steps:

1. Manual adjustment of the two (coarse and fine) timebase tuning DACs.
2. Downloading the DAC settings into the Test Set.

If you have not already adjusted the two timebase tuning DACs, exit the program if needed (by selecting the Adj USER key), and follow the *Setting the Timebase Latches* instructions later in this chapter.

If you have adjusted the timebase DACs, run this program and select the Cal USER key to make the setting permanent.

Alternatively, you can select *Timebase Calibration Using a Source* and adjust the timebase to a time standard connect to the front-panel ANT IN connector.

#### Timebase Reference Using a Source

This program automatically tunes the timebase tuning DACs to a signal at the front-panel ANT IN connector, which is assumed to be at the frequency that is keyed in from the front-panel keypad. If an external 10 MHz reference is being used, it must be disconnected.

In order for the calibration to be valid, the signal applied to the ANT IN connector must have the following characteristics.

1. The level should be between  $-30$  and  $+20$  dBm (0.001 and 100 mW).
2. The frequency should be between 0.4 and 1000 MHz.
3. The frequency must be as accurate as the use of the Test Set requires.
4. The Test Set must be able to tune to within 10 or 100 kHz of the reference signal with the Test Set's current timebase reference settings. If this condition is not met, either the keyed-in frequency is incorrect or the Test Set is faulty.

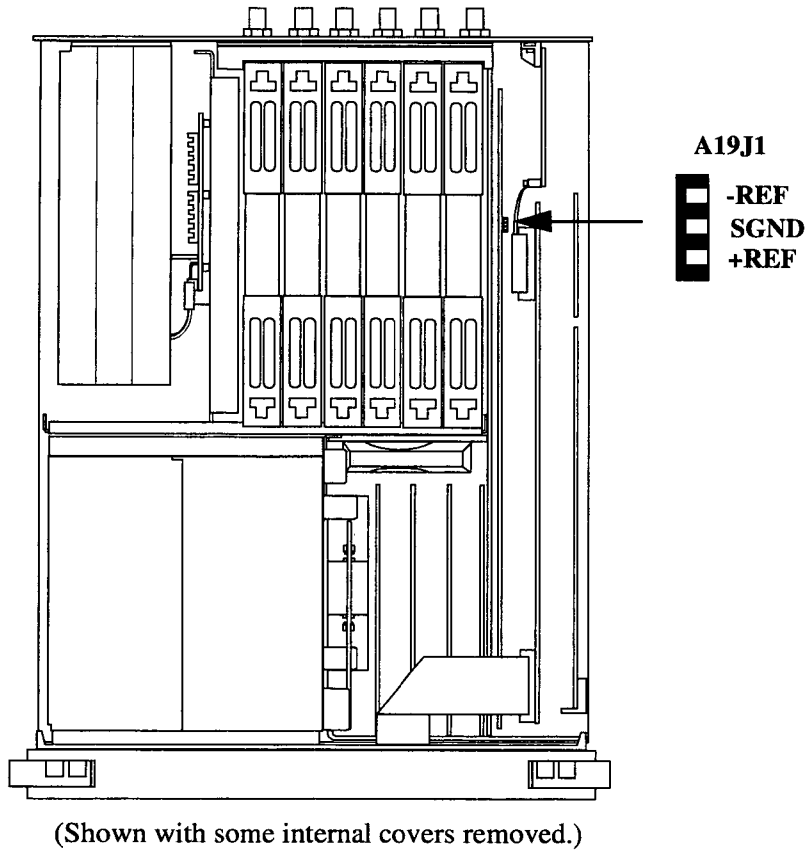
5. The signal must be a CW signal. Specifically, any FM must be less than 100 Hz peak as measured by the Test Set.
6. The coarse tune DAC must be between 3 and 250 (decimal); otherwise, the frequency of the source is out of reach by the tuning DAC.

After the coarse and fine tune DAC settings have been determined, the values are downloaded into the Test Set's memory.

#### **Voltmeter References**

Instructions are displayed explaining how to measure the negative and positive references with an external voltmeter. The user is then required to key in the readings. If the readings are reasonable, the two values are downloaded.

For the Test Set to meet published specifications, the external DC voltmeter must be 0.015% accurate. The voltmeter is connected to the test points shown in **figure 22**.



**Figure 22**      **Location of the Voltmeter Connections on the Measurement Assembly**

### **Audio Frequency Generator Gain**

The gain of the following paths is calibrated:

1. The internal paths that run from Audio Frequency Generators 1 and 2 (individually) through the Modulation Distribution assembly, to the monitor select output, then onto Audio Analyzer 1 to the DVM.
2. The paths that run from Audio Frequency Generators 1 and 2 (individually) through the Modulation Distribution assembly to the AUDIO OUT connector, externally to the rear-panel MODULATION IN connector, then again through the Modulation Distribution assembly to the monitor select output and to the DVM.

The above-measured levels are used to adjust the output level of the audio generators so that they produce a calibrated level to the modulation inputs of the RF Generator. These measurements are made at dc. Both positive and negative levels are measured to produce an optimum calibration factor.

### **External Modulation Path Gain**

The *Audio Frequency Generator Gain* program should be run first.

The path in this program runs from the external MODULATION IN connector through the Modulation Distribution assembly, through the Monitor Select Switch, then through Audio Analyzer 1 to the Test Set's internal DVM. The dc source is Audio Frequency Generator 1 through the AUDIO IN connector and an external cable.

The goal of this procedure is to set the External Level Amplifier gain DAC (on the Modulation Distribution assembly) to produce a gain of exactly 4 between the MODULATION IN connector and output of the Monitor Select Switch. This requires measuring the input and output levels, calculating the gain, changing the DAC setting, and then repeating the process until the calculated gain equals 4.

### **Audio Analyzer 1 Offset**

Two dc offsets are measured and downloaded as calibration factors to the Audio Analyzer 1 assembly:

1. Input Select Switch grounded.
2. Audio Input selected with return conductor grounded

### **Variable Frequency Notch Filter**

The calibration factors for tuning the variable-frequency notch filter are determined: The input to the filter is set to 10 evenly-spaced frequencies between 300 and 10 000 Hz. The DAC that tunes the notch filter is adjusted for best null of the tune error voltage. From this data, three coefficients of a parabola which best fit the tuning data are calculated using a least-squares curve fit. The coefficients are then downloaded into the Test Set's non-volatile memory.

## Setting the Timebase Latches

The following procedure is to be used in conjunction with running the *Periodic Calibration* procedure, *Timebase Calibration Using a Counter*, earlier in this chapter.

1. Press SHIFT,DUPLEX CONFIG to access the CONFIGURE screen.
2. Select SERVICE under the **To Screen** menu.
3. Connect a frequency counter to the rear-panel 10 MHz REF OUTPUT connector.
4. Select the **Latch** field.
5. Select **refs\_DAC\_coarse** under the **Choices:** menu.
6. Select the **Value** field.
7. Rotate the knob until the counter reads as close to 10 MHz as possible.
8. Select the **Latch** field.
9. Select **refs\_DAC\_fine** under the **Choices:** menu.
10. Select the **Value** field.
11. Rotate the knob until the counter reads as close to 10 MHz as possible.
12. Store the new DAC values (timebase calibration data) in non-volatile memory by selecting and running the *Timebase Reference Using a Counter* routine from PER\_CAL.

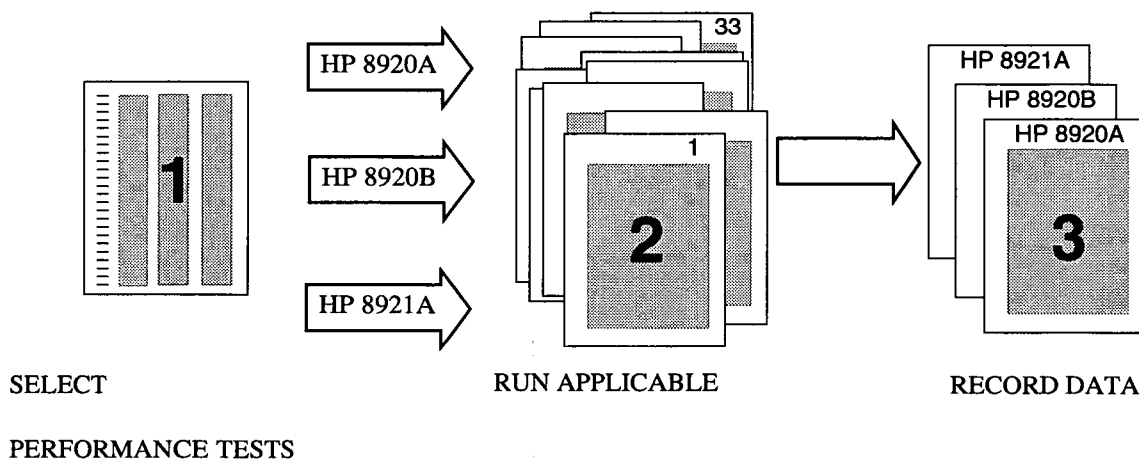
The refs\_DAC\_coarse and ref\_DAC\_fine values adjust the frequency of the Test Set's internal 10 MHz reference. They are stored in memory. The Controller reads the values and sends the appropriate adjustment to the A15 Reference assembly.

---

## Performance Tests

### How To Use The Performance Tests

There is one set of Performance Tests used to verify the performance of three different Test Sets (HP 8920A, 8920B, 8921A). The model number and installed options determines which specific Performance Test you should perform. Three separate Performance Test Records (PTR) have been provided. Use the process described below to perform the tests.



- Select the group of Performance Tests for your instrument and options from **table 8, "Required Performance Tests For Each Model Number" on page 123.**
- Run the required Performance Tests using the specified Test Equipment from **table 7, "Required Test Equipment" on page 122.**
- Record the data for each test onto the applicable Performance Test Record (PTR) for your instrument.

## Test Set Operation

To perform the test procedures you need to know basic Test Set operation. You should be familiar with the front panel, the various CRT screens, and knob operation (cursor control). You should be able to operate the Test Set's RF Generator, RF Analyzer, AF Generators, AF Analyzer, and Oscilloscope.

---

**NOTE:** Press PRESET on the Test Set before beginning each test.

---

## Equipment

The following test equipment is needed to do all of the performance tests. The set-up drawings at the beginning of each test procedure show the equipment needed for each test. Generic names of the equipment used for each test are shown on the set-up drawings for each test. To find alternatives to the equipment listed below, look up their specifications in the Hewlett-Packard Test and Measurement Catalog and use the specifications to find equivalent instruments. If you want to do functional checks for the Test Set you can use the test procedures with functionally equivalent equipment.



**Test Equipment Operation**

The test procedures give critical instrument settings and connections, but they don't tell how to operate the instruments. Refer to each instrument's operating manual.

**Table 7 Required Test Equipment**

<b>Equipment Model # (or equivalent)</b>	<b>Model Name</b>	<b>Performance Test #</b>
HP 3458A	Digital Voltmeter	13, 14, 17, 20, 23
HP 8116A	Function Generator	24
HP 8562A	RF Spectrum Analyzer	11, 12
HP 8902A	Measuring Receiver	1-6,7 <sup>a</sup> , 8-10, 22, 24-26, 8-30
HP 8903B	Audio Analyzer	725, 15,17, 21, 23, 25,28-30
HP 11715A	AM/FM Test Source	25-31
HP 11722A	Sensor Module	8-10, 24
HP 778D	Dual Directional Coupler	24
HP 8642A, 8657A/B	Synthesized Signal Generator	32, 33
HP 5316A	Universal Counter	16, 21

a. For Performance Test 7 the Measuring Receiver requires connections for an external LO, included as part of Option 003 or 030. For Option 030 it does not matter which filters are installed (only the switching of the LO is important).

**Table 8 Required Performance Tests For Each Model Number**

Performance Test Description	Perf Test	HP 8920A	HP 8920B	HP 8921A
RF Gen AM Distortion <sup>a</sup>	1	X	X	
RF Gen AM Accuracy	2	X	X	
RF Gen AM Flatness	3	X	X	
RF Gen FM Distortion <sup>b</sup>	4	X	X	X
RF Gen FM Accuracy	5	X	X	X
RF Gen FM Flatness	6	X	X	X
RF Gen Residual FM	7	X	X	X
RF Gen Duplex Output High Level Accuracy	8	X	X	X
RF Gen Duplex Output Low Level Accuracy	9	X	X	X
RF Gen RF IN/OUT Level Accuracy	10	X	X	X
RF Gen Harmonics Spectral Purity	11	X	X	X
RF Gen Spurious Spectral Purity	12	X	X	X
AF Gen AC Level Accuracy	13	X	X	X
AF Gen DC Level Accuracy	14	X	X	X
AF Gen Residual Distortion	15	X	X	X
AF Gen Frequency Accuracy	16	X	X	X
AF Analyzer AC Voltage Accuracy	17	X	X	X
AF Analyzer Residual Noise	18	X	X	X
AF Analyzer Distortion, SINAD, and SNR	19	X <sup>c</sup>	X	X
AF Analyzer DC Level Accuracy	20	X	X	X
AF Analyzer Frequency Accuracy to 100 kHz	21	X	X	X
AF Analyzer Frequency Accuracy at 400 kHz	22	X	X	X
Oscilloscope	23	X	X	X
RF Analyzer Level Accuracy	24	X	X	X

**Table 8 Required Performance Tests For Each Model Number (Continued)**

<b>Performance Test Description</b>	<b>Perf Test</b>	<b>HP 8920A</b>	<b>HP 8920B</b>	<b>HP 8921A</b>
RF Analyzer AM Accuracy	25	X	X	
RF Analyzer AM Distortion	26	X	X	
RF Analyzer Residual AM	27	X	X	
RF Analyzer FM Accuracy	28	X	X	X
RF Analyzer FM Distortion	29	X	X	X
RF Analyzer FM Bandwidth	30	X	X	X
RF Analyzer Residual FM <sup>d</sup>	31	X	X	X
RF Analyzer SSB Demodulation	32	X	X	X
Spectrum Analyzer Image Rejection <sup>e</sup>	33	X	X	X

- a. Test applicable for HP 8920A, 8920A Option 050, and 8920B.
- b. Test includes separate limits for HP 8920A, 8920A Option 050, 8920B and 8921A.
- c. SNR function not available on HP 8920A's serial prefix 3344A and below.
- d. Test includes separate limits for HP 8920A, 8920A Option 050, 8920B and 8921A.
- e. Option 002 or 102 only.

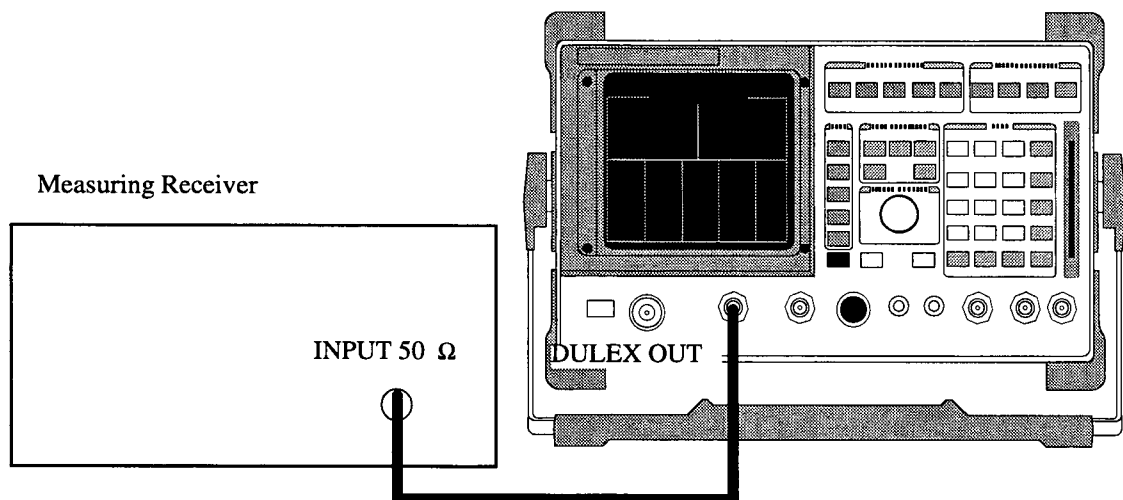
---

## RF Gen AM Distortion Performance Test 1

### Description

The AM distortion of the RF generator is measured directly by the AM demodulator in the measuring receiver. The Test Set's internal audio generator provides the modulation source. A maximum AM depth of 70% is used.

### Setup

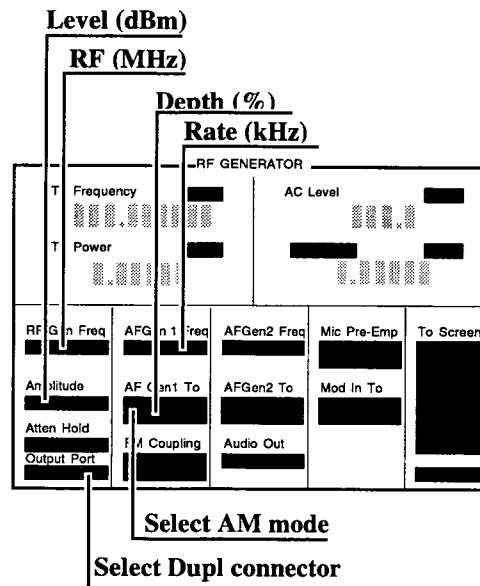


#### Make the following measuring receiver settings:

- Reset the measuring receiver
- 300 Hz High-Pass Filter
- 3 kHz Low-Pass Filter
- AM mode
- Audio distortion mode

## Procedure

1. Select the RF GENERATOR screen.
2. Set the AFGen1 To field to AM.
3. Set the Output Port field to Dupl.



4. Measure the AM distortion (audio distortion) at the RF levels, frequencies, depths, and rate shown in the Performance Test Record (PTR) and compare the measured distortion to the limits shown in the PTR.

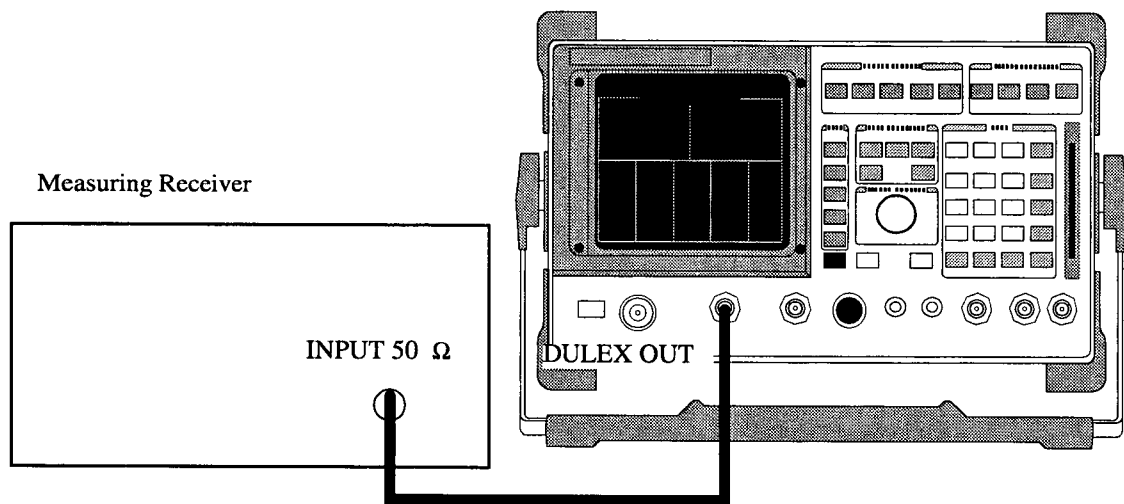
---

## RF Gen AM Accuracy Performance Test 2

### Description

The AM accuracy of the RF generator is measured directly by the measuring receiver. An Test Set's internal audio generator provides the modulation source. A maximum AM depth of 70% is used.

### Setup

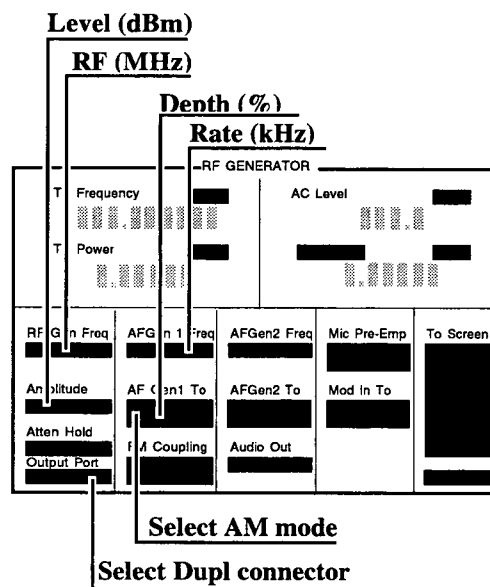


#### Make the following measuring receiver settings:

- Reset the measuring receiver
- 300 Hz High-Pass filter
- 3 kHz Low-Pass Filter
- AM mode

## Procedure

1. Select the RF GENERATOR screen.
2. Set the AFGen1 To field to AM.
3. Set the Output Port field to Dupl.



4. Measure the AM percent at the RF levels, frequencies, depths, and rate shown in the PTR and compare the measured AM percent to the limits shown in the PTR.

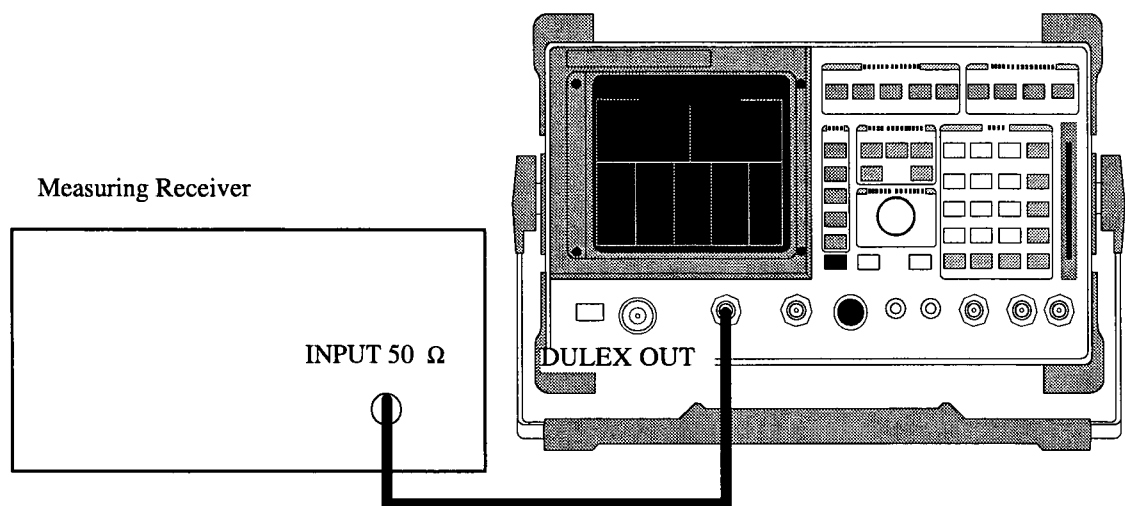
---

## RF Gen AM Flatness Performance Test 3

### Description

The AM flatness of the RF generator is measured directly by the measuring receiver. The Test Set's internal audio generator provides the modulation source.

### Setup



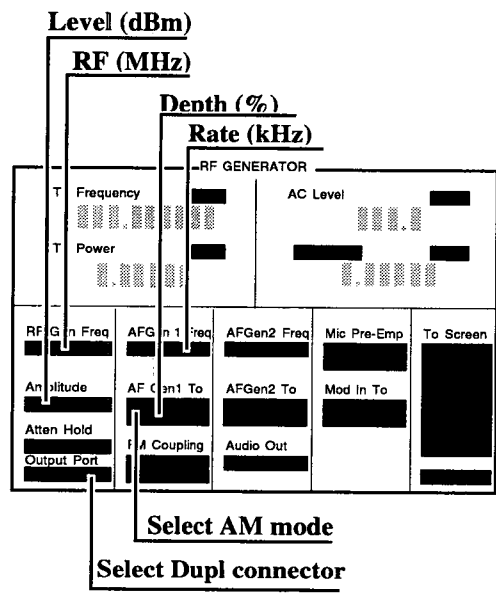
#### Make the following measuring receiver settings:

- Reset the measuring receiver
- Filters off
- AM mode



**Procedure**

1. Select the RF GENERATOR screen.
2. Set the AFGen1 To field to AM.
3. Set the Output Port field to Dupl.



4. Measure the AM depth at the RF levels, frequency, depth, and rates, shown in the PTR.
5. Convert the measurement results to dB as follows:

$$db = 20\log \frac{\text{measure \% AM}}{\text{measure \% AM at 1 kHz}}$$

6. Record the results in the PTR. The computed value must be  $0 \pm 3$  dB.

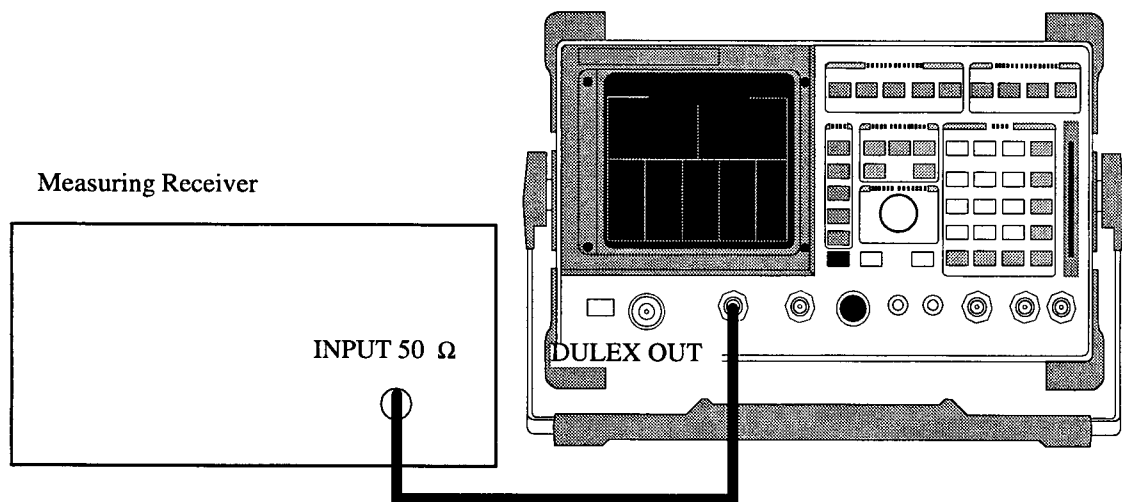
---

## RF Gen FM Distortion Performance Test 4

### Description

The FM distortion of the RF generator is measured directly by the measuring receiver. The Test Set's internal audio generator provides the modulation source.

### Setup

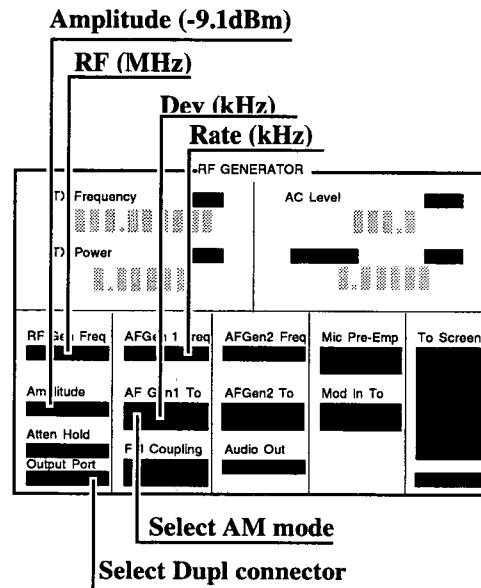


#### Make the following measuring receiver settings:

- Reset the measuring receiver
- 300 Hz High-Pass Filter
- 3 kHz Low-Pass Filter
- FM mode
- Distortion analyzer mode

### Procedure

1. Select the RF GENERATOR screen.
2. Set the AFGen1 To field to FM.
3. Set the Output Port field to Dupl.



4. Measure the FM distortion at the RF level, frequencies, deviations, and rate shown in the PTR and compare the measured distortion to the limits shown in the PTR.

**NOTE:** Use STD upper and lower limits for instruments without Option 050. Use 050 upper and lower limits for instruments with Option 050.

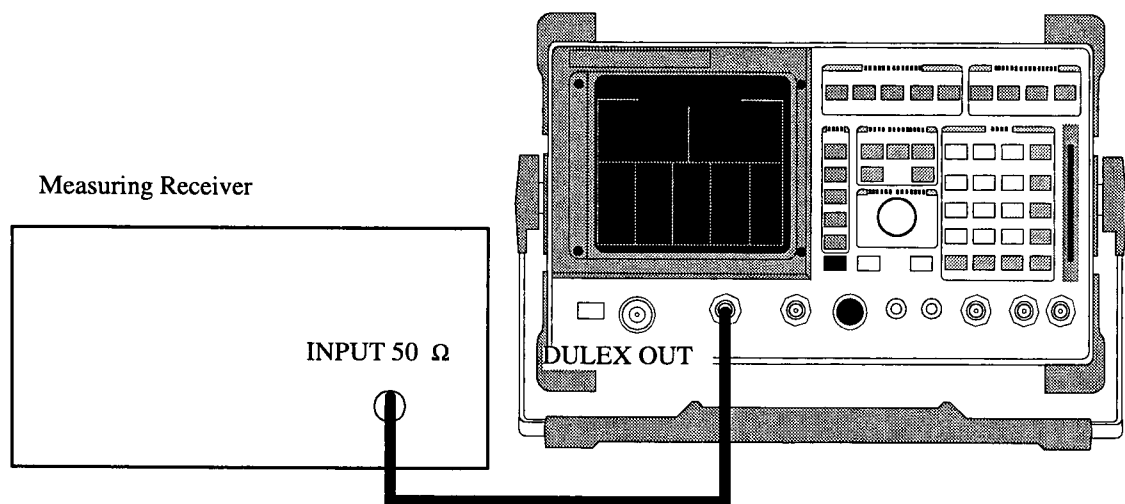
---

## RF Gen FM Accuracy Performance Test 5

### Description

The FM distortion of the RF generator is measured directly by the measuring receiver. The Test Set's internal audio generator provides the modulation source.

### Setup

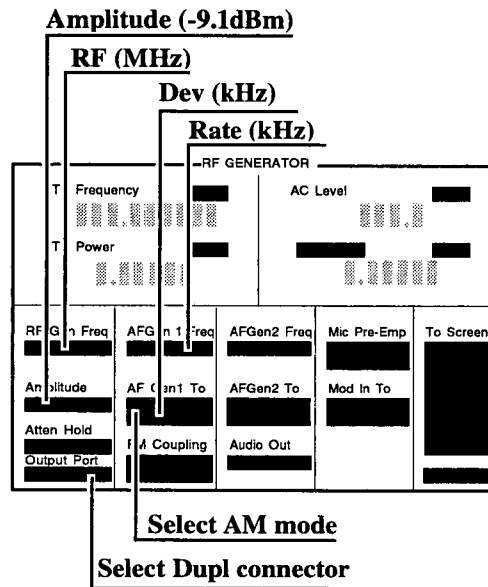


#### Make the following measuring receiver settings:

- Reset the measuring receiver
- 300 Hz High-Pass Filter
- 3 kHz Low-Pass Filter
- FM mode
- FM de-emphasis off

## Procedure

1. Select the RF GENERATOR screen.
2. Set the AFGen1 To field to FM.
3. Set the Output Port field to Dupl.



4. Measure the deviations at the RF level, frequencies, deviations, and rate shown in the PTR and compare the measured deviation to the limits shown in the PTR.

**NOTE:** Use STD upper and lower limits for instruments without Option 050. Use 050 upper and lower limits for instruments with Option 050.

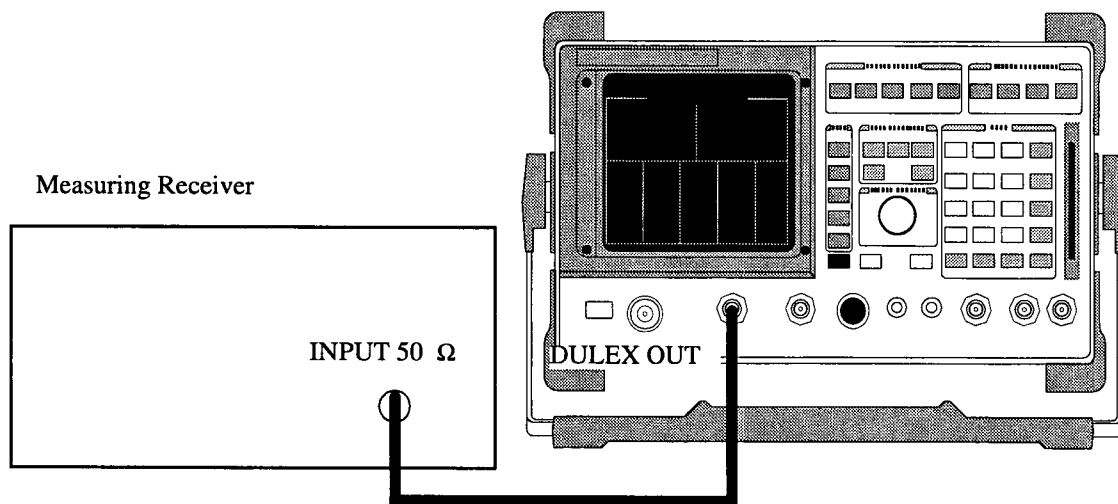
---

## RF Gen FM Flatness Performance Test 6

### Description

The FM flatness of the RF generator is measured directly by the measuring receiver. The Test Set's internal audio generator provides the modulation source.

### Setup

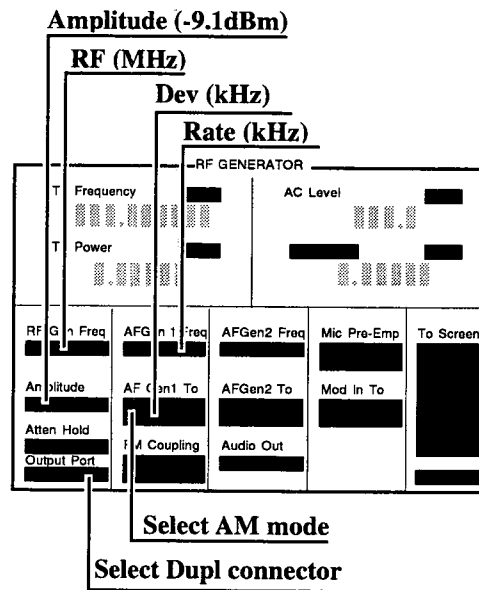


**Make the following measuring receiver settings:**

- Reset the measuring receiver
- FM mode

**Procedure**

1. Select the RF GENERATOR screen.
2. Set the AFGen1 To field to FM.
3. Set the Output Port field to Dupl.



4. Measure the FM deviation at the RF level, frequencies, deviations, and rates shown in the PTR.
5. Convert the measurement results to dB referenced to the deviation measured at 1 kHz as follows:

$$\text{dB} = 20\log \frac{\text{Deviation}}{\text{Deviation at 1 kHz}}$$

(The computed values must be 0, ±1 dB.)

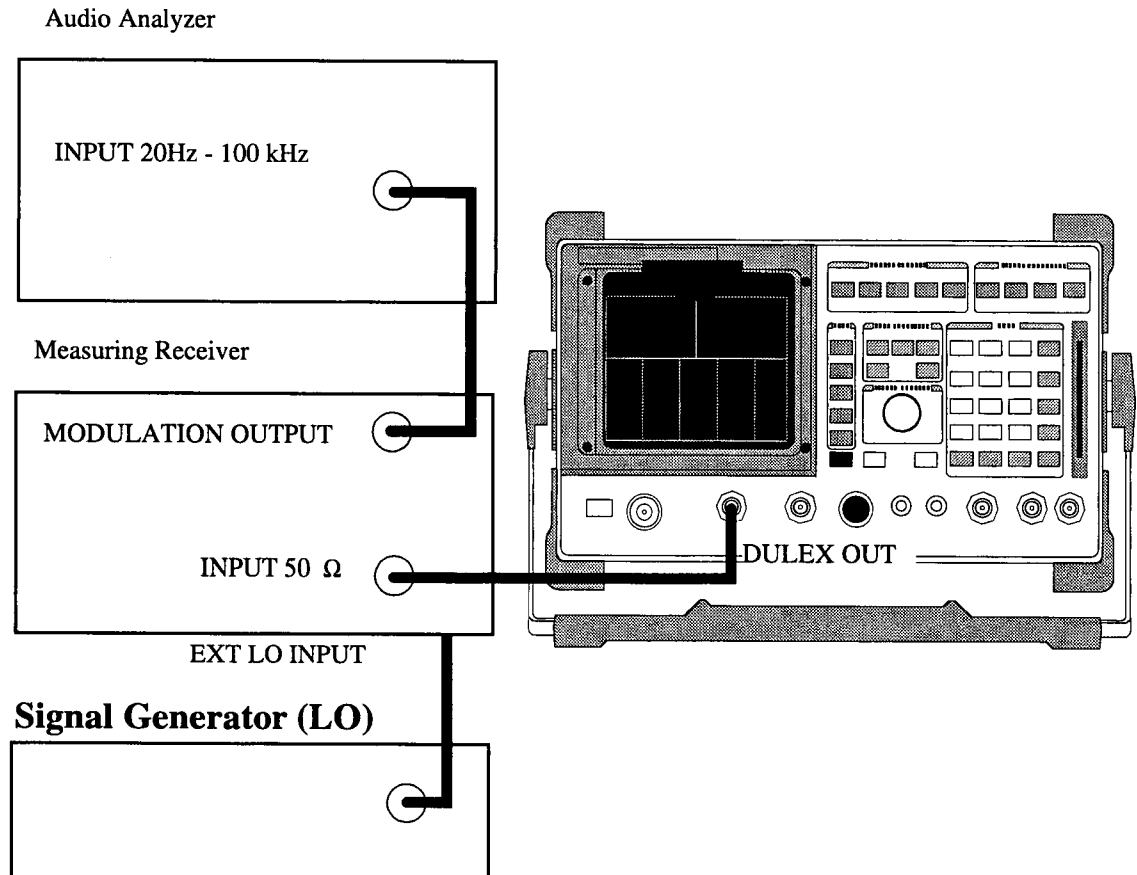
---

## RF Gen Residual FM Performance Test 7

### Description

The residual FM of the RF generator is demodulated by the measuring receiver. An audio analyzer with a CCITT psophometric filter is required to measure the demodulated residual FM.

### Setup





**Make the following measuring receiver settings:**

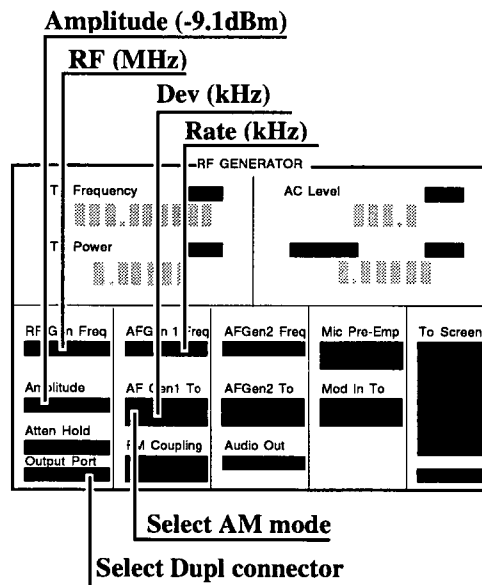
- Reset the measuring receiver
- 1.5 MHz IF (For testing HP 8920A Option 050, 8920B, 8921A)
- FM mode
- RMS detector
- 50 Hz High-Pass Filter
- 15 kHz Low-Pass Filter
- Enable the external LO mode (For testing HP 8920A Option 050, 8920B, 8921A)

**Make the following audio analyzer settings:**

- Reset the audio analyzer
- AC level
- CCITT Weighting Filter
- 30 kHz Low-Pass Filter

**Procedure**

1. Select the RF GENERATOR screen.
2. Set the Output Port field to Dupl.
3. Set the Amplitude field to -9.1 dBm.
4. Set the AFGen1 To field to FM.
5. Set the AFGen1 and AFGen2 deviation to Off.



6. Set the signal generator (used as an external LO for the measuring receiver) to the LO frequencies shown in the PTR.
7. Set the Test Set to the RF frequencies shown in the PTR and measure the ac level, in millivolts, on the audio analyzer.
8. Multiply the measured ac levels by 1000 to convert to FM deviation in Hz and compare the computed results to the limits shown in the PTR.

**NOTE:** Use STD upper and lower limits for standard HP 8920As. Use 050 upper and lower limits for HP 8920A Option 050, 8920B and 8921A.

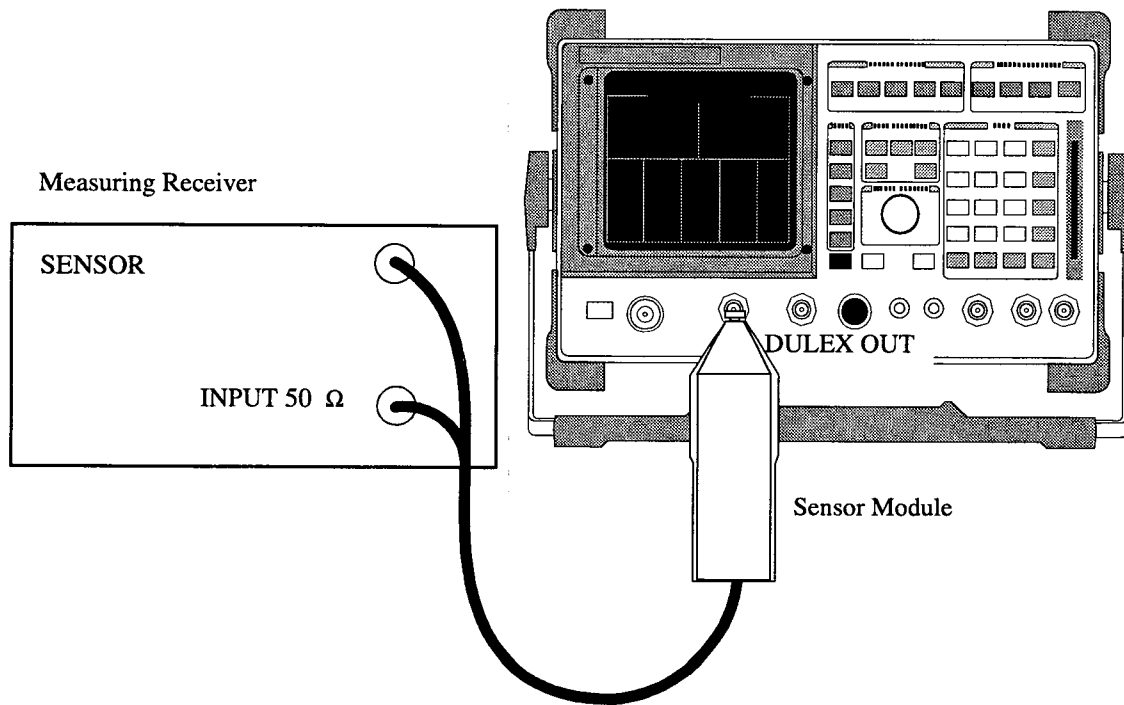
---

## RF Gen Duplex Output High Level Accuracy Performance Test 8

### Description

The level of the RF generator, set to 1 and 7 dBm, at the duplex output is measured at numerous frequencies by the sensor module of the measuring receiver.

### Setup



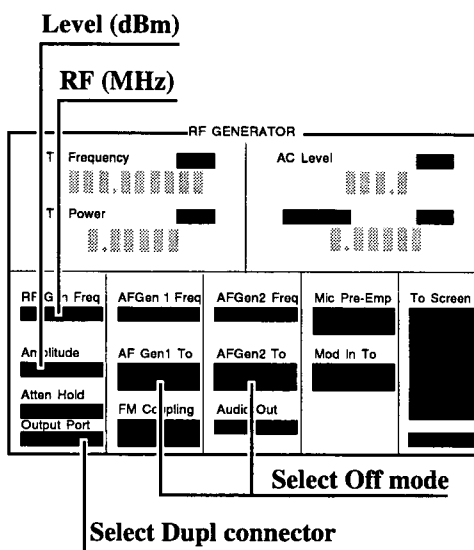
**Make the following measuring receiver settings:**

- Reset the measuring receiver
- RF power mode
- Log display

**NOTE:** Make sure to enter the power sensor's calibration data into the measuring receiver and zero the sensor module. Refer to the measuring receiver's and the sensor module's operating manuals.

**Procedure**

1. Select the RF GENERATOR screen.
2. Set the Output Port field to Dupl.
3. Set the AFGEN1 To and AFGEN2 To fields to Off.



4. Measure the RF power at the frequencies and levels shown in the PTR and compare the measured RF power to the limits shown in the PTR.

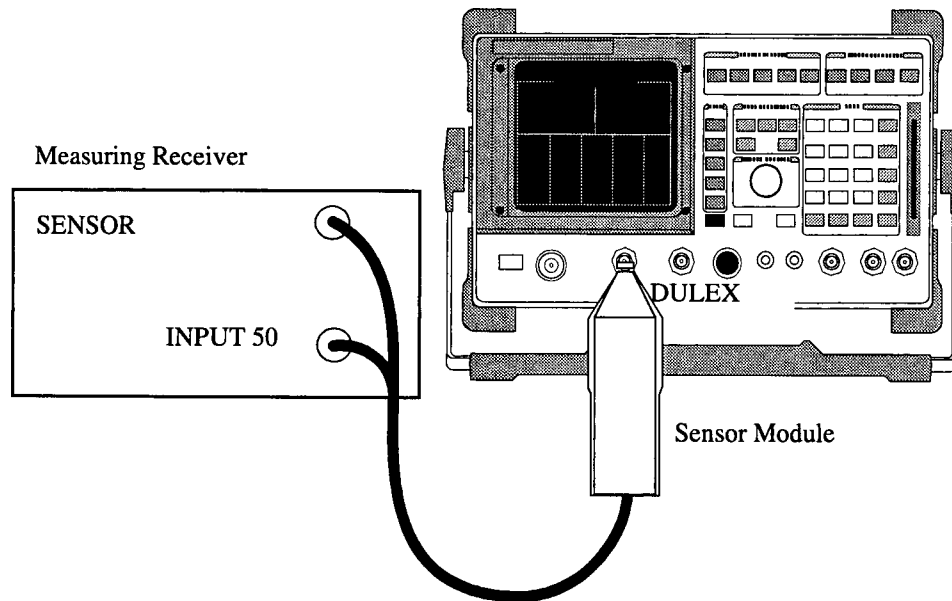
---

## **RF Gen Duplex Output Low Level Accuracy Performance Test 9**

### **Description**

The Duplex output is set to selected frequencies and to levels between 1 and -124 dBm (in 5 dB steps) and measured by the tuned RF level feature of the measuring receiver. As the test proceeds you may be required to recalibrate the measuring receiver.

## Setup



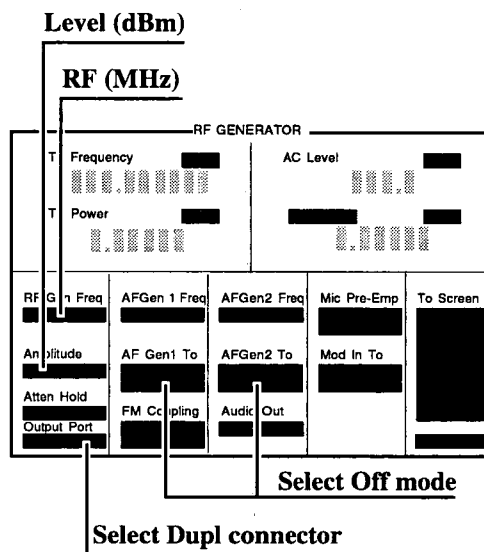
### Make the following measuring receiver settings:

- Reset the measuring receiver
- Tuned RF Level power measurement
- Log display

**NOTE:** Make sure to enter the power sensor's calibration data into the measuring receiver and zero the power sensor. Refer to the measuring receiver's operating manual. The procedure for making tuned RF level measurements is also in the measuring receiver's manual.

**Procedure**

1. Select the RF GENERATOR screen.
2. Set the Output Port field to Dupl.
3. Set the AFGen1 To and AFGen2 To fields to Off.



4. Measure the RF level at the frequencies and levels shown in the PTR and compare measured RF level to the limits shown in the PTR.
5. If the Test Set is to be used with an HP 83236A PCS Interface, measure the signal level at the additional frequencies shown in the PTR; for each measurement subtract the nominal level from the measured value and record the difference. (For example, if the level for -9 dBm reads -9.2 dBm, record the value -0.2 dBm.) When finished, find the maximum and minimum values, subtract the maximum from the minimum, and divide the result by 2.

$$\text{Actual (dB)} = \left( \frac{\text{Minimum Value} - \text{Max Value}}{2} \right)$$

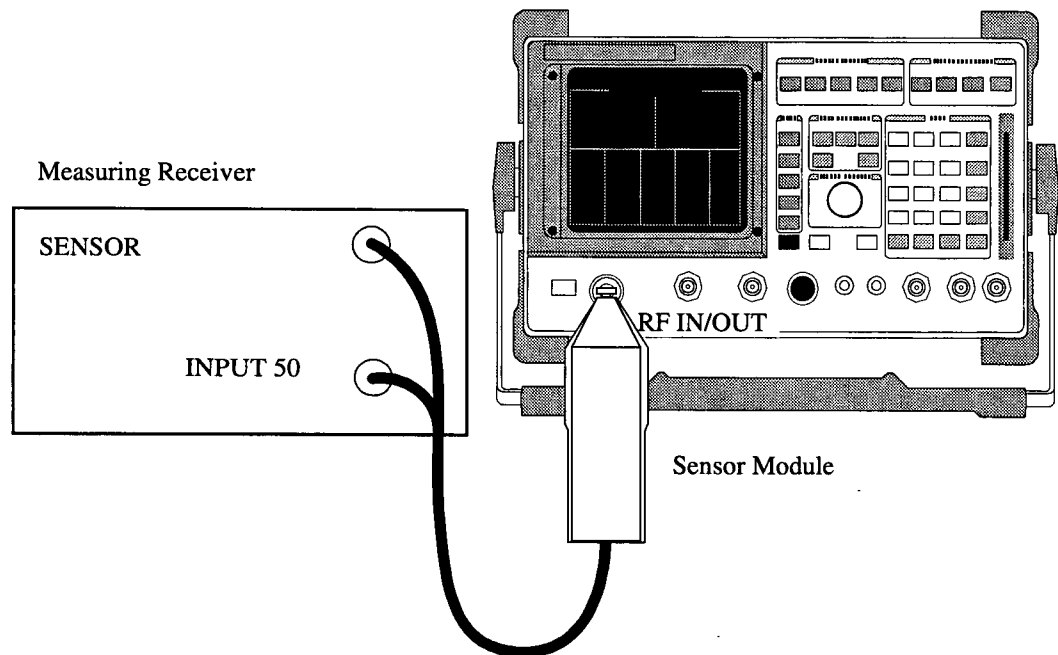
---

## RF Gen RF IN/OUT Level Accuracy Performance Test 10

### Description

The RF output is set to selected frequencies and to levels between  $-19$  and  $-124$  dBm (in 5 dB steps) and measured by the tuned RF level feature of the measuring receiver. As the test proceeds you may be required to recalibrate the measuring receiver.

### Setup



#### Make the following measuring receiver settings:

- Reset the measuring receiver
- Tuned RF Level power measurement
- Log display

---

#### **NOTE:**

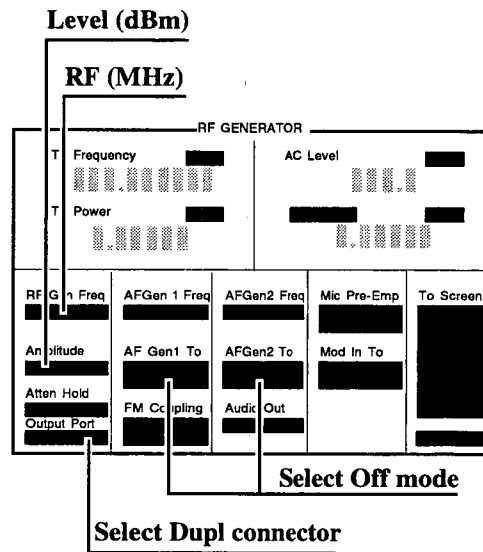
Make sure to enter the power sensor's calibration data into the measuring receiver, and zero the power sensor. Refer to the measuring receiver's operating manual. The procedure for making tuned RF Level measurements is also in the measuring receiver's manual.

---



**Procedure**

1. Select the RF GENERATOR screen.
2. Set the Output Port field to RF Out.
3. Set the AFGen1 To and AFGen2 To fields to Off.



4. Measure the RF Level at the frequencies and levels shown in the PTR and compare the measured RF level to the limits shown in the PTR.

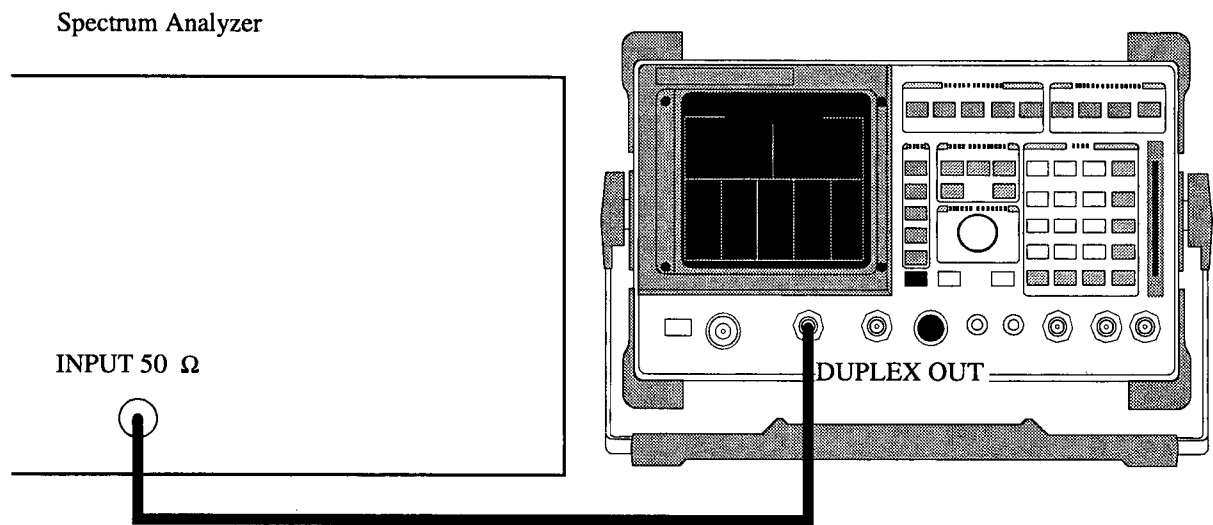
---

## RF Gen Harmonics Spectral Purity Performance Test 11

### Description

Harmonic signals with the carrier set to several frequencies and two different levels (maximum and minimum level vernier) are searched for by an RF spectrum analyzer.

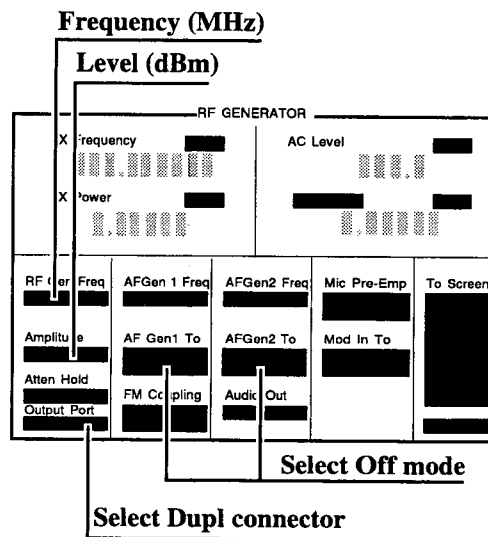
### Setup



Refer to the spectrum analyzer's operating manual to set up the spectrum analyzer.

**Procedure**

1. Select the RF GENERATOR screen.
2. Set the Output Port field to Dupl.
3. Set the AFGen1 and AFGen2 levels to Off.



4. Set the Test Set to the RF Generator frequencies and level shown in the PTR, and measure the level of the second and third harmonics and the half-harmonics also shown in the PTR.
5. Convert the harmonic levels to decibels below the fundamental (dBc) and compare the computed levels to the limits shown in the PTR.

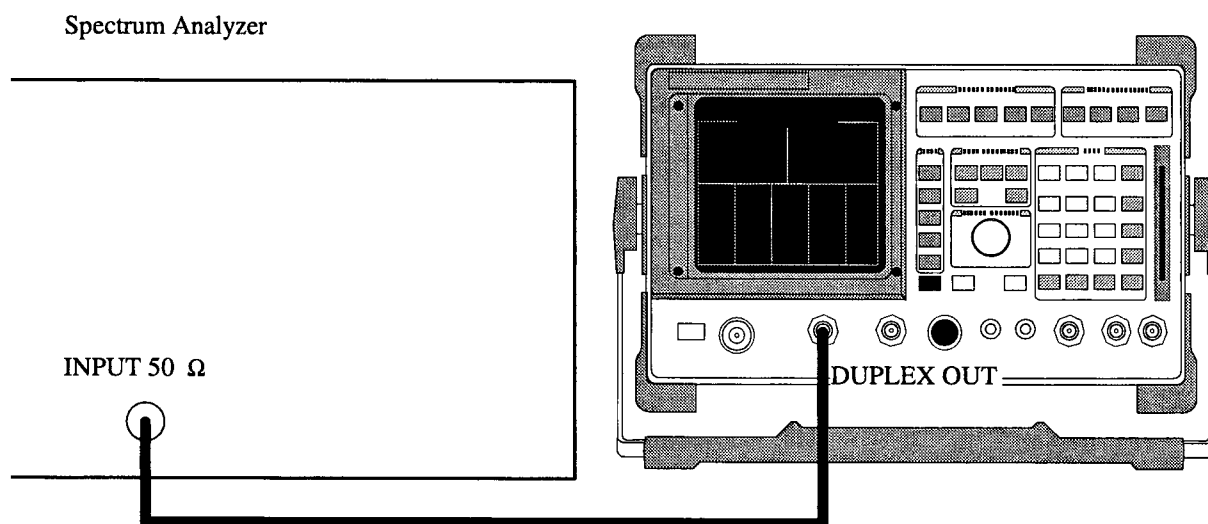
---

## RF Gen Spurious Spectral Purity Performance Test 12

### Description

Spurious signals with the carrier set to several frequencies and two different levels (maximum and minimum level vernier) are searched for by an RF spectrum analyzer.

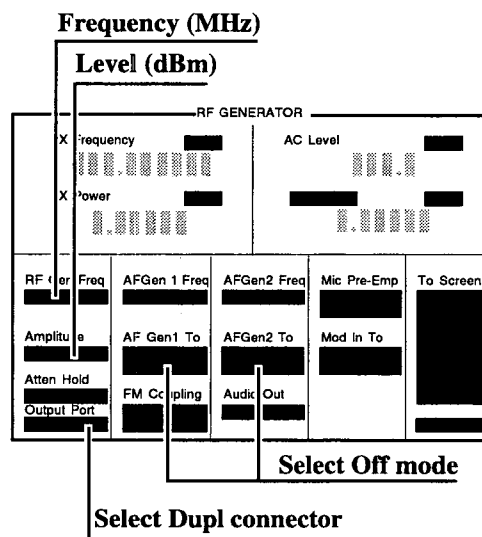
### Setup



Refer to the spectrum analyzer's operating manual to set up the spectrum analyzer.

**Procedure**

1. Select the RF GENERATOR screen.
2. Set the Output Port field to Dupl.
3. Set the AFGen1 and AFGen2 levels to Off.



4. Set the Test Set to the RF Generator frequencies and levels (+1 dBm or -4 dBm) shown in the PTR, and measure the levels of the spurious signals at the frequencies shown in the PTR.
5. Convert the measured levels to decibels below the carrier (dBc), and compare the computed results to the limits shown in the PTR.

**NOTE:** Ignore the spur source column of the PTR. That information is for help in troubleshooting.

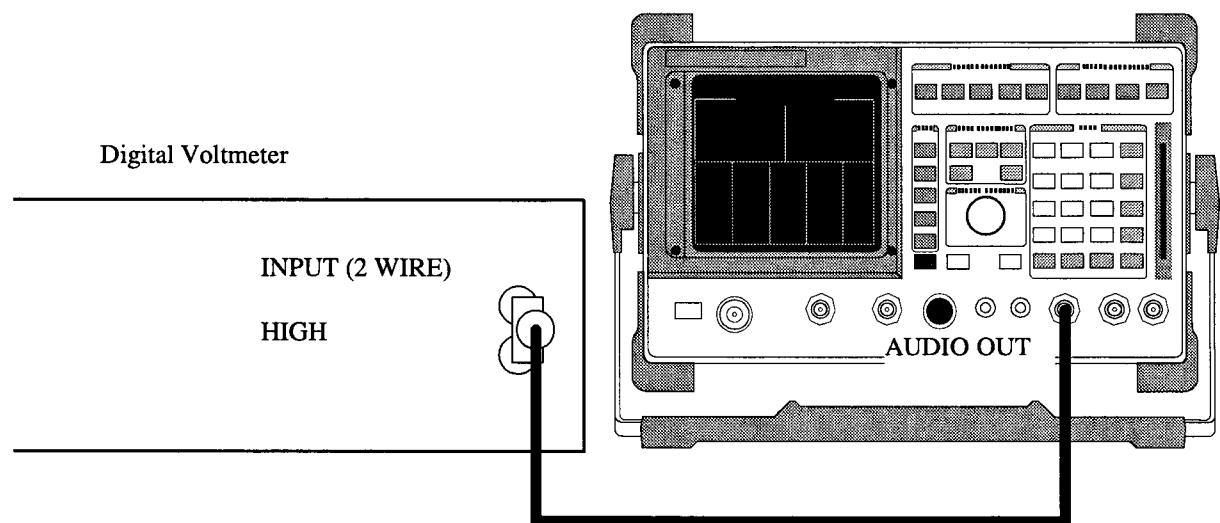
---

## AF Gen AC Level Accuracy Performance Test 13

### Description

There are two audio generators. AC level accuracy is measured directly by a digital voltmeter.

### Setup

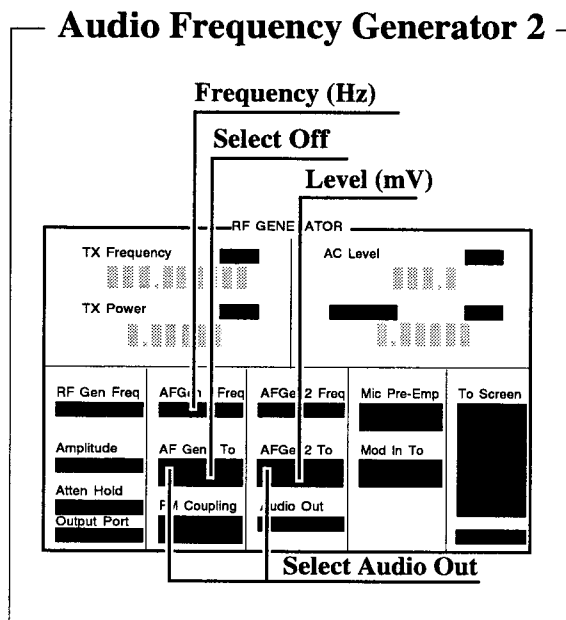
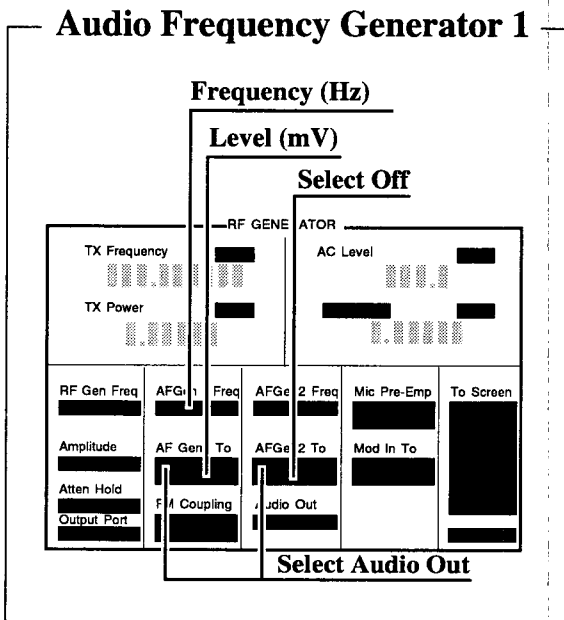


**Make the following digital voltmeter setting:**

- AC Volts

**Procedure**

1. Select the RF GENERATOR screen.
2. Set the AFGen1 To and AFGen2 To fields to Audio Out.
3. Set the Audio Out field to AC.



4. Audio Frequency Generator 1: Set the AFGen2 level to Off. Measure the AC voltage at the frequencies and levels shown in the PTR and compare the measured voltage to the limits shown in the PTR.

Audio Frequency Generator 2: Set the AFGen1 level to Off. Measure the AC voltage at the frequencies and levels shown in the PTR and compare the measured voltage to the limits shown in the PTR.

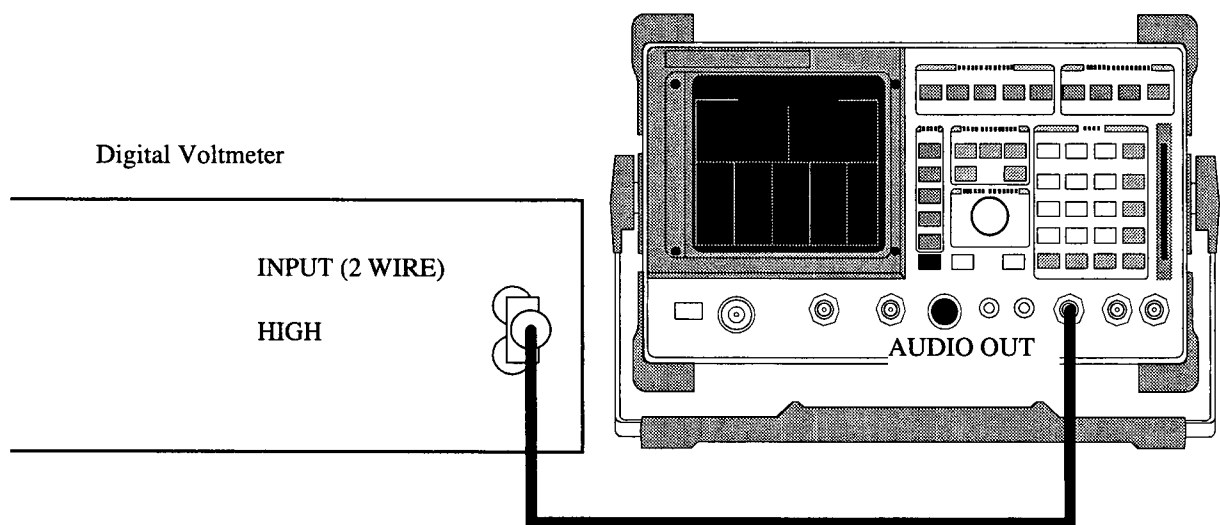
---

## AF Gen DC Level Accuracy Performance Test 14

### Description

There are two audio generators. DC level accuracy is measured directly by a digital voltmeter.

### Setup



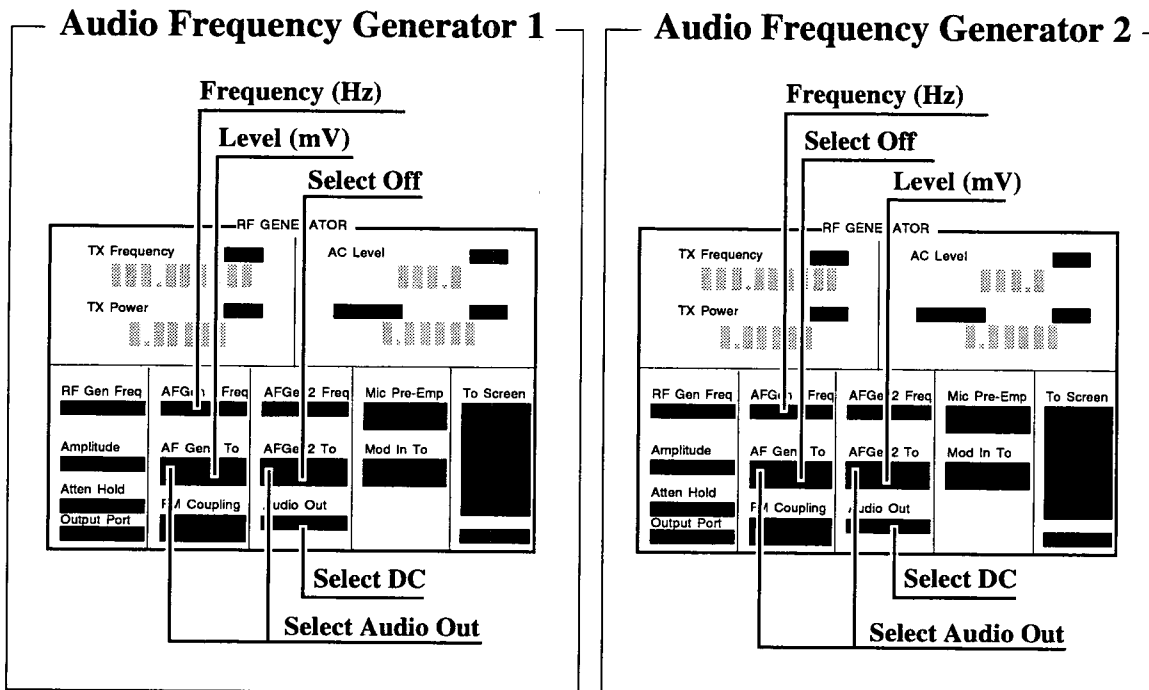
**Make the following digital voltmeter setting:**

- DC Volts



**Procedure**

1. Select the RF GENERATOR screen.
2. Set the AFGen1 To and AFGen2 To fields to Audio Out.
3. Set the AFGEN1 Freq and AFGen2 Freq fields to 0.0 Hz.
4. Set the Audio Out field to dc.



5. Audio Frequency Generator 1: Set the AFGen2 level to Off. Measure the dc voltage at the levels shown in the PTR and compare the measured voltage to the limits shown in the PTR.

Audio Frequency Generator 2: Set the AFGen1 level to Off. Measure the dc voltage at the levels shown in the PTR and compare the measured voltage to the limits shown in the PTR.

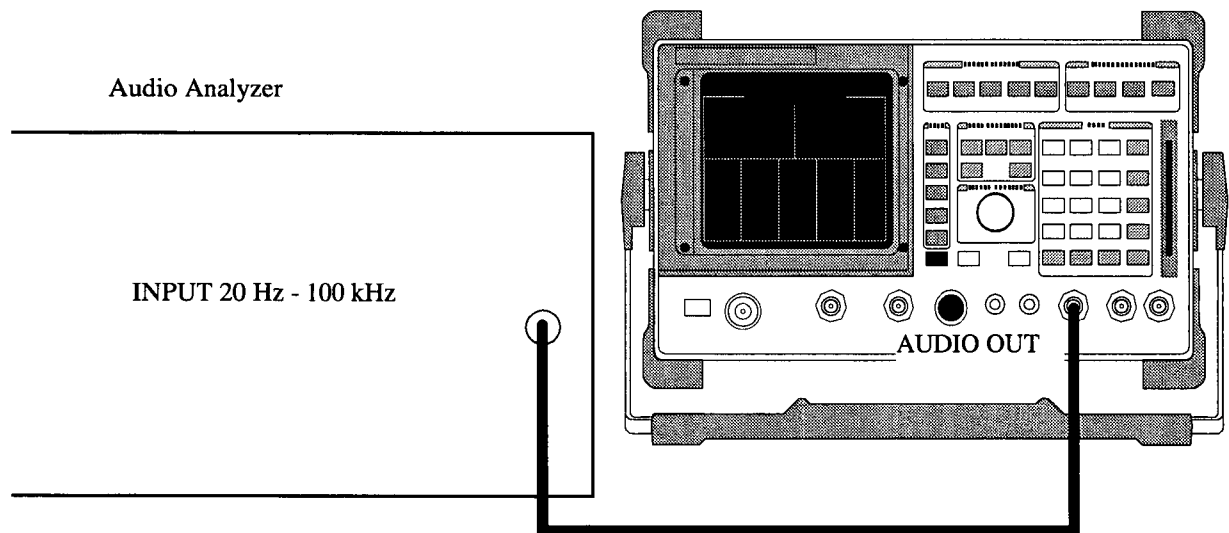
---

## AF Gen Residual Distortion Performance Test 15

### Description

Audio distortion is measured directly by an audio analyzer.

### Setup

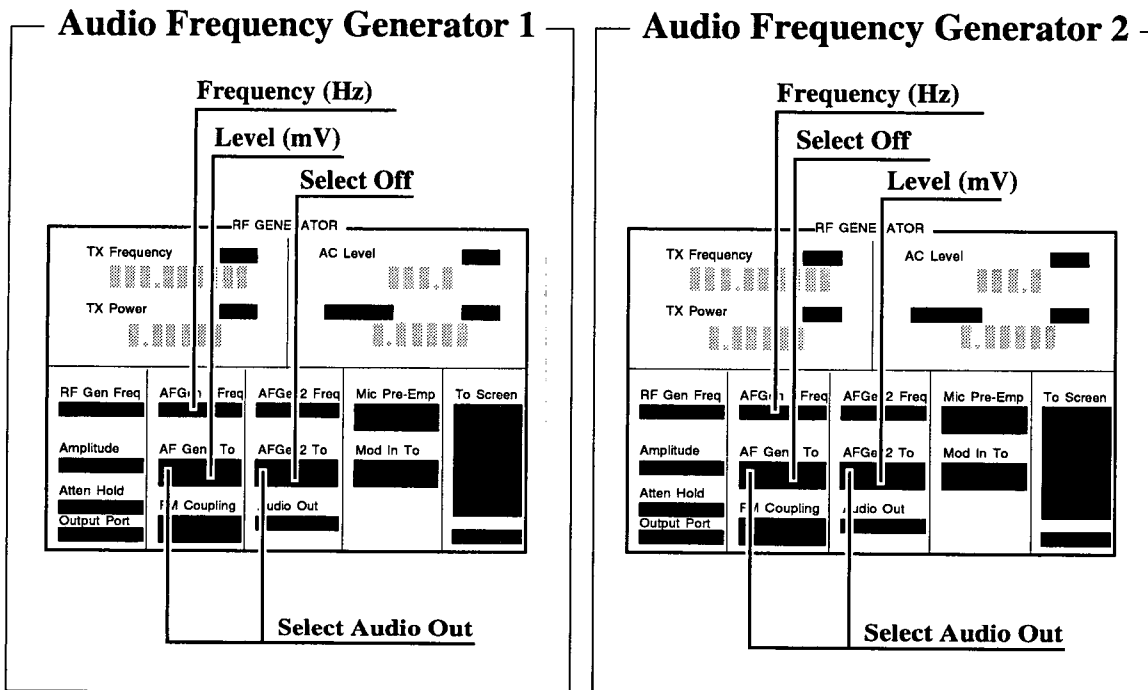


#### Make the following audio analyzer settings:

- Reset the audio analyzer
- 80 kHz Low-Pass Filter
- Distortion mode

**Procedure**

1. Select the RF GENERATOR screen.
2. Set the AFGen1 To and AFGen2 To fields to Audio Out.



3. Audio Frequency Generator 1: Set the AFGen2 level to Off. Measure the audio distortion at the frequencies and levels shown in the PTR and compare the measured distortion to the limits shown in the PTR.

Audio Frequency Generator 2: Set the AFGen1 level to Off. Measure the audio distortion at the frequencies and levels shown in the PTR and compare the measured distortion to the limits shown in the PTR.

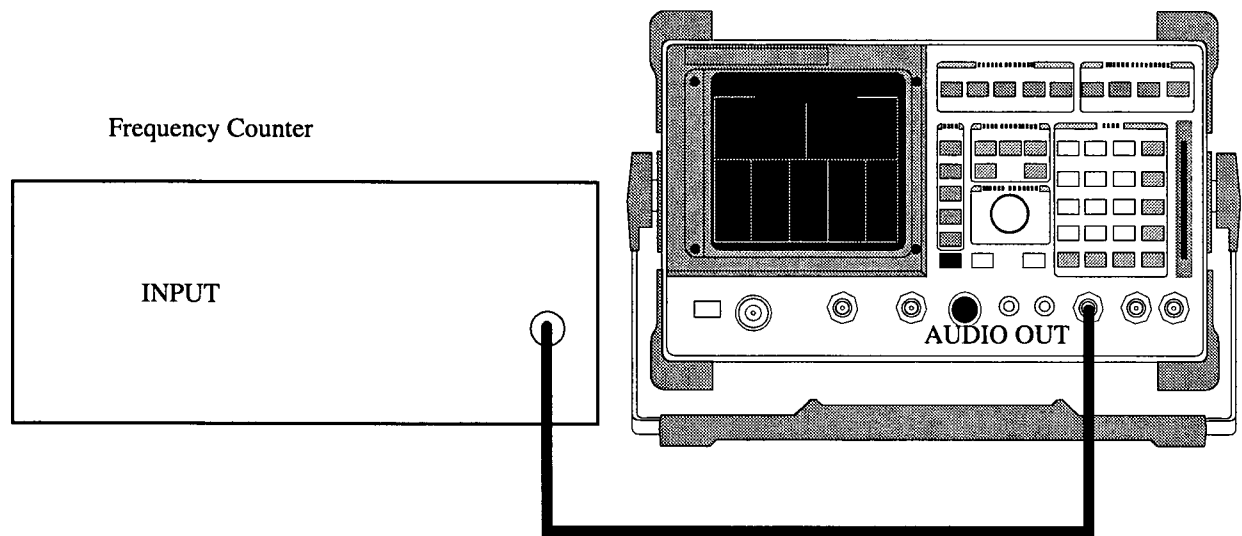
---

## AF Gen Frequency Accuracy Performance Test 16

### Description

Frequency accuracy is measured directly by a frequency counter. The counter must be able to resolve 0.005% at 20 Hz.

### Setup

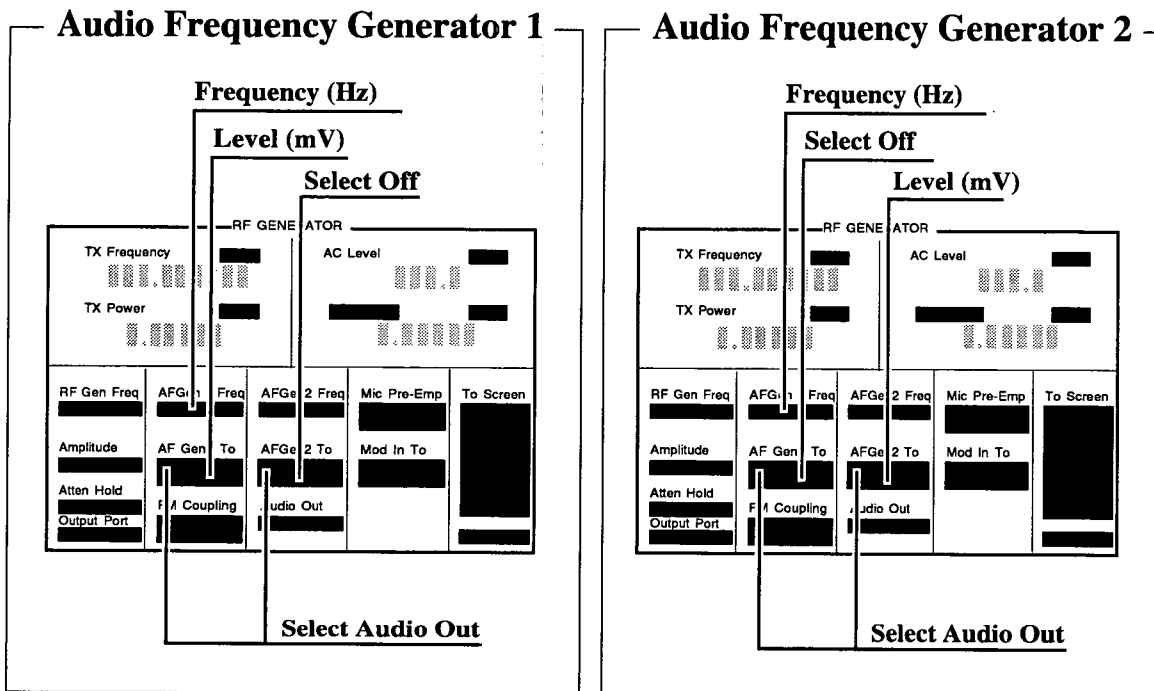


**Make the following frequency counter settings:**

- Select the counter to measure frequency.

**Procedure**

1. Select the RF GENERATOR screen.
2. Set the AFGen1 To and AFGen2 To fields to Audio Out.



3. Audio Frequency Generator 1: Set the AFGen2 to Off, and AFGen1 level to 1 V. Measure the audio frequency at the frequencies shown in the PTR and compare the results to the PTR.

Audio Frequency Generator 2: Set the AFGen1 to Off, and AFGen2 level to 1 V. Measure the audio frequency at the frequencies shown in the PTR and compare the results to the PTR.

---

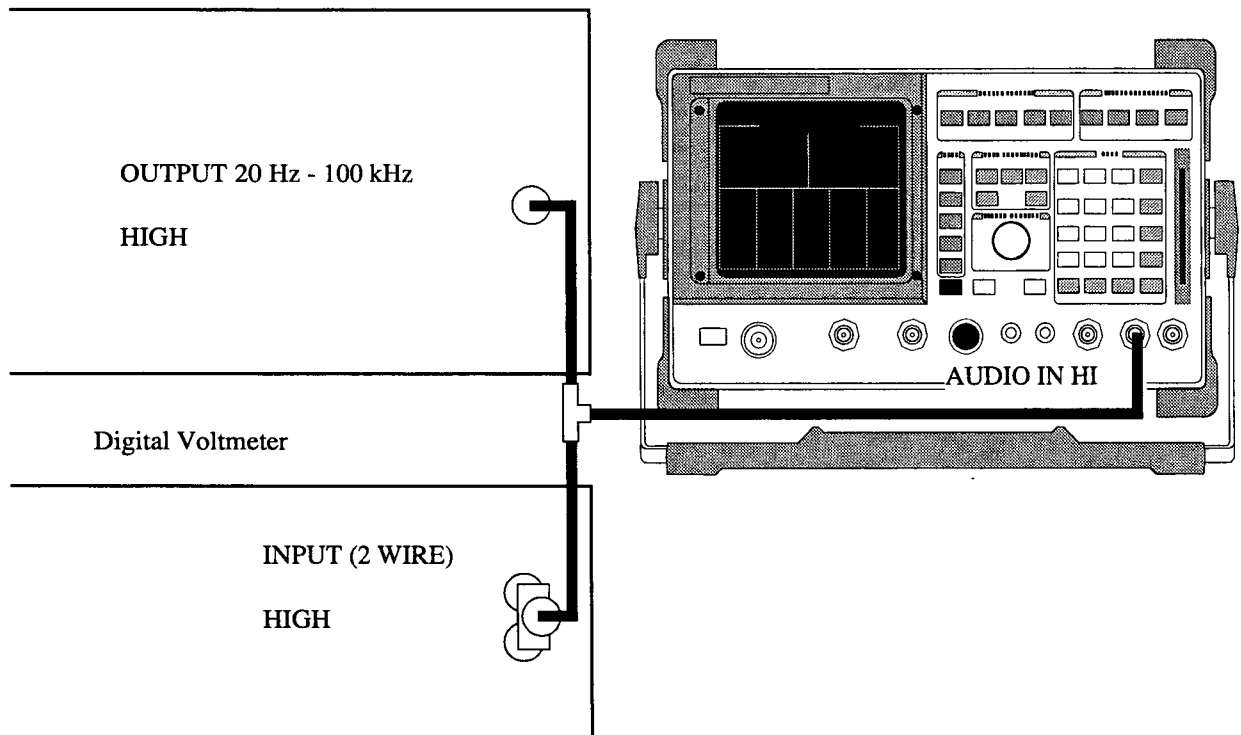
## AF Analyzer AC Voltage Accuracy Performance Test 17

### Description

To measure ac voltage accuracy, an ac signal is measured by an external multimeter and compared to the Test Set's internal ac voltmeter reading.

### Setup

Audio Analyzer

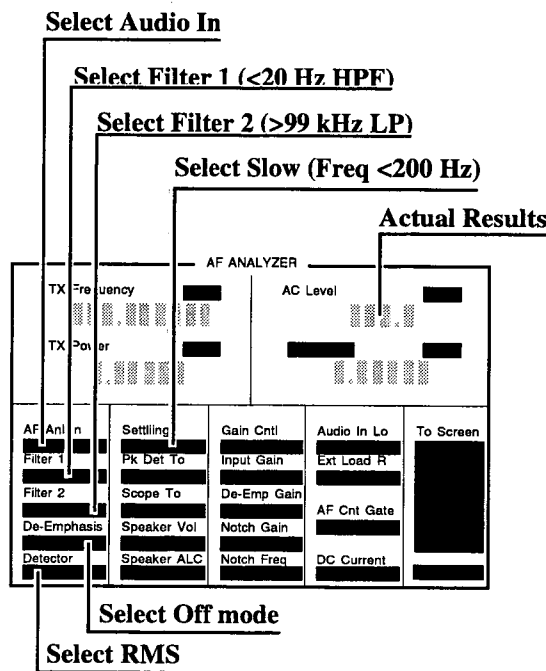


**Make the following digital voltmeter setting:**

- AC Volts

**Procedure**

1. Select the AF ANALYZER screen.
2. Set the AF Anl In field to Audio In.
3. Set Filter 1 to < 20 Hz HPF, and Filter 2 to > 99 kHz LPF.
4. Set the De-Emphasis field to Off.
5. Set the Detector field to RMS.
6. Set the Settling field to SLOW for frequencies < 200 Hz.



7. Set the audio analyzer's source to the frequencies and levels shown in the PTR (adjust the level until the DVM reads the correct level).
8. Measure the ac level on the Test Set.
9. Compare the measured ac level to the limits shown in the PTR.

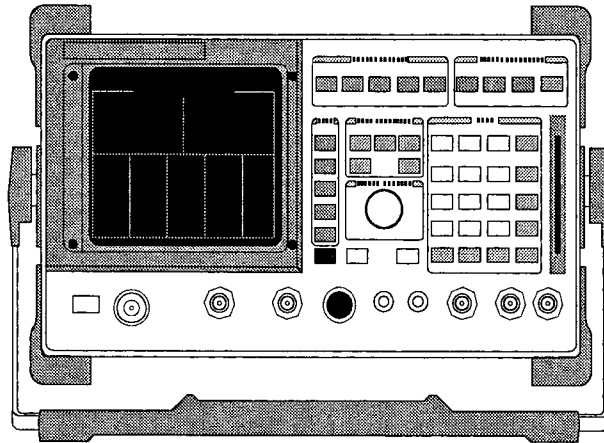
---

## AF Analyzer Residual Noise Performance Test 18

### Description

The ac level of the audio input is measured with no signal source connected.

### Setup

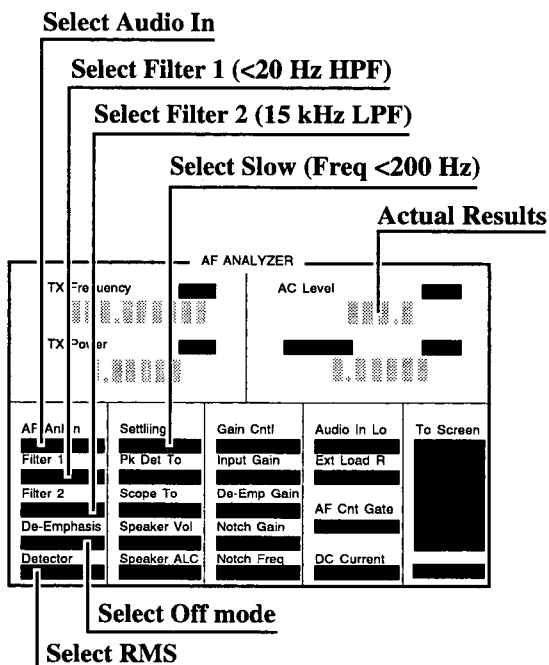


This test does not need external equipment or connections.



**Procedure**

1. Select the AF ANALYZER screen.
2. Set the AF Anl In field in field to Audio In.
3. Set Filter 1 to <20 Hz HPF and Filter 2 to 15 kHz LPF.
4. Set the De-Emphasis field to Off.
5. Set the detector field to RMS.



6. Measure ac level (Residual Noise). The upper limit is 150  $\mu$ V.

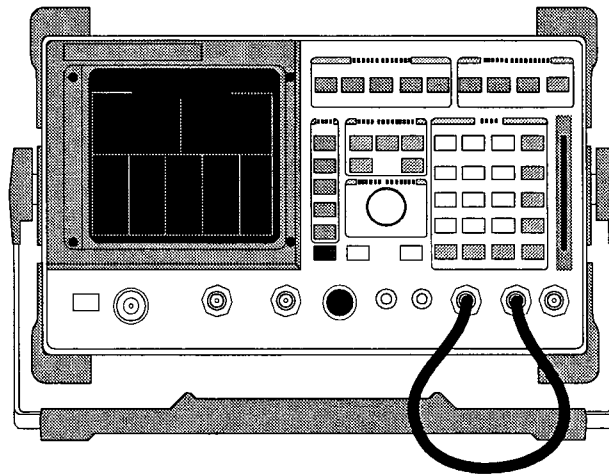
---

## AF Analyzer Distortion, SINAD, & SNR Accuracy Performance Test 19

### Description

A calibrated distortion source is created by summing the two internal audio generators. Levels are measured separately by the internal ac voltmeter. One source is set to a harmonic two or three times the frequency of the other. The measured distortion is compared with the calculated value.

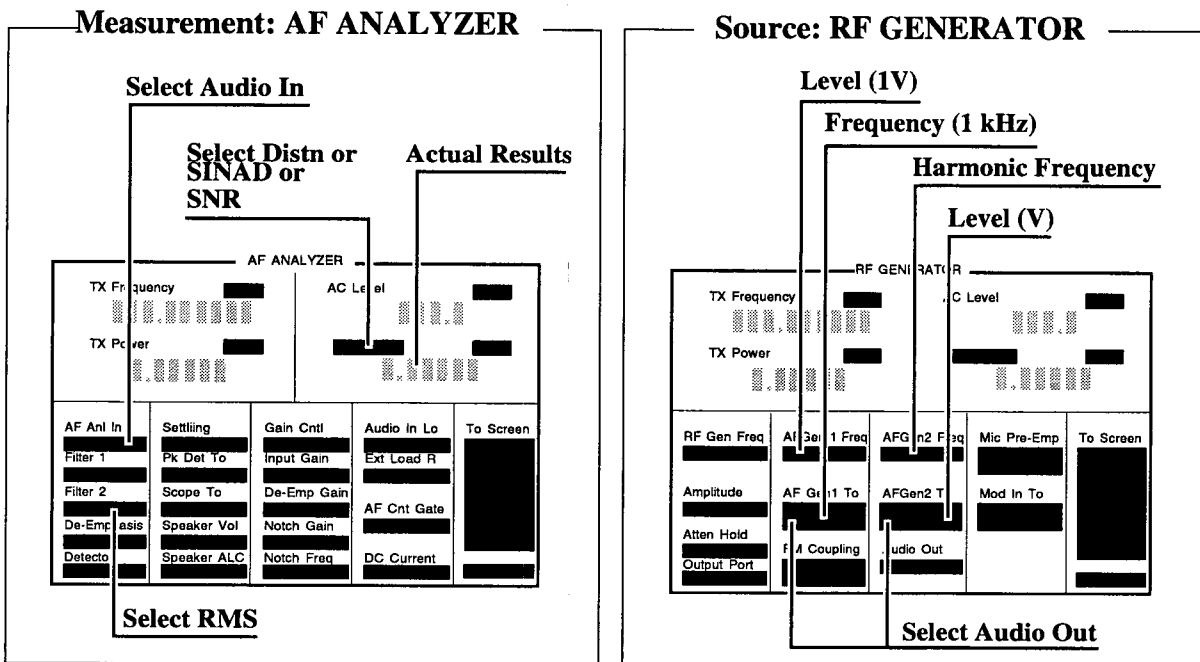
### Setup



This test does not require external equipment.

**Procedure**

1. Select the AF ANALYZER screen and set Filter 2 to 15 kHz LPF.
2. Select the RF GENERATOR screen and set the AFGen1 To and AFGen2 To fields to Audio Out.



3. Set AFGen1 Freq to 1 kHz and the AFGen1 level to 1 V.
4. Set AFGen2 Freq to the Harmonic frequencies shown in the PTR, and the AFGen2 level to the distortion product levels shown in the PTR.
5. Measure the distortion and SINAD at each frequency and level, and compare the measured results with the limits shown in the PTR.
6. Measure the SNR (Signal to Noise Ratio) at each harmonic and level shown in the PTR. Compare the results to the limits shown in the PTR.

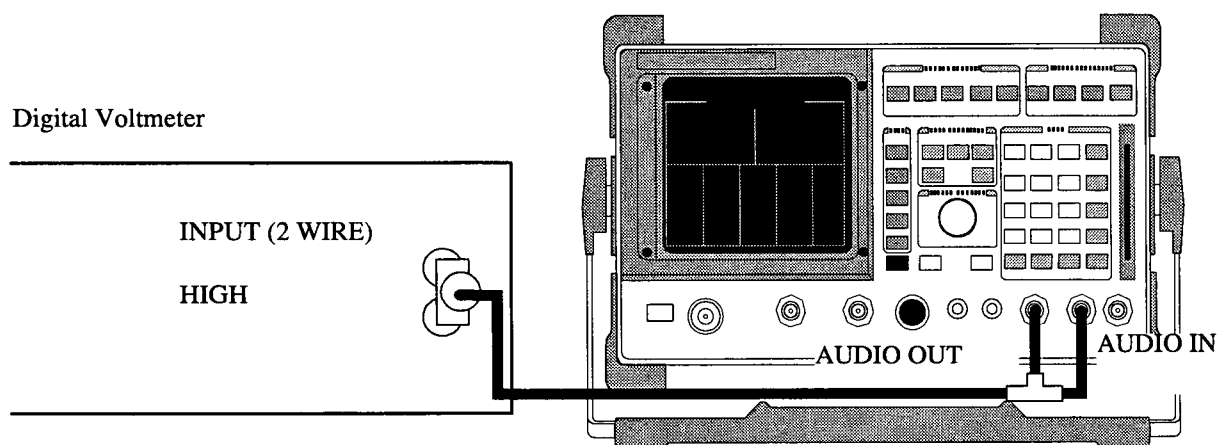
---

## AF Analyzer DC Level Accuracy Performance Test 20

### Description

To measure dc level accuracy, a dc signal is measured by an external digital voltmeter and compared to the Test Set's internal dc voltmeter reading.

### Setup

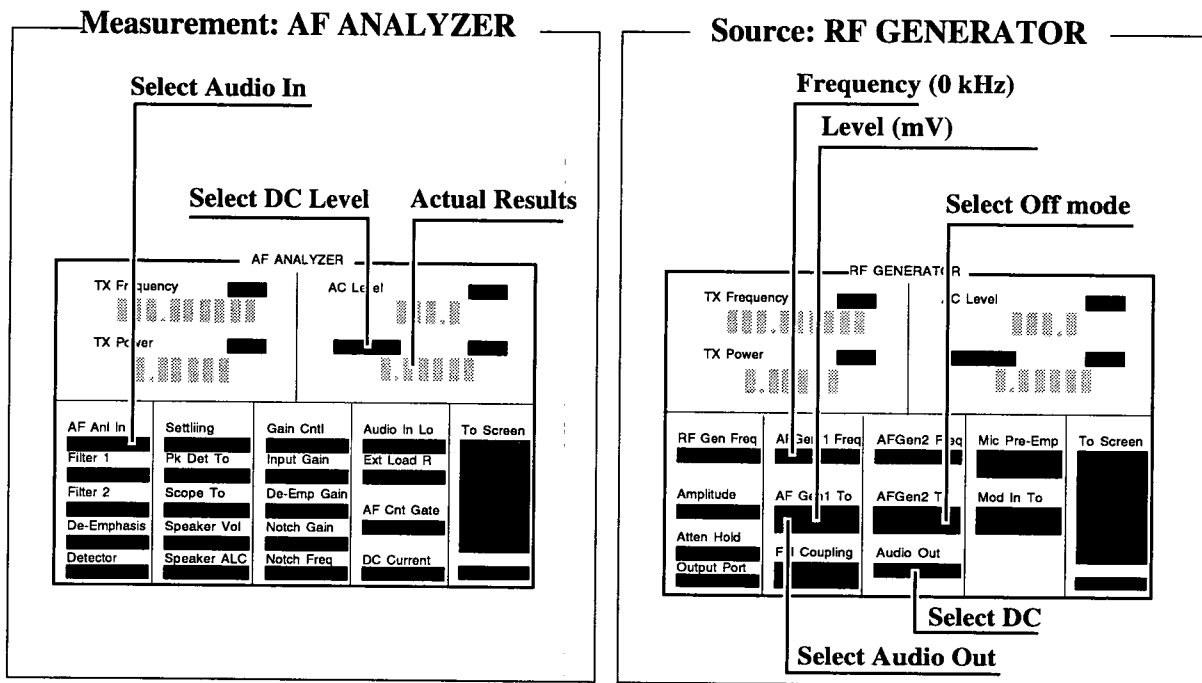


**Make the following digital voltmeter setting:**

- DC Volts

**Procedure**

1. Select the AF ANALYZER screen and set the AF Anl In field to Audio In, and the lower-right display to DC Level.
2. Select the RF GENERATOR screen, and set the AFGen1 Freq to 0 kHz, the AFGen1 To field to Audio Out, the AFGen2 To to Off, and the Audio Out field to DC.



3. Set the AFGen1 level to the levels shown in the PTR (adjust until the voltmeter reads the correct level).
4. Read the dc level and compare the reading to the limits shown in the PTR.

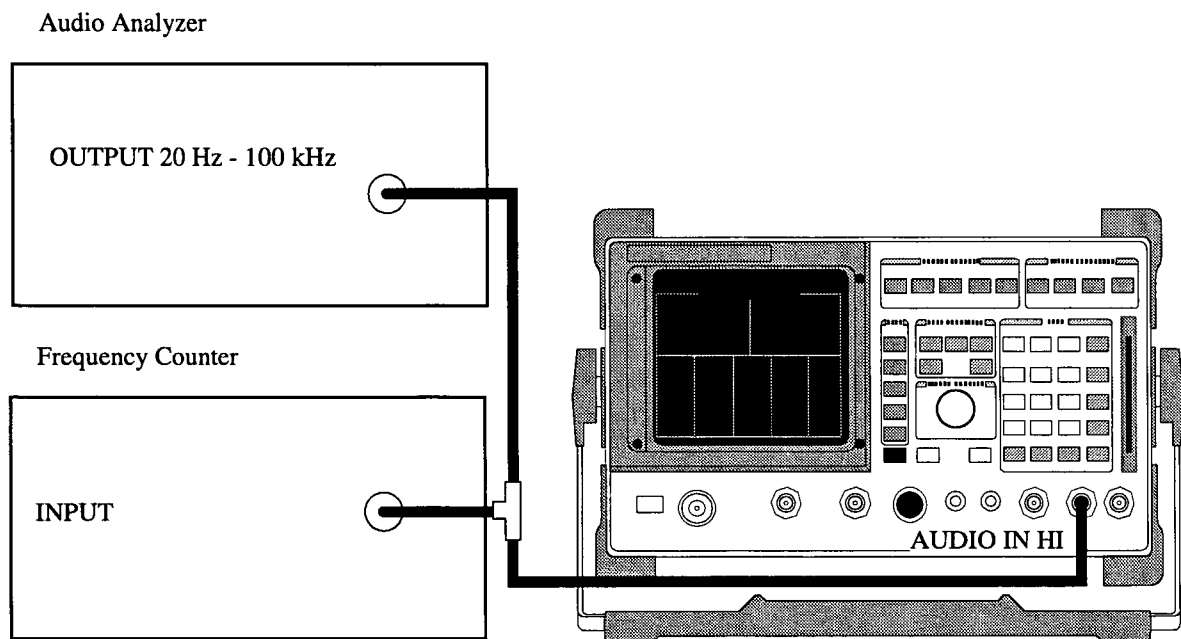
---

## AF Analyzer Frequency Accuracy to 100 kHz Performance Test 21

### Description

To measure frequency accuracy up to 100 kHz, an ac signal at the audio output is measured by the frequency counter and compared to the Test Set's internal audio frequency counter.

### Setup

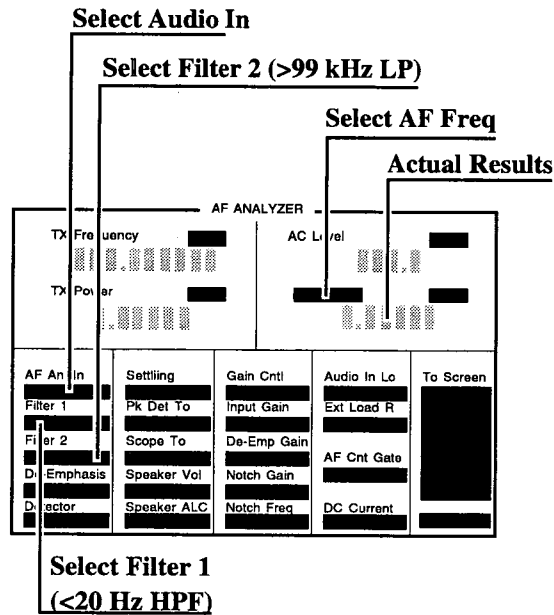


**Make the following frequency counter settings:**

- Select frequency

**Procedure**

1. Select the AF ANALYZER screen and set the AF Anl In field to Audio In, Filter 1 to <20 Hz HPF, Filter 2 to >99 Hz LPF, and the lower-right display to AF Freq.



2. Set the audio analyzer's source amplitude to 1 V, and the frequency to the values shown in the PTR (adjust until the frequency counter reads the correct frequencies).
3. Read the AF frequency on the frequency counter and compare the reading to the limits shown in the PTR.

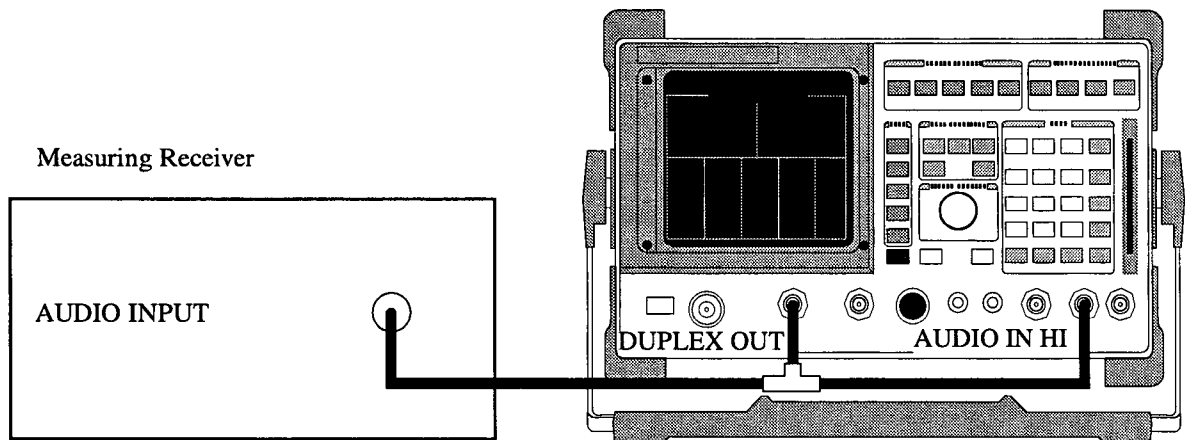
---

## AF Analyzer Frequency Accuracy at 400 kHz Performance Test 22

### Description

To measure frequency accuracy at 400 kHz, an AC signal at the duplex output is measured by the frequency counter in the measuring receiver and compared to the Test Set's internal RF counter.

### Setup



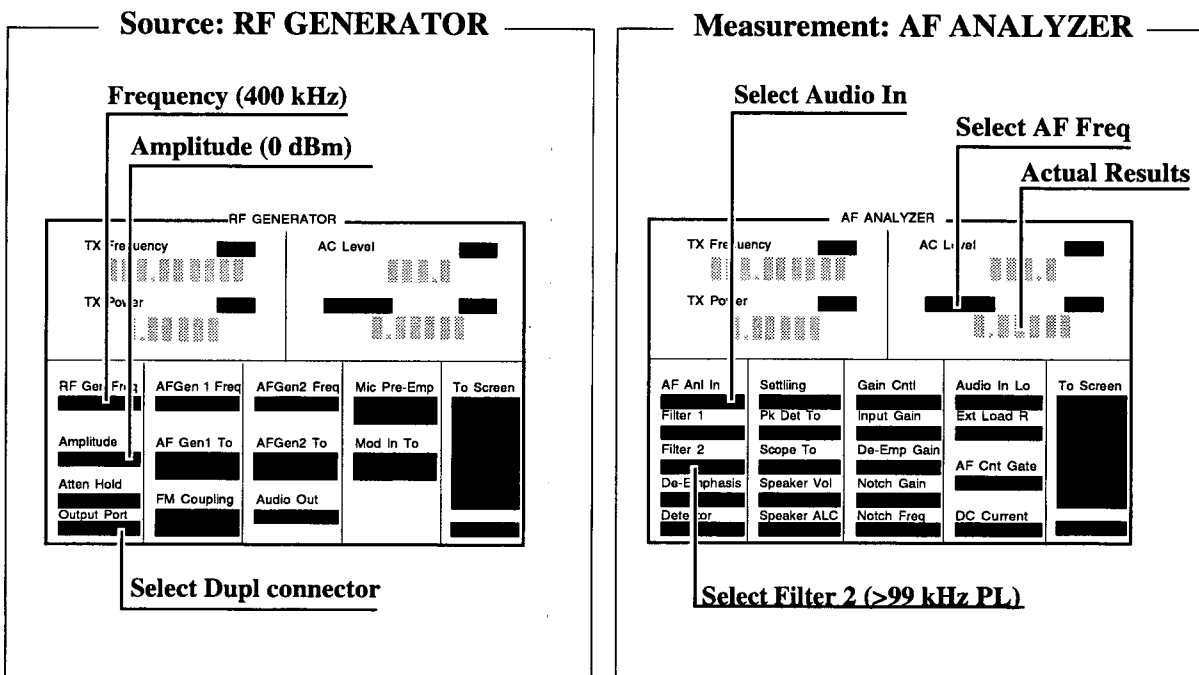
#### Make the following measuring receiver settings:

- Reset the measuring receiver
- Select Audio Freq
- Select Audio Input



**Procedure**

1. Select the RF GENERATOR screen, and set the RF Gen Freq to 400 kHz, the Output Port to Dupl, and the Amplitude to 0 dBm.
2. Adjust RF Gen Freq until the measuring receiver reads 400 kHz.



3. Select the AF ANALYZER screen, and set the AF Anl In field to Audio In, Filter 2 to >99 kHz LP, and the lower-right display to AF Freq.
4. Read the AF Freq on the Test Set and compare the reading to the limits shown in the PTR.

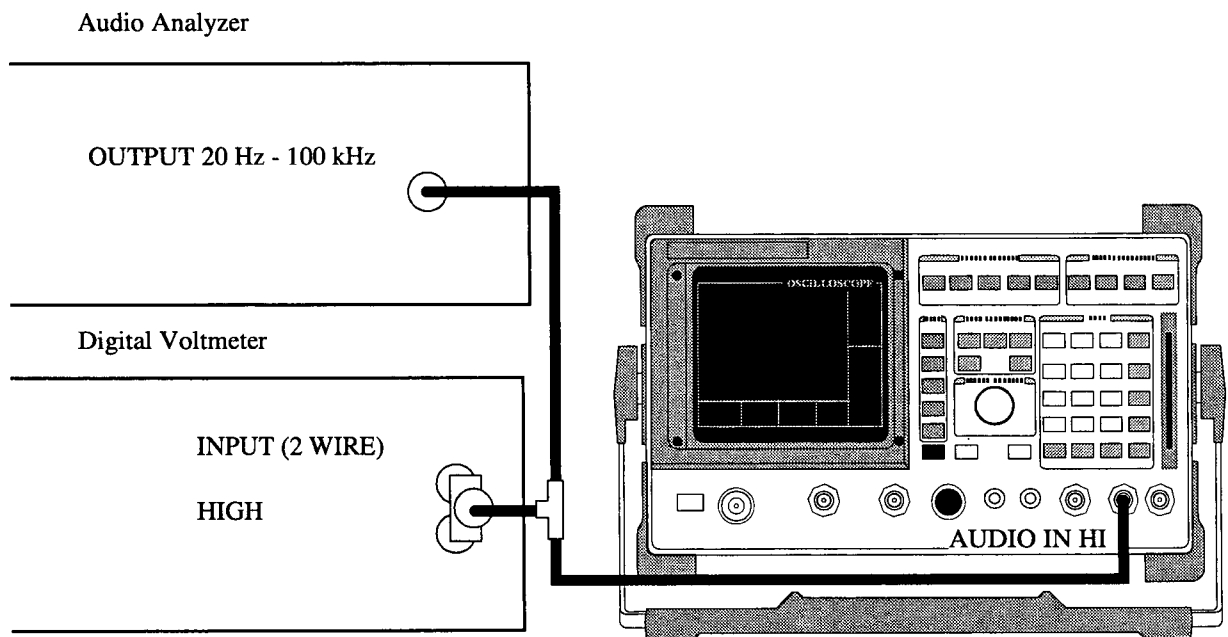
---

## Oscilloscope Performance Test 23

### Description

A 5 V ac signal from the audio analyzer is measured by both an external ac voltmeter and the Test Set's internal ac voltmeter. The measurement results are compared. Since the external ac voltmeter measures the RMS level, its level is multiplied by the square root of two to obtain the peak value measured by the oscilloscope.

### Setup

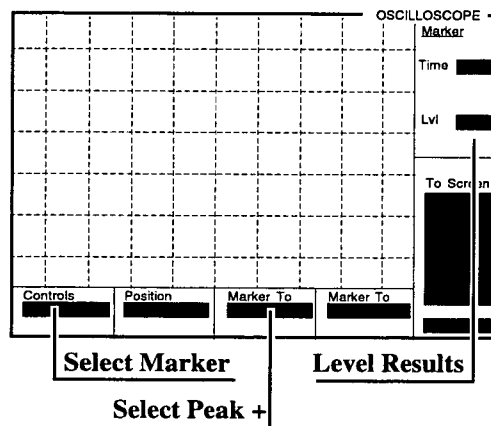


**Make the following digital voltmeter setting:**

- AC Volts

## Procedure

1. Select the AF ANALYZER screen. Set Filter 2 to >99 kHz and the AF Anl In field to Audio In.
2. Select the OSCILLOSCOPE screen.
3. Set the Controls field to Marker and move the cursor to the Marker To Peak+ field.



4. Set the audio analyzer's source to 5 V (adjust until the digital voltmeter reads 5 V). Adjust the frequency to the frequencies shown in the PTR.
5. Each time the frequency is changed, adjust the Time/Div on the Test Set to display 2 to 3 waveforms.
6. At each frequency, push the knob (with the cursor at the Marker To Peak+ field), to move the marker to the peak of the waveform. Read the Marker Lvl and compare the reading to the limits shown in the PTR.

---

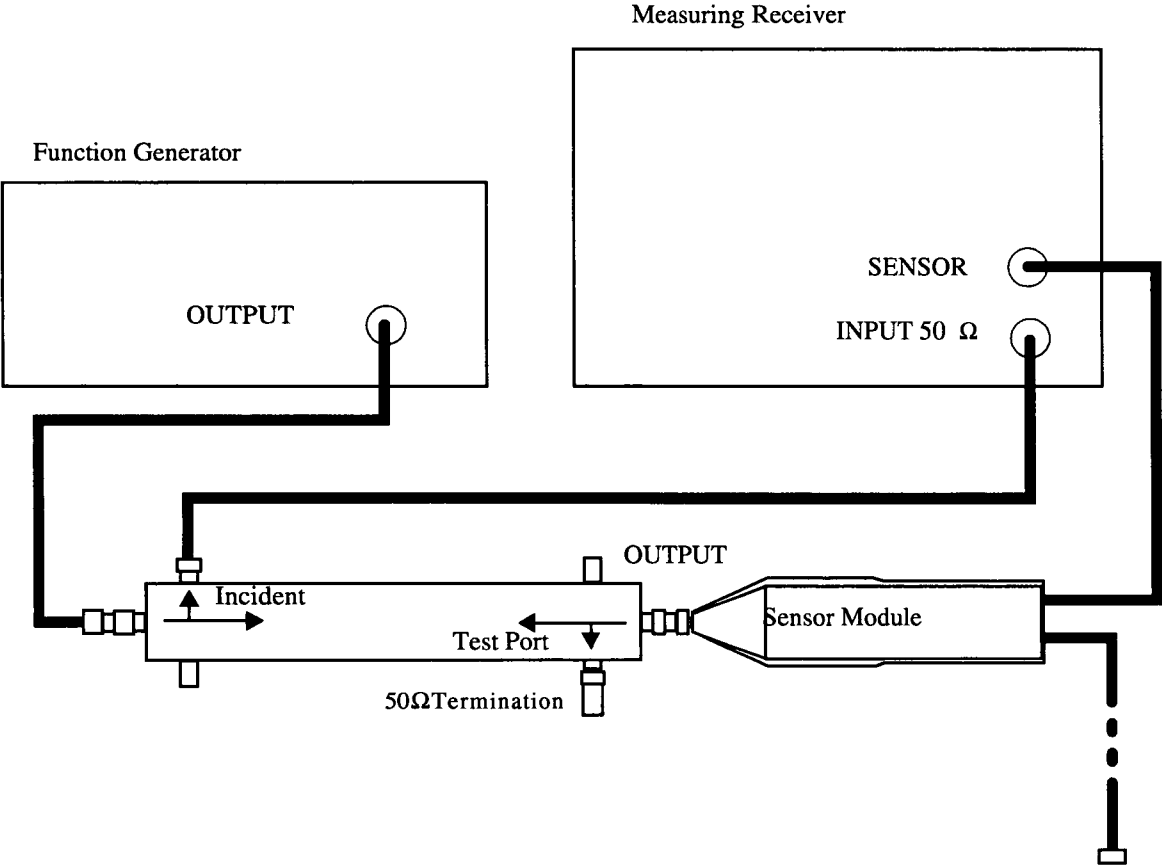
## RF Analyzer Level Accuracy Performance Test 24

### Description

A function generator's level is set to approximately 500 mW and measured with a power meter. Then, the power is measured with the unit-under-test, and the two measurements are compared.

A dual directional coupler is used to minimize mismatch uncertainty.

### Calibration setup



**Make the following function generator settings:**

- Frequency: 50 MHz
- Level: 14 V
- Waveform: Sine

---

**NOTE:**

Make sure the function generator is warmed up so the frequency doesn't drift excessively during the measurement.

---

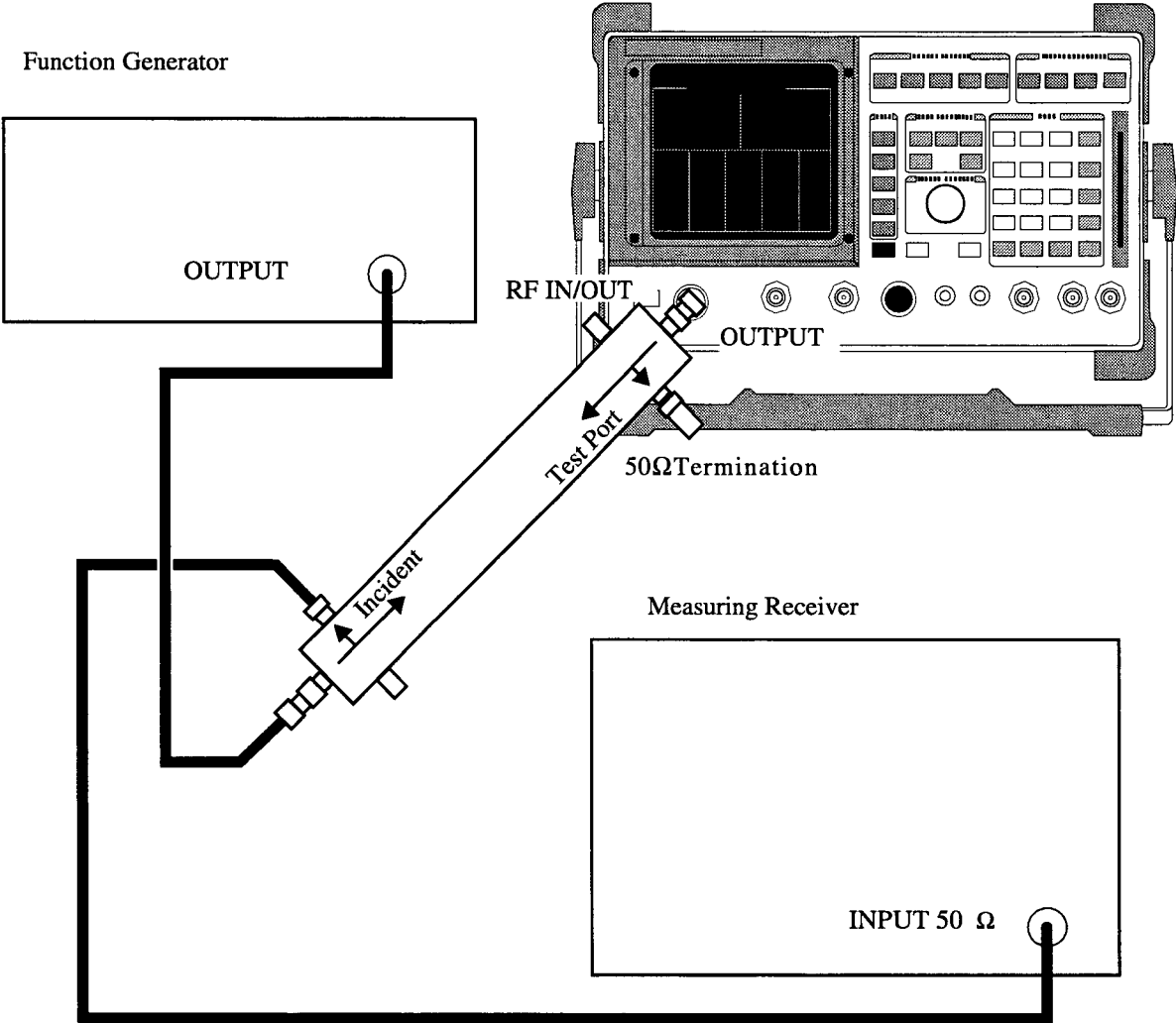
**Make the following measuring receiver settings:**

- Input frequency: 50 MHz
- Track mode
- RF Power measurement
- 4.4 SPCL
- 8.3 SPCL

**Calibration procedure**

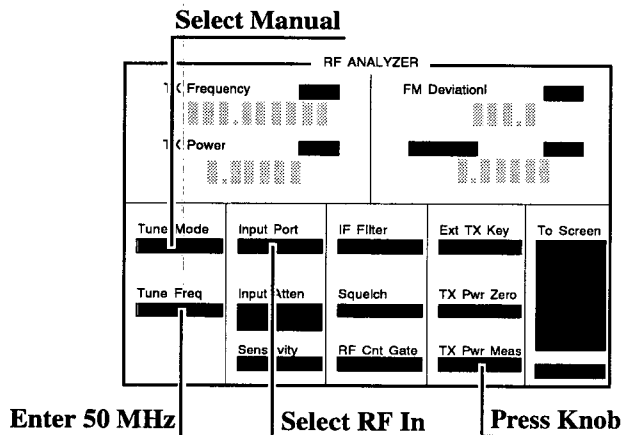
1. Make an RF POWER measurement, in watts, with the measuring receiver. Record the measured power as Reference power in step 9 of the *Measurement Procedure*.
2. Disconnect the sensor cable at the measuring receiver (leave the sensor connected to the directional coupler so it will be terminated into 50  $\Omega$ ).
3. Make a TUNED RF LEVEL measurement, in watts, with the measuring receiver. Record the measured level as Tuned RF #1 in step 9 of the *Measurement Procedure*.

Measurement setup



### Measurement procedure

1. Make a TUNED RF LEVEL measurement, in watts, with the measuring receiver. Record the measured level as Tuned RF #2 in step 9 of the *Measurement Procedure*.
2. Select the RF ANALYZER screen.
3. Set the Tune Mode field to Manual.
4. Set the Tune Freq field to 50 MHz.
5. Set the Input Port field to RF In.
6. Zero the power meter:
  - .1 Temporarily disconnect the unit-under-test's input.
  - .2 Move the cursor to the TX Pwr Zero field and press the knob.



7. Connect the output of the directional coupler to the unit-under-test's RF IN/OUT connector. Connect the directional coupler directly to the unit-under-test without using a cable.
8. Read the TX Power field, in watts, and record it as UUT Power in step 9 of the *Measurement Procedure*.
9. Calculate the Measured Power as follows:

$$\text{Measured Power} = 500 \text{ mW} * \left[ \left( \frac{\text{UUT Power}}{\text{Reference Power}} \right) \left( \frac{\text{Tuned RF \#1}}{\text{Tuned RF \#2}} \right) \right]$$

The result is in mW. Record the results in the PTR.

10. Set the Function Generator to 8.90 V.
11. Repeat the Calibration and Measurement procedures substituting 200 mW in the formula of step 9.



---

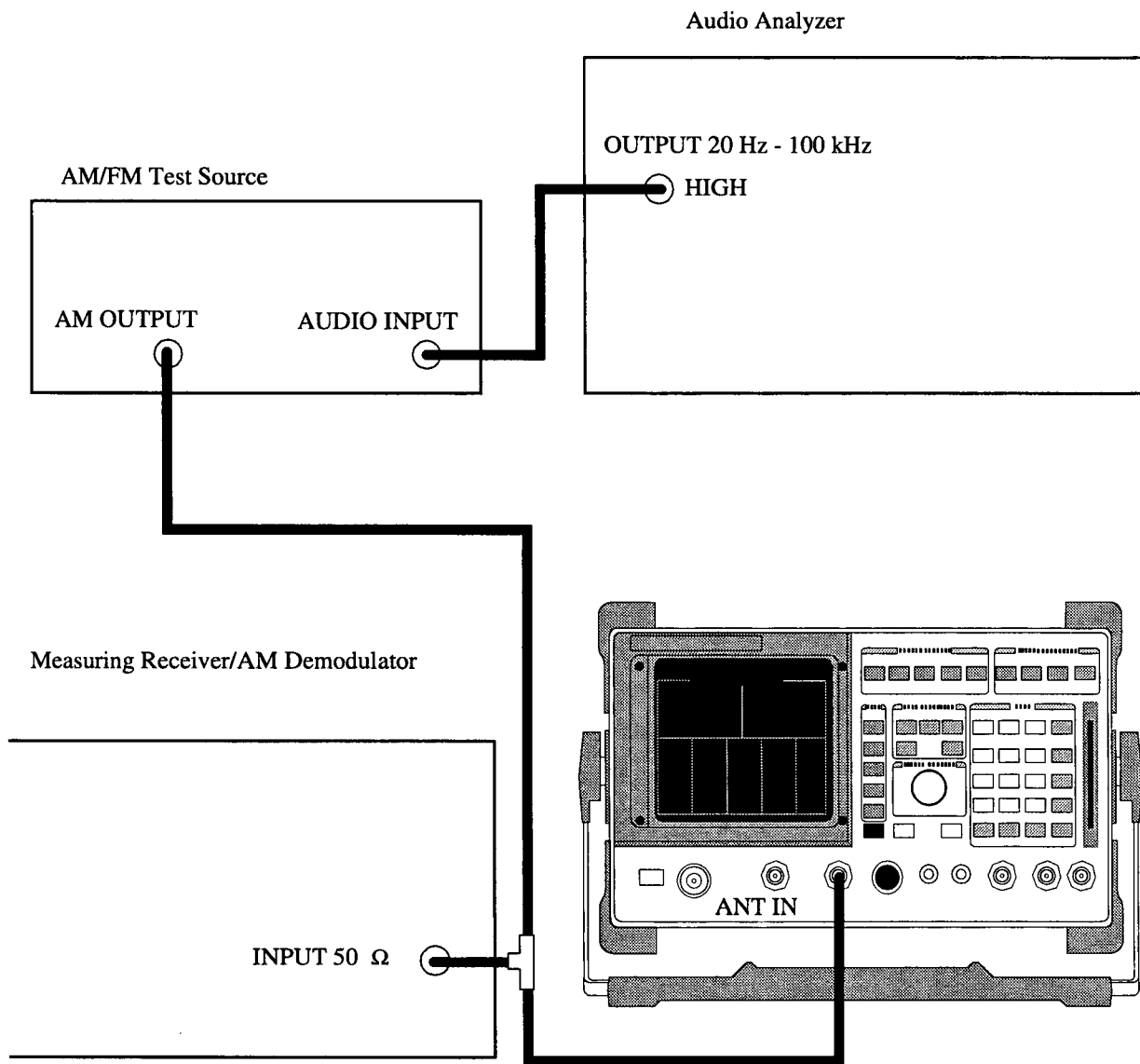
## **RF Analyzer AM Accuracy Performance Test 25**

### **Description**

The AM/FM test source provides the RF signal with AM. The signal is measured both by the Test Set's internal RF analyzer and the measuring receiver.

The AM signal comes from the external audio source in the audio analyzer. The audio level is varied until the modulation is at the desired level as measured by the measuring receiver. The signal from the AM/FM test source has much lower AM distortion, lower noise, and wider bandwidth than the receiver in the Test Set's internal RF analyzer.

## Setup



**Make the following AM/FM test source setting:**

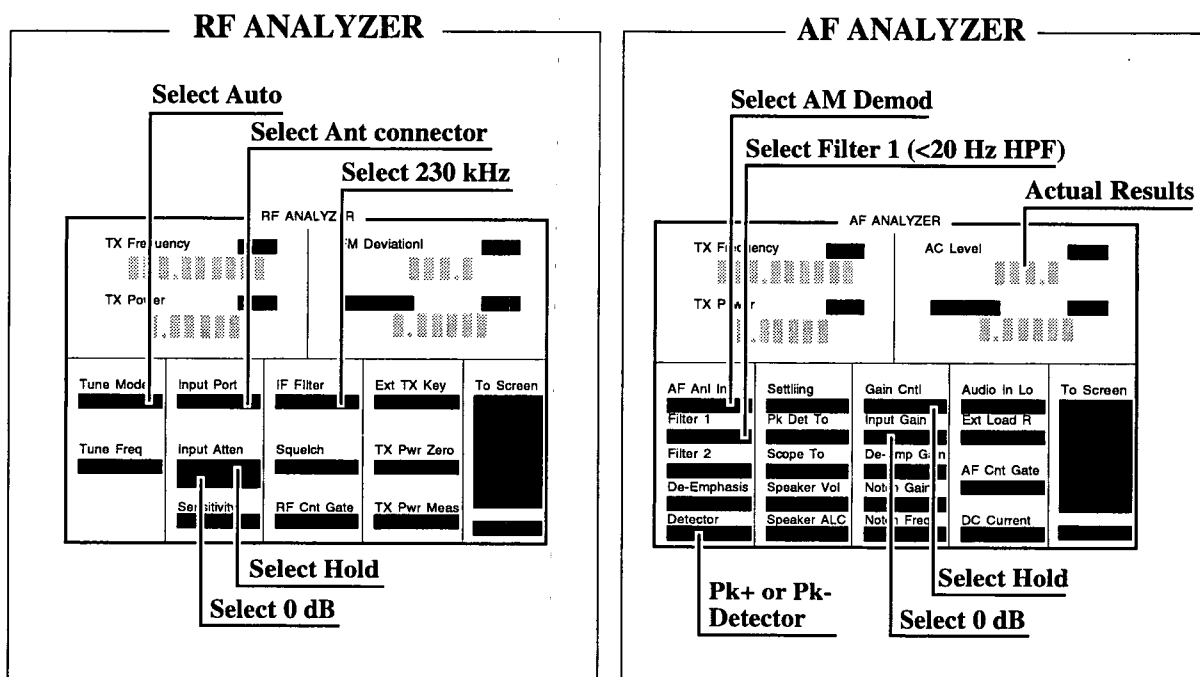
- Test Mode: AM

**Make the following measuring receiver settings:**

- Reset the measuring receiver
- <20 Hz High-Pass Filter
- AM Mode

**Procedure**

1. Select the RF ANALYZER screen and set the Tune Mode to Auto, the Input Port to Ant, Input Atten to Hold and 0 dB, and the IF filter to 230 kHz.
2. Select the AF ANALYZER screen and set the AF Anl In field to AM Demod, Filter 1 to <20 Hz HPF, the Gain Cntl to Hold, and the Input Gain to 0 dB.



3. Set the AF Analyzer Detector field to PK+ or PK- as shown in the PTR and set the audio analyzer's audio output amplitude and frequency to the depths and rates shown in the PTR.
4. Adjust the audio analyzer's audio output amplitude until the measuring receiver display indicates the correct depth.
5. Read the Test Set AM depth and compare the reading to the limits shown in the PTR.

---

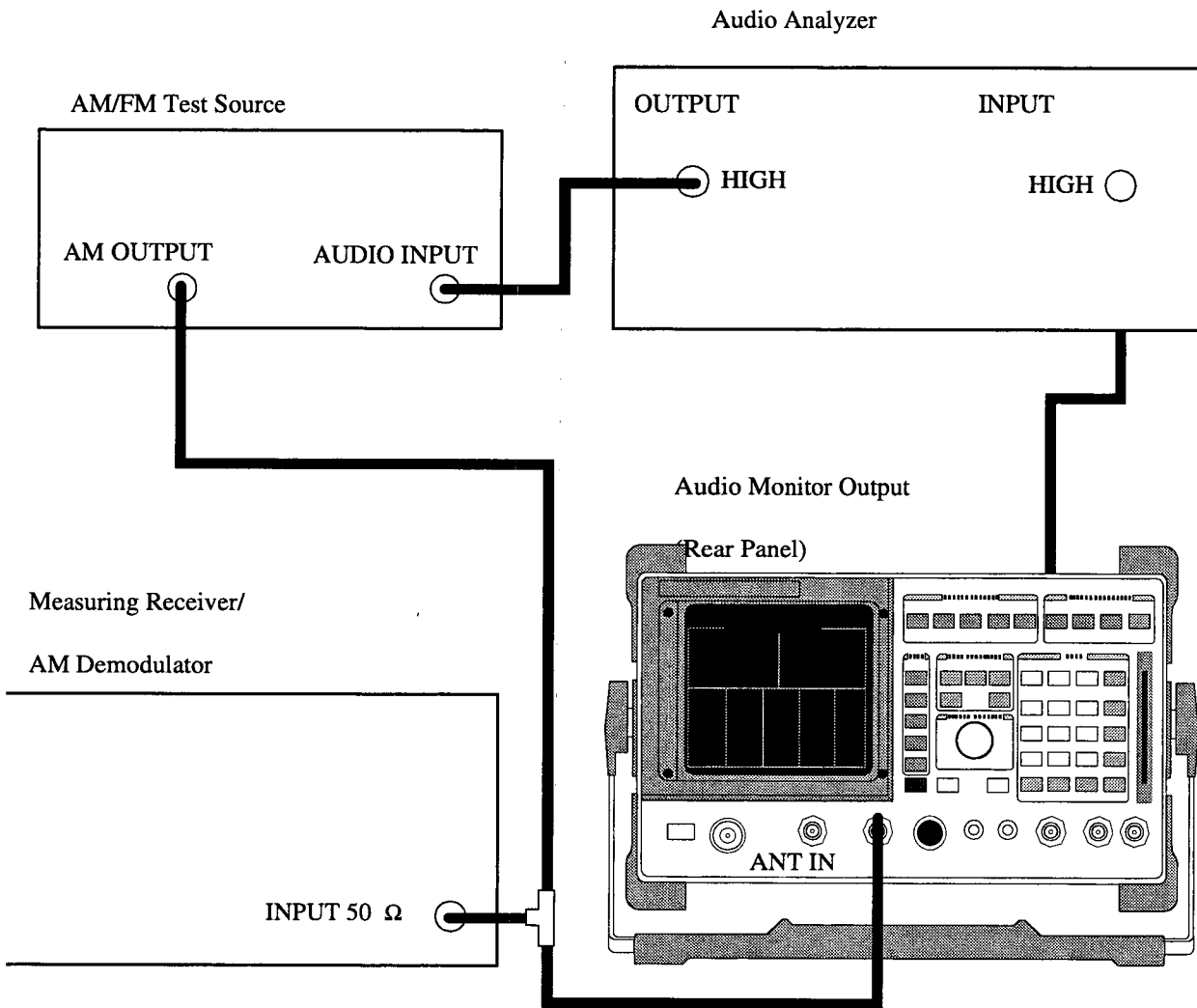
## **RF Analyzer AM Distortion Performance Test 26**

### **Description**

The AM source in the AM/FM test source provides the RF signal with AM. The signal is measured both by the Test Set's internal RF analyzer and the measuring receiver's AM demodulator.

The AM signal comes from the external audio source in the audio analyzer. The audio level is varied until the modulation is at the desired AM depth as measured by the AM demodulator. The distortion of the demodulated AM is measured by the external audio analyzer. The signal from the AM/FM test source has much lower AM distortion, lower noise, and wider bandwidth than the receiver in the Test Set's internal RF analyzer.

### Setup



**Make the following AM/FM test source setting:**

- Test Mode: AM

**Make the following measuring receiver settings:**

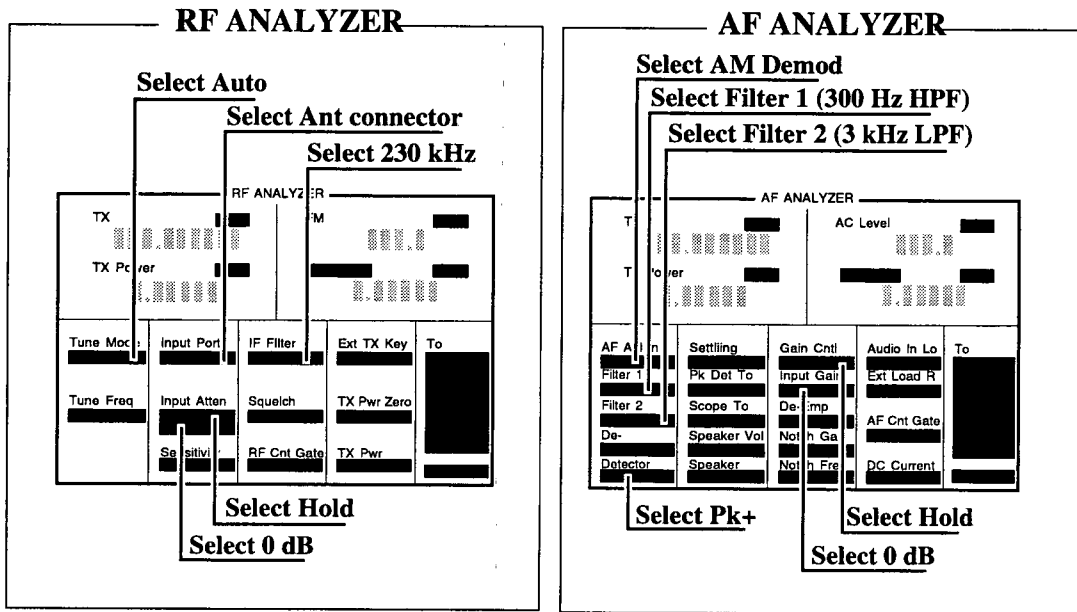
- Reset the measuring receiver
- AM Mode

**Make the following audio analyzer source settings:**

- Frequency: 1 kHz
- Distortion

**Procedure**

1. Select the RF ANALYZER screen and set the Tune Mode to Auto, the Input Port to Ant, the Input Atten to Hold and 0 dB, and IF Filter to 230 kHz.
2. Select the AF ANALYZER screen and set the AF Anl In field to AM Demod Filter 1 to 300 Hz HPF, Filter 2 to 3 kHz LPF, the Detector to Pk+, Gain Cntl to Hold and the Input Gain to 0 dB.



3. Set the audio analyzer's source's amplitude for the depths listed in the PTR (as measured by the measuring receiver).
4. Read the distortion for each depth on the audio analyzer and compare the reading to the limits shown in the PTR.

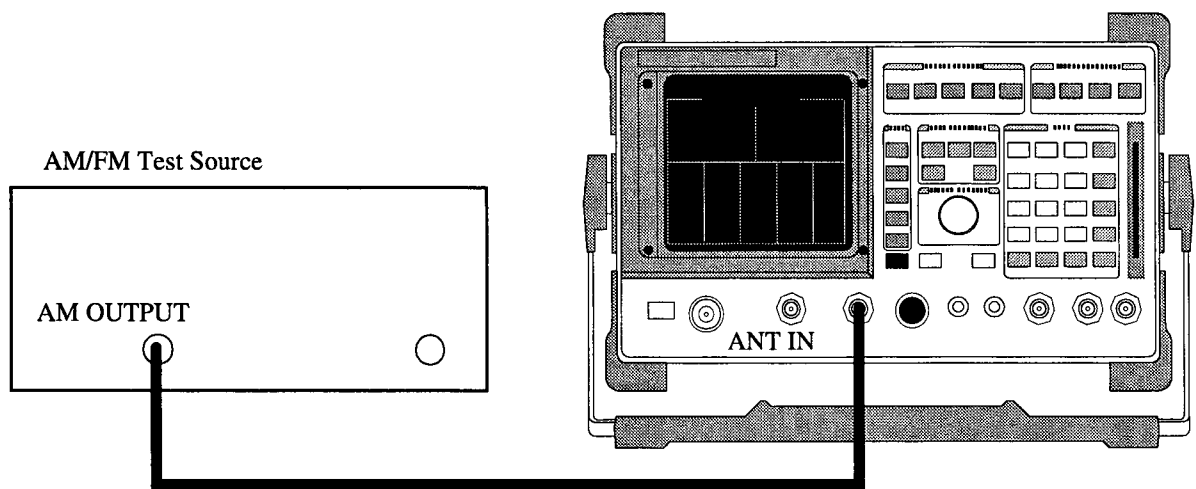
---

## RF Analyzer Residual AM Performance Test 27

### Description

The AM/FM test source provides a CW signal with little residual AM. The AM is measured by the Test Set's internal RF Analyzer.

### Setup



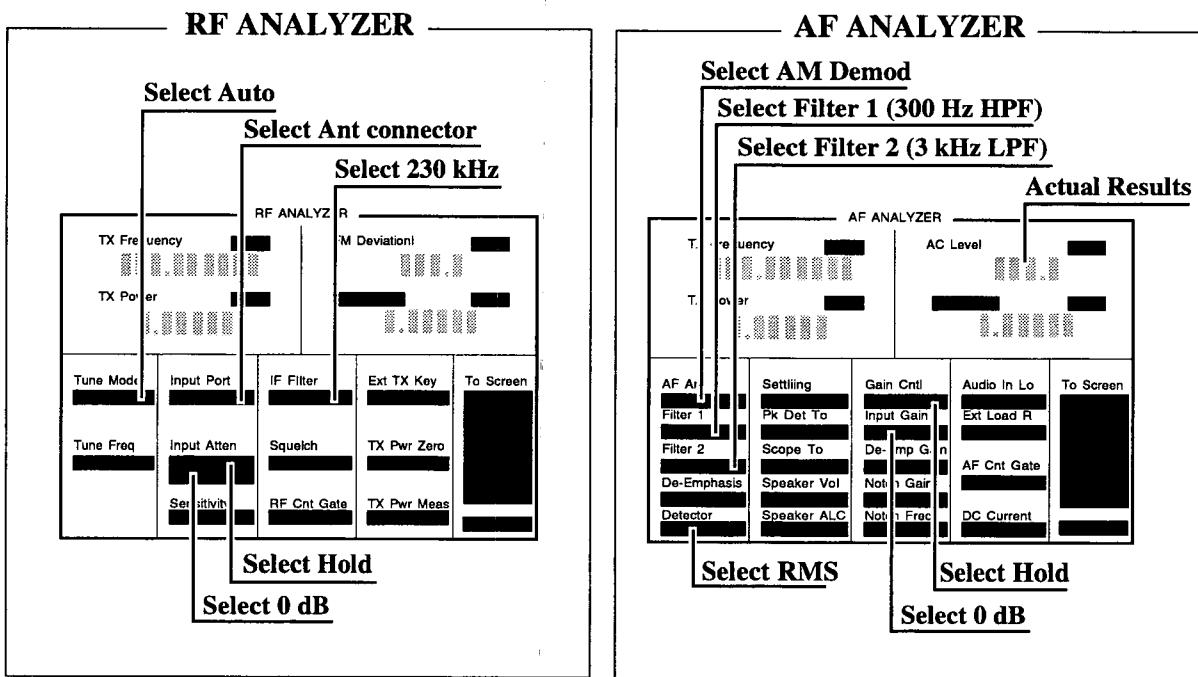
**Make the following AM/FM test source setting:**

- Test Mode: AM



**Procedure**

1. Select the RF ANALYZER screen and set the Tune Mode to Auto, the Input Port to Ant, the Input Atten to Hold and 0 dB, and the IF Filter to 230 kHz.
2. Select the AF ANALYZER screen and set the AF Anl In field to AM Demod, Filter 1 to 300 Hz LPF, Filter 2 to 3 kHz LPF, the Detector to RMS, Gain Cntl to Hold and the Input Gain to 0 dB.



3. Measure the residual AM on the AM Depth display. It must be less than 0.2%

---

## RF Analyzer FM Accuracy Performance Test 28

### Description

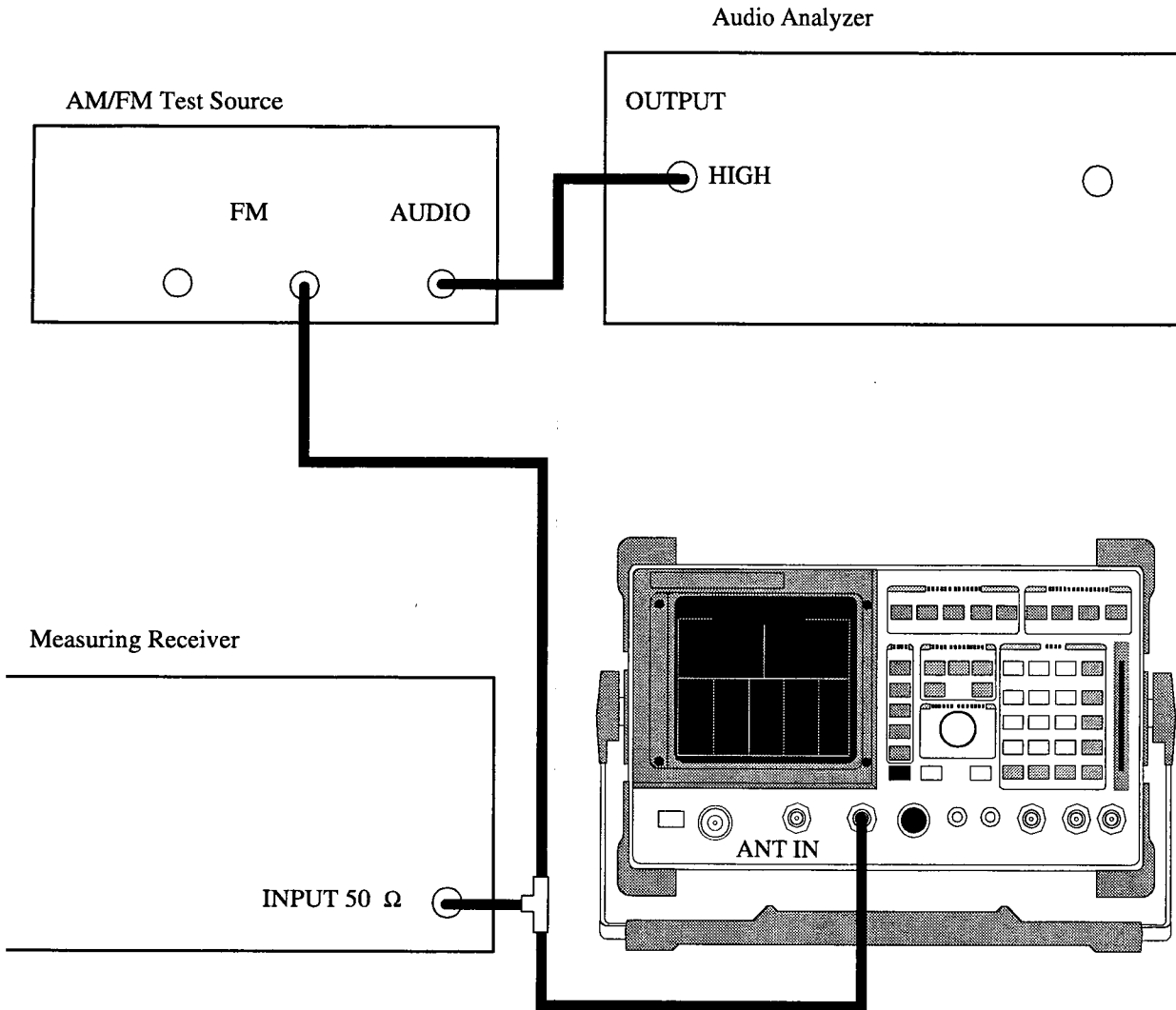
The AM/FM test source provides the RF signal with FM. The signal is measured both by the Test Set's internal RF analyzer and the measuring receiver's FM demodulator. The FM signal is generated from the audio analyzer's source. The audio level is varied until the modulation is at the desired level as measured by the measuring receiver. The signal from the AM/FM test source has much lower FM distortion, lower noise, and wider bandwidth than the receiver in the Test Set's internal RF analyzer.

---

**NOTE:** Use the AM/FM test source output labeled FM+32 for 12.5 MHz and the output labeled FM for 400 MHz. You can measure the frequency with the measuring receiver and adjust it with the CARRIER FREQUENCY TUNE knob, but the exact frequency isn't critical.

---

## Setup



**Make the following AM/FM test source setting:**

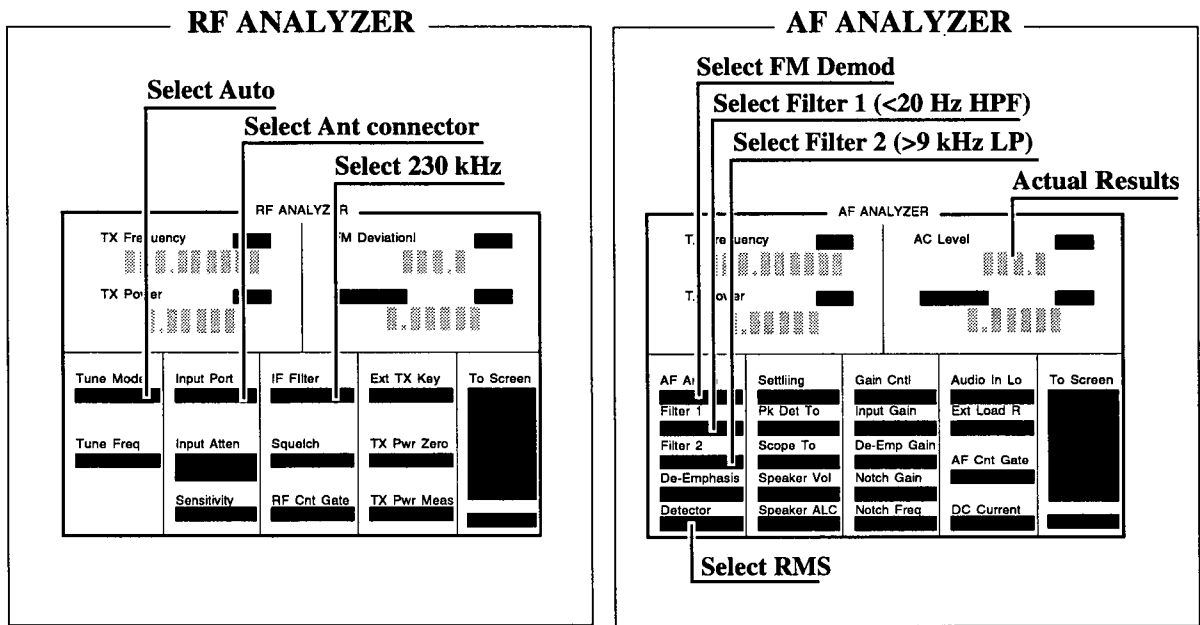
- Test Mode: FM

**Make the following measuring receiver settings:**

- Reset the measuring receiver
- FM Mode
- RMS Detector

**Procedure**

1. Select the RF ANALYZER screen and set Tune Mode to Auto, the Input Port to Ant, and the IF filter to 230 kHz.
2. Select the AF ANALYZER screen and set the AF Anl In field to FM Demod, Filter 1 to <20 Hz HPF, Filter 2 to >99 kHz LP, and the Detector to RMS.



3. Set the audio analyzer to the frequency (audio rate) shown in the PTR (adjust the audio analyzer's amplitude until the measuring receiver reads the correct deviation).
4. Read the FM deviation on the Test Set and compare it to the limits shown in the PTR.

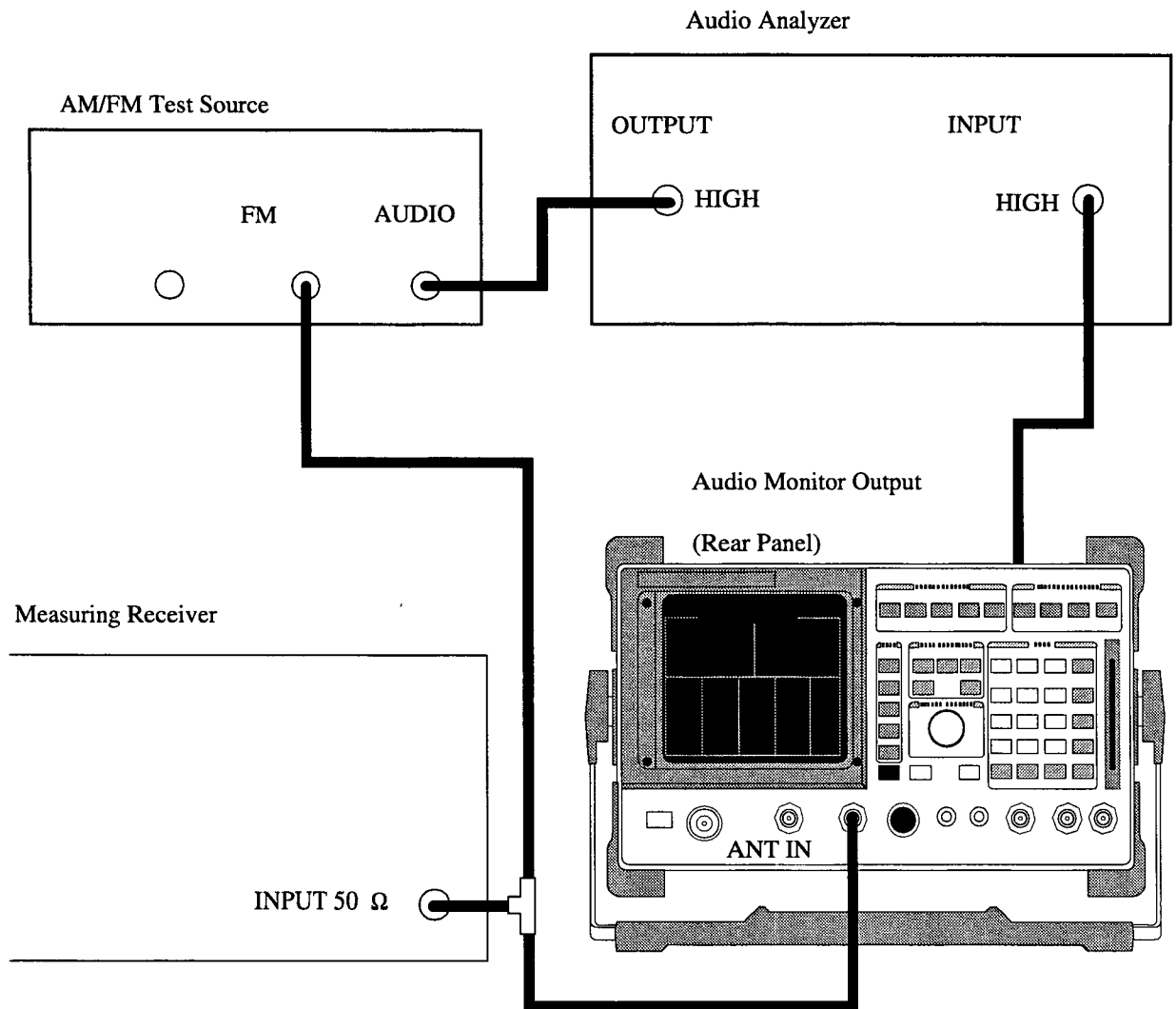
---

## **RF Analyzer FM Distortion Performance Test 29**

### **Description**

The AM/FM test source provides the RF signal with FM. The signal is measured both by the Test Set's internal RF analyzer and the measuring receiver. The FM signal comes from the external audio analyzer. The audio level is varied until the modulation is at the desired FM deviation as measured by the measuring receiver. The distortion of the demodulated FM is measured by the external audio analyzer. The signal from the AM/FM test source has much lower FM distortion, lower noise, and wider bandwidth than the receiver in the Test Set's internal RF analyzer.

### Setup



**Make the following AM/FM test source setting:**

- Test Mode: FM

**Make the following measuring receiver settings:**

- Reset the measuring receiver
- FM Mode
- 300 Hz High-Pass Filter
- 3 kHz Low-Pass Filter

**Make the following audio source setting in the audio analyzer:**

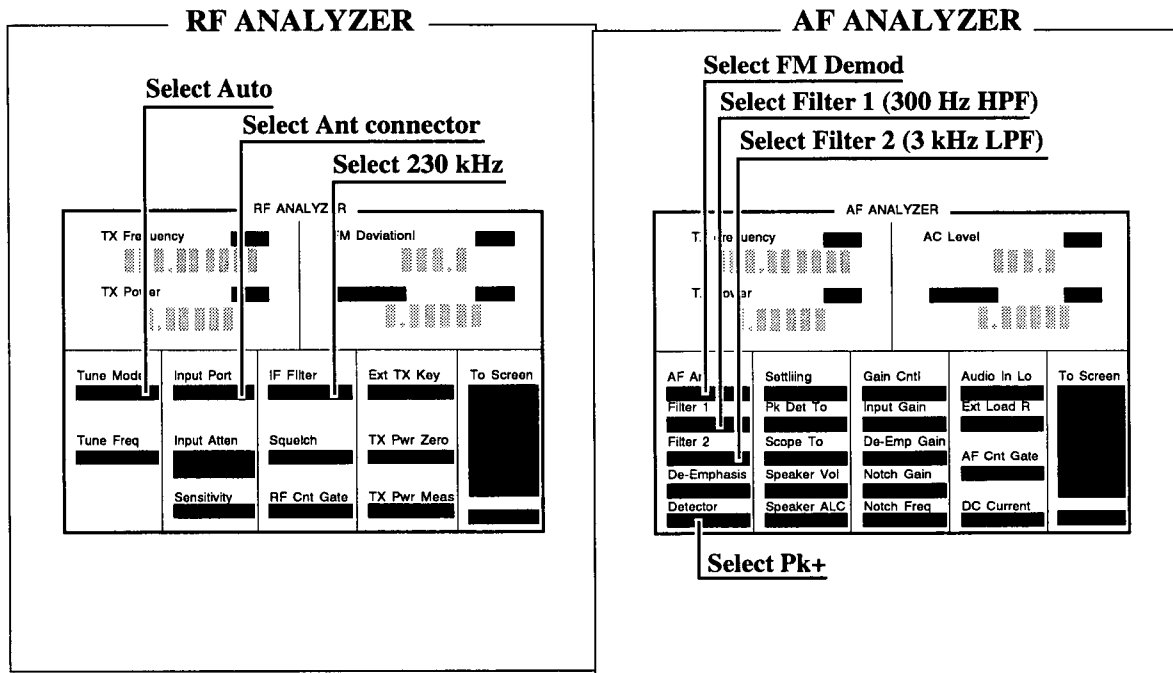
- Frequency: 1 kHz

**Make the following audio analyzer setting:**

- Distortion

**Procedure**

1. Select the RF ANALYZER screen and set the Tune Mode to Auto, the Input Port to Ant, and the IF Filter to 230 kHz.
2. Select the AF ANALYZER screen and set the AF Anl In field to FM Demod, Filter 1 to 300 Hz HPF, Filter 2 to 3 kHz LPF, and the Detector to Pk+.



3. Adjust the audio source of the audio analyzer's amplitude until the measuring receiver measures the deviation shown in the PTR.
4. Read the distortion on the audio analyzer and compare the reading to the limits shown in the PTR.



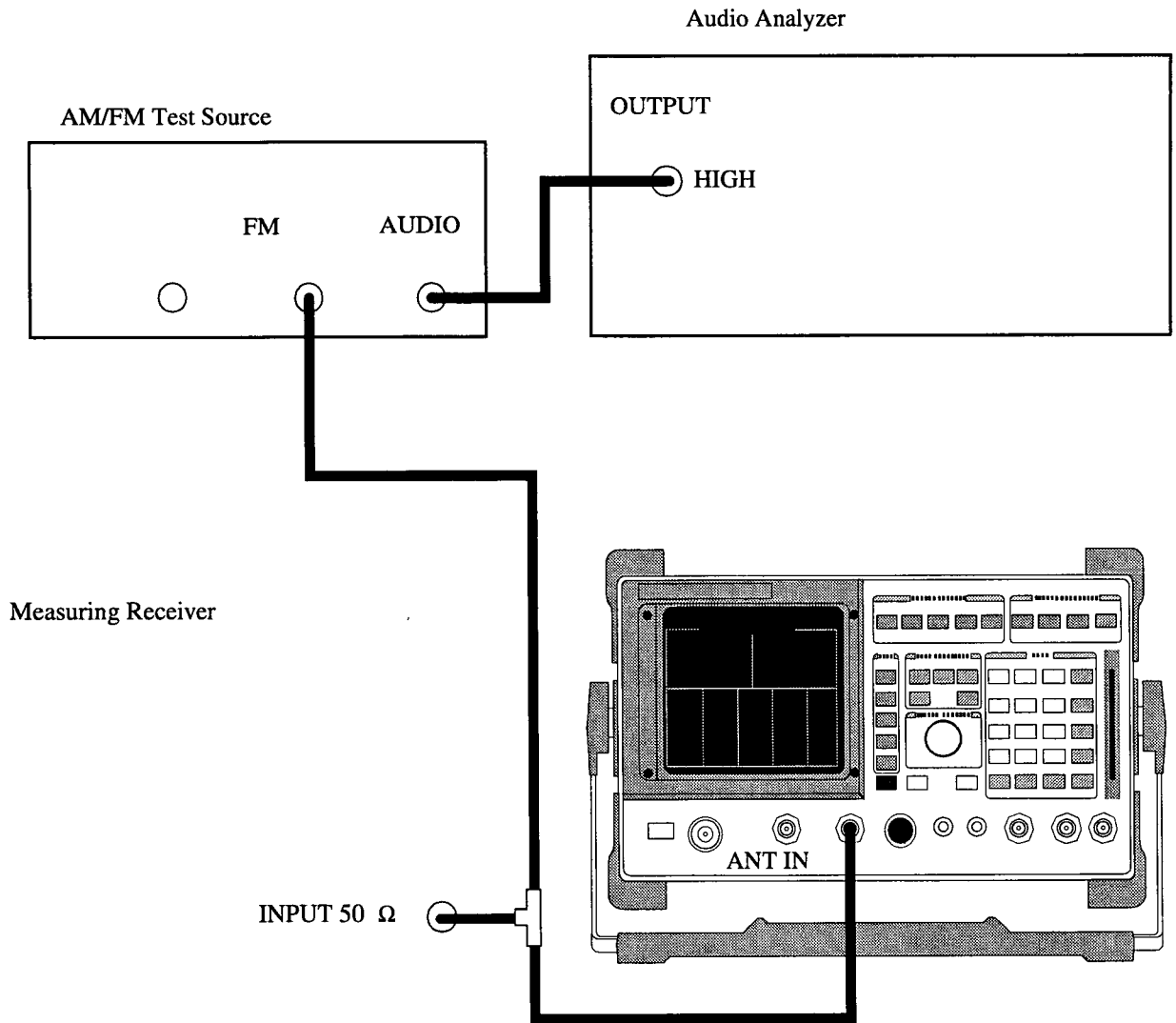
---

## **RF Analyzer FM Bandwidth Performance Test 30**

### **Description**

The AM/FM test source provides the RF signal with FM. The signal is measured both by the Test Set's internal RF analyzer and the measuring receiver. The FM signal comes from the external audio analyzer. The audio level is varied until the modulation is at the desired level as measured by the measuring receiver. The audio rate is varied in several steps from 20 Hz to 70 kHz. The difference between the maximum and minimum FM peak deviation is noted. The signal from the AM/FM test source has much lower FM distortion, lower noise, and wider bandwidth than the receiver in the Test Set's internal RF analyzer.

Setup



**Make the following AM/FM test source setting:**

- Test Mode: FM

**Make the following measuring receiver settings:**

- Reset the measuring receiver
- FM Mode
- Filters off

**Make the following audio analyzer settings:**

- Frequency: 1 kHz
- Impedance: 50  $\mu$
- Amplitude: 50 mV

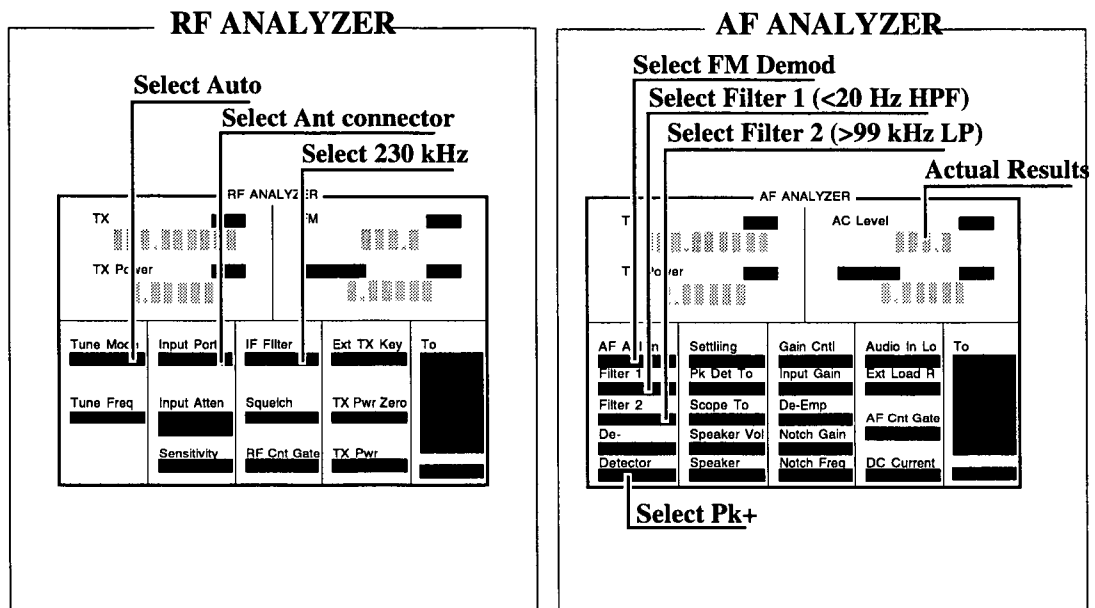
OR

- Frequency: 1 kHz
- Impedance: 600  $\mu$
- Amplitude: 300 mV

These settings should result in a deviation reading of about 25 kHz on the measuring receiver. Fine adjust the amplitude for 25 kHz deviation as read on the measuring receiver.

**Procedure**

1. Select the RF ANALYZER screen and set the Tune Mode to Auto, the Input Port to Ant, and the IF Filter to 230 kHz, squelch open.
2. Allow the Test Set to tune to the input signal and then set the Tune Mode to Manual.
3. Select the AF ANALYZER screen and set the AF Anl In field to FM Demod, Filter 1 to < 20 Hz HPF, Filter 2 to >99 kHz LPF, and the Detector to Pk+.



4. Set the audio analyzer to the following frequencies and record the FM deviation displayed on the measuring receiver for each frequency (check the deviation measured by the measuring receiver at each frequency and adjust the audio analyzer amplitude if needed to make sure it is 25 kHz): 20 Hz, 100 Hz, 1000 Hz, 10000 Hz, 35000 Hz, 70000 Hz.
5. The result of this test is the ratio of the maximum to the minimum measured deviation. Calculate the ratio in dB as follows:

$$\text{Result(dB)} = 20\log \frac{\text{max. deviation}}{\text{min. deviation}}$$

The test set limit is 0 to 3 db.

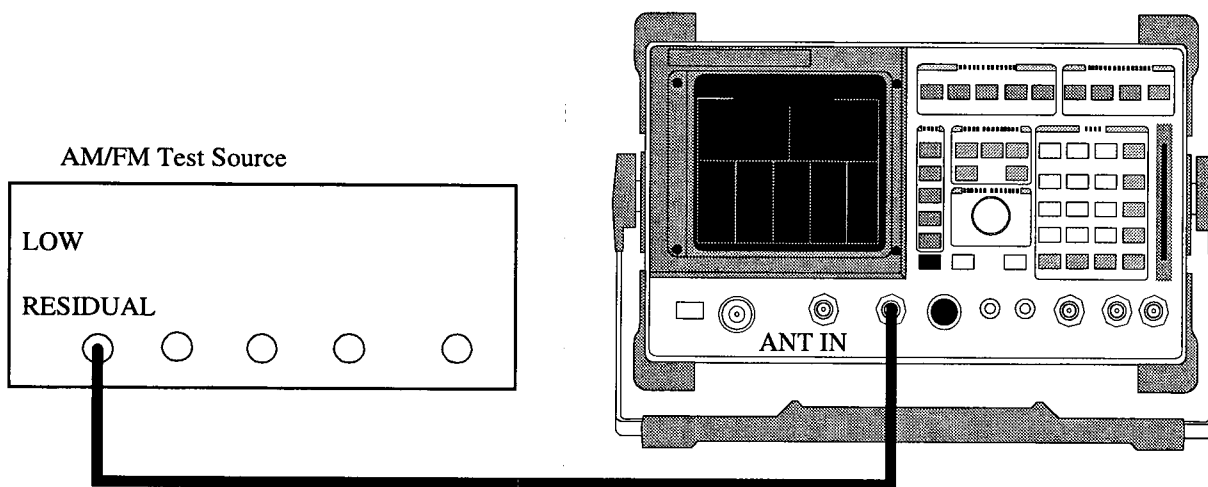
---

## RF Analyzer Residual FM Performance Test 31

### Description

The AM/FM test source provides a CW signal with minimal residual FM. The FM is measured by the Test Set's internal RF analyzer.

### Setup

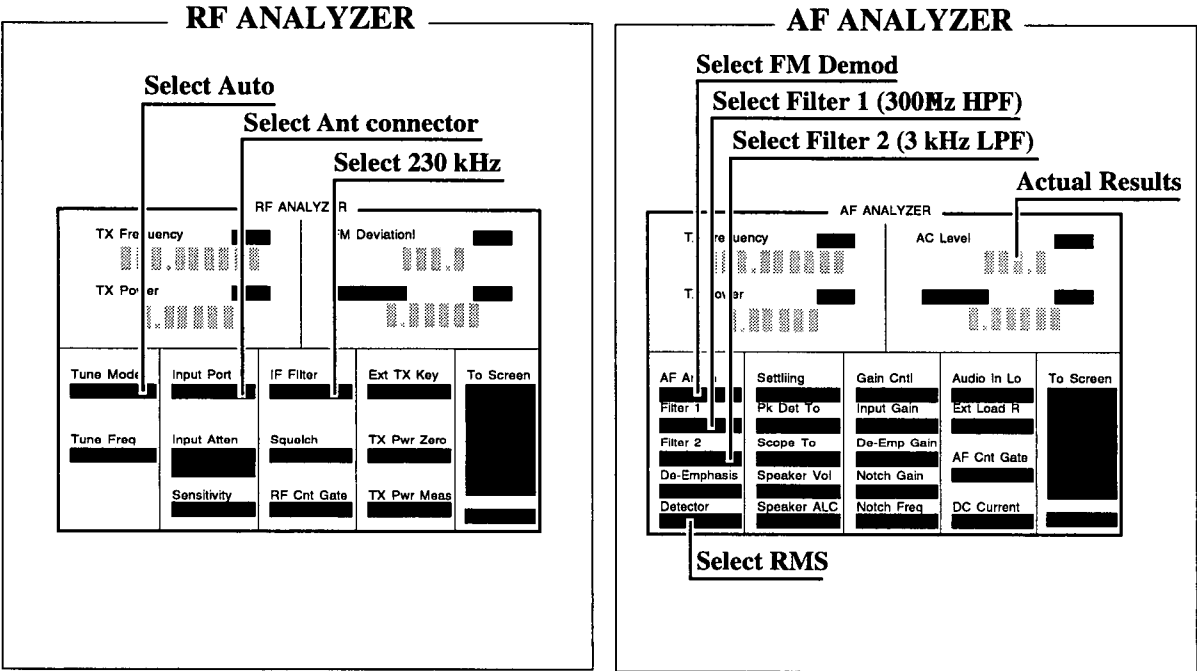


**Make the following AM/FM test source setting:**

- Test Mode: Residual FM

**Procedure**

1. Select the RF ANALYZER screen and set the Tune Mode to Auto, the Input Port to Ant, and the IF Filter to 230 kHz.
2. Select the AF ANALYZER screen and set the AF Anl In field to FM Demod, Filter 1 to 300 Hz HPF, Filter 2 to 3 kHz LPF, and the Detector to RMS.



3. Read the FM Deviation (residual FM) and compare to the limits shown in the PTR.

---

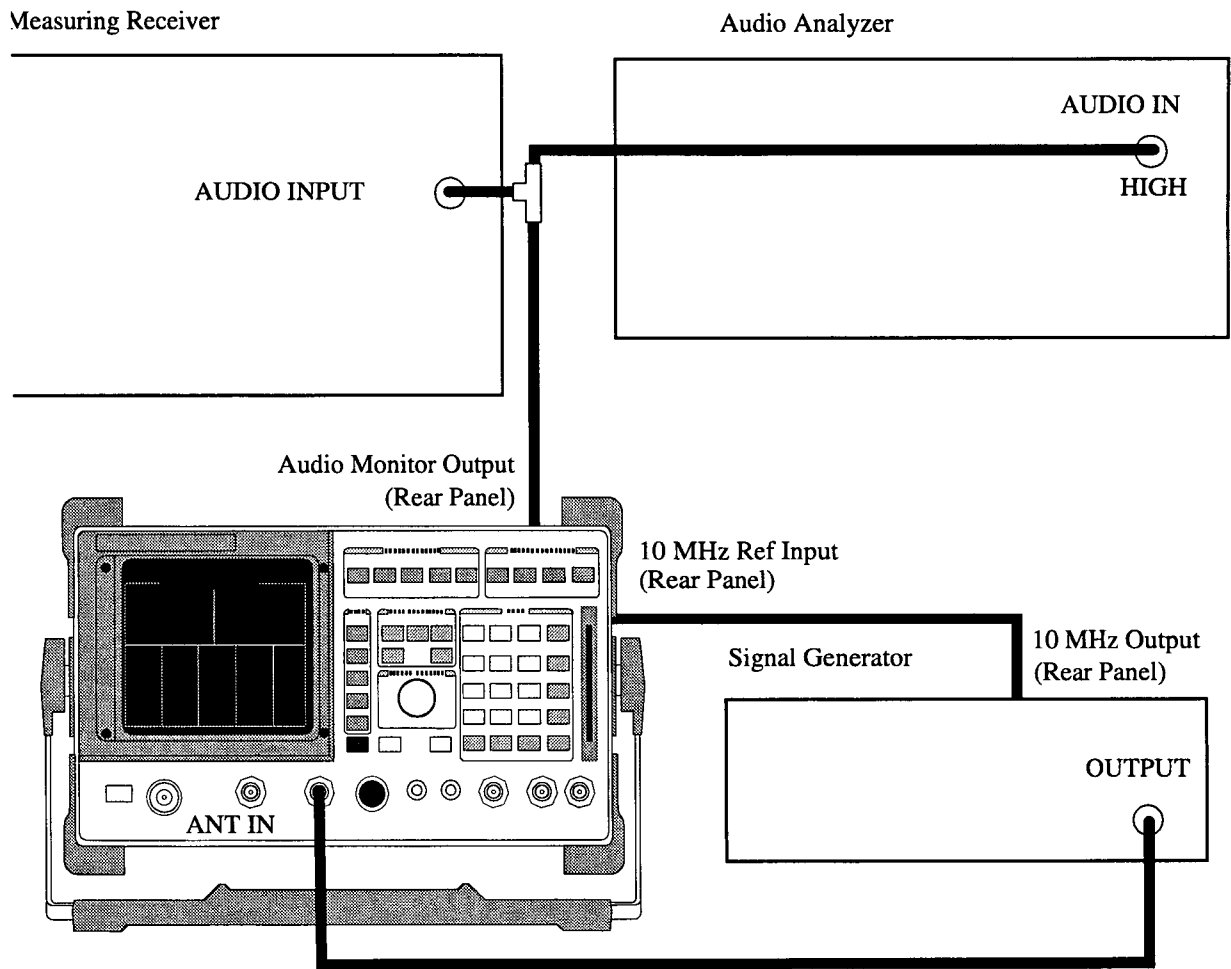
## **RF Analyzer SSB Demodulation Performance Test 32**

### **Description**

This test has two parts. The first part measures SSB demodulator distortion. An RF carrier is applied to the RF analyzer which is tuned 1 kHz away from the carrier frequency. Audio distortion of the demodulated 1 kHz signal is measured with a measuring receiver.

The second part measures SSB demodulator flatness. An RF carrier is applied to the RF analyzer and the RF analyzer is tuned to several frequencies so that the demodulated signal will span the RF analyzer's audio range. The flatness is measured on an audio analyzer.

## Setup



**Make the following measuring receiver settings:**

- Audio Distortion - 1 kHz
- Audio Input
- RMS

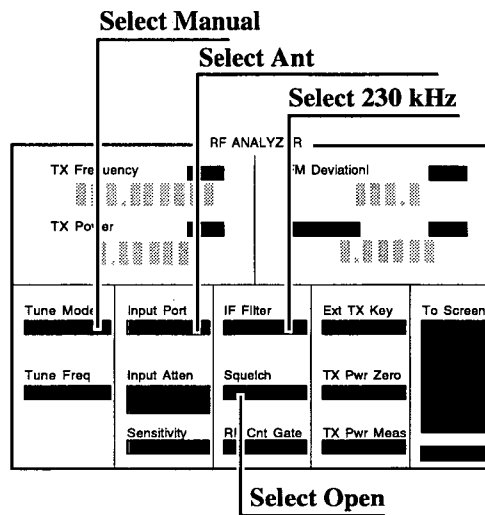
**Make the following audio analyzer settings:**

- Low-Pass filters: OFF
- AC Volts
- LOG

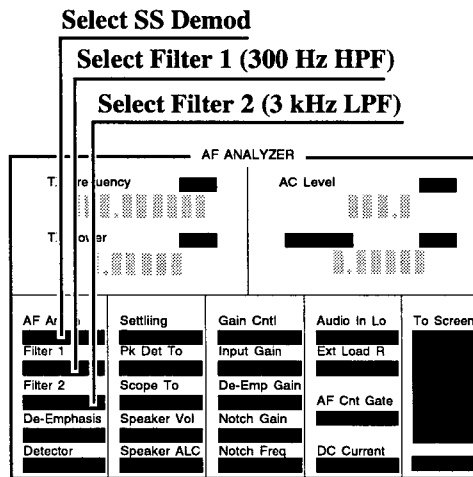


### Distortion procedure

1. Select the RF ANALYZER screen.
2. Set the Tune Mode field to Manual.
3. Set the Input Port field to Ant.
4. Set the IF Filter field to 230 kHz.
5. Set the Squelch field to Open.



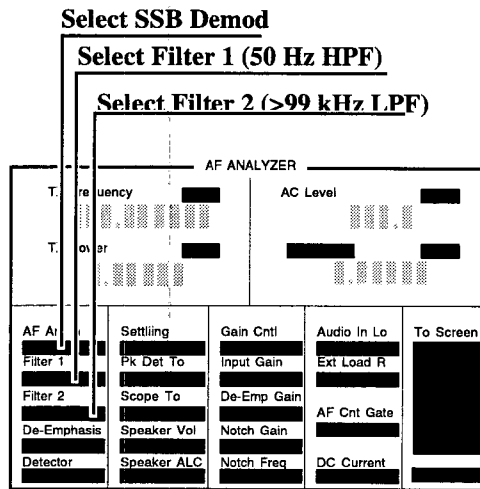
6. Select the AF ANALYZER screen.
7. Set the AF Anl In field to SSB Demod.
8. Set the Filter 1 field to 300 Hz HPF.
9. Set the Filter 2 field to 3 kHz LPF.



10. Set the Signal Generator's frequency and level, and the Test Set's RF analyzer's tune frequency according to the PTR. Read the audio distortion on the measuring receiver and compare it to the limits shown in the PTR.

**Flatness procedure**

1. Set the Signal Generator frequency to 501 MHz.
2. Set the Signal Generator amplitude to -19 dBm.
3. Select the Test Set's AF ANALYZER screen.
4. Set the AF Anl In field to SSB Demod.
5. Set the Filter 1 field to 50 Hz HPF.
6. Set the Filter 2 field to >99 kHz LPF.



7. Select the Test Set's RF ANALYZER screen.
8. Set the Tune Freq field to the RF Analyzer frequencies listed in the PTR and measure the demodulated signal voltage, in dBV, on the audio analyzer.
9. Calculate the flatness, in dB, by subtracting the highest measured voltage from the lowest measured voltage and compare it to the limits shown in the PTR.

---

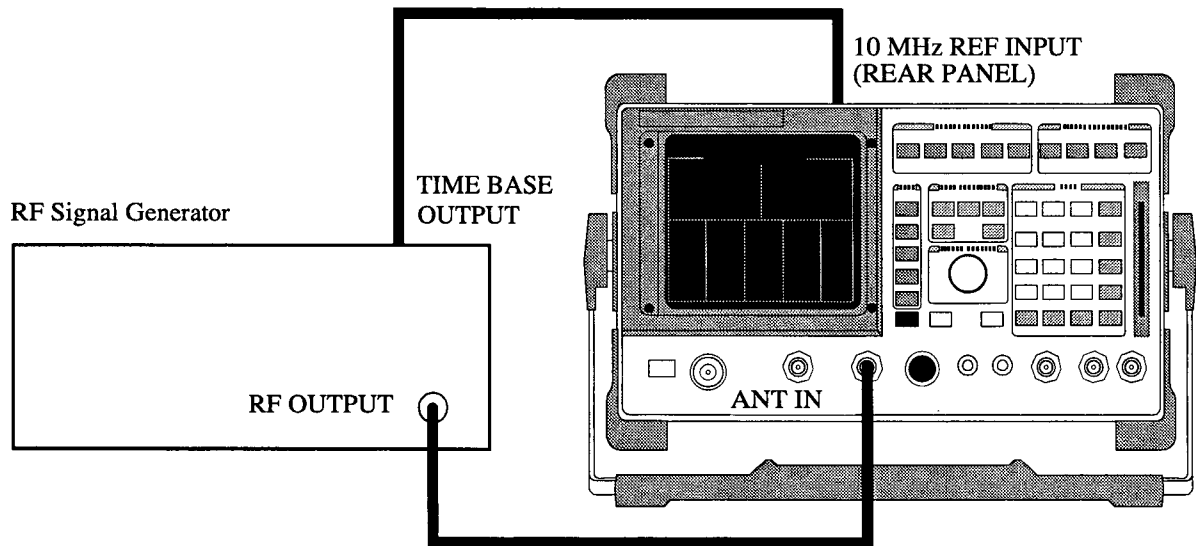
## Spectrum Analyzer Image Rejection Performance Test 33

### Description

This test has two parts. The first part measures the spectrum analyzer's ability to reject image frequencies. The spectrum analyzer is tuned to a signal frequency while an image signal is applied to the ANT IN connector from a signal generator.

The second part measures the spectrum analyzer's residual response at several frequencies.

### Setup

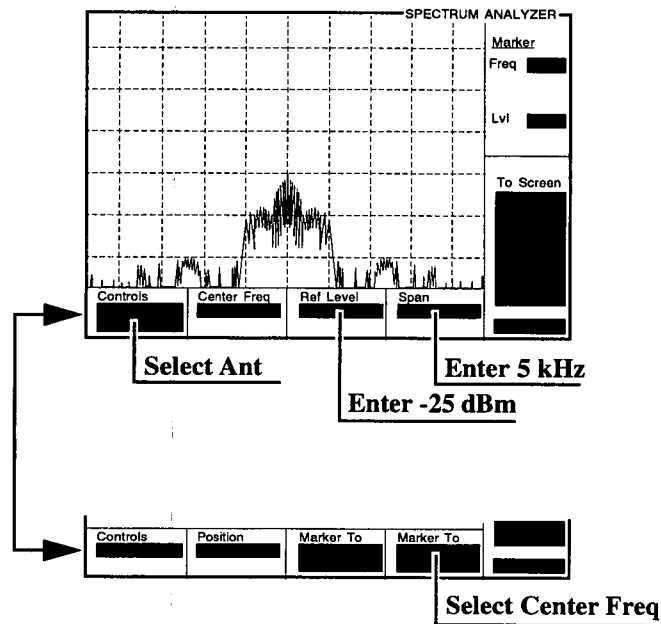


#### Make the following signal generator settings:

- Power:  $-20$  dBm
- Modulation: OFF

### Image rejection procedure

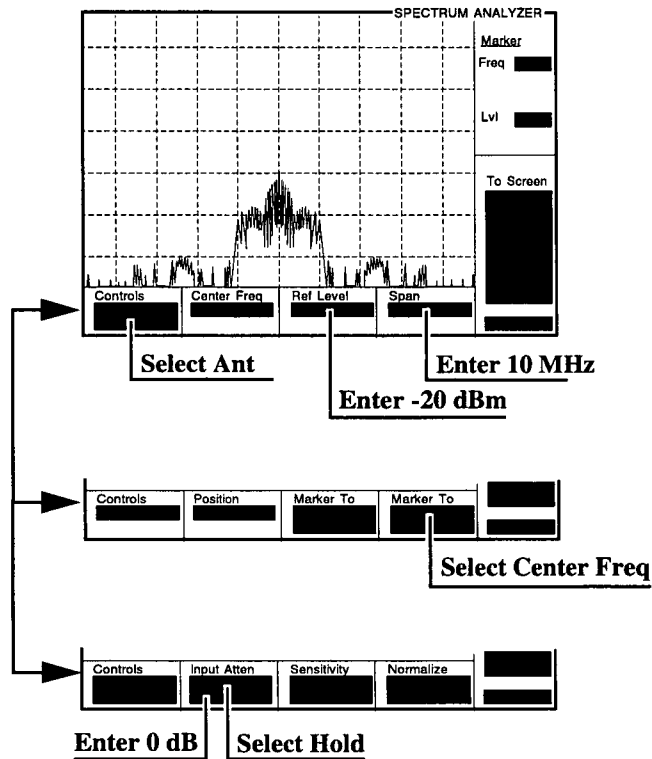
1. Select the SPECTRUM ANALYZER screen.
2. Set the RF In/Ant field to Ant.
3. Set the Ref Level field to -25 dBm.
4. Set the Span field to 5 kHz.
5. Set the Controls field to Marker and select Center Frequency.
6. Set the Controls field to Main.



7. Set the signal generator's frequency and the spectrum analyzer's center frequency to the frequencies shown in the PTR and measure the image response on the spectrum analyzer. The image response is the spectrum analyzer's marker level plus the signal generator's output level (20 dB).

### Residual response procedure

1. Disconnect the signal generator from the Test Set's ANT IN connector.
2. Set the Controls field to Auxiliary and the Input Atten field to Hold and 0 dB.
3. Set the Controls field to Marker and set the Marker To field to Center Freq.
4. Set the Controls field to Main.
5. Set the Span field to 10 MHz.
6. Set the Ref Level field to -20 dBm.



7. Set the Center Freq field to the frequencies shown in the PTR and measure the residual response on the spectrum analyzer's marker level field.







---

**Performance Tests**

---

## HP 8920A Performance Test Record

### HP 8920A RF Communications Test Set

Tested By \_\_\_\_\_ Serial Number \_\_\_\_\_ Date \_\_\_\_\_  
Temp \_\_\_\_\_ Humidity \_\_\_\_\_ Time \_\_\_\_\_

## RF Gen AM Distortion Performance Test 1

**Table 9** RF Gen AM Distortion Table

Level (dBm)	RF (MHz)	Depth (%)	Rate (kHz)	Measured AMDistortion Limits (%)		
				Lower	Upper	Actual
-9.1	1.5	30	1	0.00	2.00	
-9.1	1.5	70	1	0.00	3.00	
-9.1	19.99	30	1	0.00	2.00	
-9.1	19.99	70	1	0.00	3.00	
-9.1	50	30	1	0.00	2.00	
-9.1	50	70	1	0.00	3.00	
-9.1	100	30	1	0.00	2.00	
-9.1	100	70	1	0.00	3.00	
-9.1	150	30	1	0.00	2.00	
-9.1	150	70	1	0.00	3.00	
-9.1	250	30	1	0.00	2.00	
-9.1	250	70	1	0.00	3.00	
-9.1	900	30	1	0.00	2.00	
-9.1	900	70	1	0.00	3.00	
-9.1	1000	30	1	0.00	2.00	
-9.1	1000	70	1	0.00	3.00	
-14	1.5	30	1	0.00	2.00	
-14	1.5	70	1	0.00	3.00	
-14	19.99	30	1	0.00	2.00	
-14	19.99	70	1	0.00	3.00	
-14	50	30	1	0.00	2.00	

**Table 9** RF Gen AM Distortion Table (Continued)

Level (dBm)	RF (MHz)	Depth (%)	Rate (kHz)	Measured AM Distortion Limits (%)		
				Lower	Upper	Actual
-14	50	70	1	0.00	3.00	
-14	100	30	1	0.00	2.00	
-14	100	70	1	0.00	3.00	
-14	150	30	1	0.00	2.00	
-14	150	70	1	0.00	3.00	
-14	250	30	1	0.00	2.00	
-14	250	70	1	0.00	3.00	
-14	900	30	1	0.00	2.00	
-14	900	70	1	0.00	3.00	
-14	1000	30	1	0.00	2.00	
-14	1000	70	1	0.00	3.00	

## RF Gen AM Accuracy Performance Test 2

**Table 10** RF Gen AM Accuracy Table

Level (dBm)	RF (MHz)	Depth (%)	Rate (kHz)	Measured AM Limits (%)		
				Lower	Upper	Actual
-9.1	1.5	30	1	27.0	33.0	
-9.1	1.5	70	1	65.0	75.0	
-9.1	19.99	30	1	27.0	33.0	
-9.1	19.99	70	1	65.0	75.0	
-9.1	50	30	1	27.0	33.0	
-9.1	50	70	1	65.0	75.0	
-9.1	100	30	1	27.0	33.0	
-9.1	100	70	1	65.0	75.0	
-9.1	150	30	1	27.0	33.0	
-9.1	150	70	1	65.0	75.0	
-9.1	250	30	1	27.0	33.0	
-9.1	250	70	1	65.0	75.0	
-9.1	900	30	1	27.0	33.0	
-9.1	900	70	1	65.0	75.0	
-9.1	1000	30	1	27.0	33.0	
-9.1	1000	70	1	65.0	75.0	
-14	1.5	30	1	27.0	33.0	
-14	1.5	70	1	65.0	75.0	
-14	19.99	30	1	27.0	33.0	
-14	19.99	70	1	65.0	75.0	
-14	50	30	1	27.0	33.0	

**Table 10** RF Gen AM Accuracy Table (Continued)

Level (dBm)	RF (MHz)	Depth (%)	Rate (kHz)	Measured AM Limits (%)		
				Lower	Upper	Actual
-14	50	70	1	65.0	75.0	
-14	100	30	1	27.0	33.0	
-14	100	70	1	65.0	75.0	
-14	150	30	1	27.0	33.0	
-14	150	70	1	65.0	75.0	
-14	250	30	1	27.0	33.0	
-14	250	70	1	65.0	75.0	
-14	900	30	1	27.0	33.0	
-14	900	70	1	65.0	75.0	
-14	1000	30	1	27.0	33.0	
-14	1000	70	1	65.0	75.0	

---

## RF Gen AM Flatness Performance Test 3

**Table 11** RF Gen AM Flatness Table

Level (dBm)	RF (MHz)	Depth (%)	Rate (kHz)	Results (dB)
-9.1	500	50	1	0 dB
-9.1	500	50	10	
-9.1	500	50	20	
-9.1	500	50	25	
-14.1	500	50	1	0 dB
-14.1	500	50	10	
-14.1	500	50	20	
-14.1	500	50	25	

## RF Gen FM Distortion Performance Test 4

Table 12 RF Gen FM Distortion Table

Level (dBm)	RF (MHz)	Deviation (kHz)	Rate (kHz)	Measured FM Limits (%)			
				Lower (STD/050)	Upper (STD)	Upper (050)	Actual
-9.1	10	99	1	0.00	1.00	0.50	
-9.1	10	5	1	0.00	1.00	0.50	
-9.1	312.5	5	1	0.00	1.00	0.50	
-9.1	425	50	1	0.00	1.00	0.50	
-9.1	501	99	1	0.00	1.00	0.50	
-9.1	501	50	1	0.00	1.00	0.50	
-9.1	501	5	1	0.00	1.00	0.50	
-9.1	568.75	50	1	0.00	1.00	0.50	
-9.1	656.25	99	1	0.00	1.00	0.50	
-9.1	656.25	50	1	0.00	1.00	0.50	
-9.1	656.25	5	1	0.00	1.00	0.50	
-9.1	750	99	1	0.00	1.00	0.50	
-9.1	750	50	1	0.00	1.00	0.50	
-9.1	750	5	1	0.00	1.00	0.50	
-9.1	856.25	99	1	0.00	1.00	0.50	
-9.1	856.25	50	1	0.00	1.00	0.50	
-9.1	856.25	5	1	0.00	1.00	0.50	
-9.1	956.25	50	1	0.00	1.00	0.50	
-9.1	976.002	5	1	0.00	1.00	0.50	
-9.1	1000	99	1	0.00	1.00	0.50	



**Table 12 RF Gen FM Distortion Table (Continued)**

Level (dBm)	RF (MHz)	Deviation (kHz)	Rate (kHz)	Measured FM Limits (%)			
				Lower (STD/050)	Upper (STD)	Upper (050)	Actual
-9.1	1000	50	1	0.00	1.00	0.50	
-9.1	1000	11	1	0.00	1.00	0.50	
-9.1	1000	5	1	0.00	1.00	0.50	
-9.1	1000	6	1	0.00	1.00	0.50	
-9.1	1000	7	1	0.00	1.00	0.50	
-9.1	1000	8	1	0.00	1.00	0.50	
-9.1	1000	9	1	0.00	1.00	0.50	
-9.1	998.401	8	1	0.00	1.00	0.50	
-9.1	768.001	8	1	0.00	1.00	0.50	
-9.1	512.001	8	1	0.00	1.00	0.50	
-9.1	511.601	8	1	0.00	1.00	0.50	
-9.1	511.201	8	1	0.00	1.00	0.50	

## RF Gen FM Accuracy Performance Test 5

**Table 13** RF Gen FM Accuracy Table

Level (dBm)	RF (MHz)	Deviation (kHz)	Rate (kHz)	Measured FM Deviation Limits (kHz)				
				Lower (STD)	Upper (STD)	Lower (050)	Upper (050)	Actual
-9.1	10	99	1	91.075	106.925	95.035	102.965	
-9.1	10	3	1	2.725	3.275	2.845	3.155	
-9.1	312.5	3	1	2.725	3.275	2.845	3.155	
-9.1	425	50	1	45.750	54.250	47.750	52.250	
-9.1	501	99	1	91.075	106.925	95.035	102.965	
-9.1	501	50	1	45.750	54.250	47.750	52.250	
-9.1	501	3	1	2.725	3.275	2.845	3.155	
-9.1	568.75	50	1	45.750	54.250	47.750	52.250	
-9.1	656.25	99	1	91.075	106.925	95.035	102.965	
-9.1	656.25	50	1	45.750	54.250	47.750	52.250	
-9.1	656.25	3	1	2.725	3.275	2.845	3.155	
-9.1	750	99	1	91.075	106.925	95.035	102.965	
-9.1	750	50	1	45.750	54.250	47.750	52.250	
-9.1	750	3	1	2.725	3.275	2.845	3.155	
-9.1	856.25	99	1	91.075	106.925	95.035	102.965	
-9.1	856.25	50	1	45.750	54.250	47.750	52.250	
-9.1	856.25	3	1	2.725	3.275	2.845	3.155	
-9.1	956.25	50	1	45.750	54.250	47.750	52.250	
-9.1	976.002	3	1	2.725	3.275	2.845	3.155	

**Table 13** RF Gen FM Accuracy Table (Continued)

Level (dBm)	RF (MHz)	Deviation (kHz)	Rate (kHz)	Measured FM Deviation Limits (kHz)				
				Lower (STD)	Upper (STD)	Lower (050)	Upper (050)	Actual
-9.1	1000	99	1	91.075	106.925	95.035	102.965	
-9.1	1000	50	1	45.750	54.250	47.750	52.250	
-9.1	1000	11	1	9.675	12.325	10.115	11.885	
-9.1	1000	3	1	2.725	3.275	2.845	3.155	

## RF Gen FM Flatness Performance Test 6

**Table 14** RF Gen FM Flatness Table

Level (dBm)	RF (MHz)	Deviation (kHz)	Rate	Computed FM Flatness Limits (dB)		Measured Reading (kHz)	Computed Results (dB)
				Lower	Upper		
-9.1	521	50	1 kHz	-1.0	1.0		0 dB
-9.1	521	50	100 Hz	-1.0	1.0		
-9.1	521	50	200 Hz	-1.0	1.0		
-9.1	521	50	2 kHz	-1.0	1.0		
-9.1	521	50	10 kHz	-1.0	1.0		
-9.1	521	50	25 kHz	-1.0	1.0		
-9.1	975.5	50	1 kHz	-1.0	1.0		0 dB
-9.1	975.5	50	100 Hz	-1.0	1.0		
-9.1	975.5	50	200 Hz	-1.0	1.0		
-9.1	975.5	50	2 kHz	-1.0	1.0		
-9.1	975.5	50	10 kHz	-1.0	1.0		
-9.1	975.5	50	25 kHz	-1.0	1.0		

**RF Gen Residual FM  
 Performance Test 7**

**Table 15 RF Gen Residual FM Table**

LO (MHz) (Opt 050)	RF (MHz)	Measrued Residual FM Llimits (Hz)		
		Upper (STD)	Upper (050)	Actual
11.5	10	20	7	
101.5	100	20	7	
249.5	248	20	7	
251.5	250	10	4	
401.5	400	10	4	
501.5	500	10	4	
502.5	501	20	7	
512.701	511.201	20	7	
513.101	511.601	20	7	
513.501	512.001	20	7	
626.5	625	20	7	
736.5	735	20	7	
741.5	740	20	7	
746.5	745	20	7	
751.5	750	20	7	
769.501	768.001	20	7	
846.5	845	20	7	
851.5	850	20	7	
856.5	855	20	7	
866.5	865	20	7	

**Table 15**                      **RF Gen Residual FM Table (Continued)**

<b>LO (MHz) (Opt 050)</b>	<b>RF (MHz)</b>	<b>Measured Residual FM Limits (Hz)</b>		
		<b>Upper (STD)</b>	<b>Upper (050)</b>	<b>Actual</b>
901.5	900	20	7	
999.901	998.401	20	7	
1001.5	1000	20	7	

**RF Gen Duplex Output High Level Accuracy  
 Performance Test 8**

**Table 16 RF Gen High Level Accuracy at Duplex Output Table**

RF (MHz)	Level (dBm)	Measured Level Limits (dBm)		
		Lower	Upper	Actual
0.375	7	5.500	8.500	
0.375	1	-.500	2.500	
1	7	5.500	8.500	
1	1	-.500	2.500	
3	7	5.500	8.500	
3	1	-.500	2.500	
10	7	5.500	8.500	
10	1	-.500	2.500	
30	7	5.500	8.500	
30	1	-.500	2.500	
100	7	5.500	8.500	
100	1	-.500	2.500	
300	7	5.500	8.500	
300	1	-.500	2.500	
687.5	7	5.500	8.500	
687.5	1	-.500	2.500	
800	7	5.500	8.500	
800	1	-.500	2.500	
900	7	5.500	8.500	
900	1	-.500	2.500	

**Table 16 RF Gen High Level Accuracy at Duplex Output Table (Continued)**

RF (MHz)	Level (dBm)	Measured Level Limits (dBm)		
		Lower	Upper	Actual
1000	7	5.500	8.500	
1000	1	-.500	2.500	



**RF Gen Duplex Output Low Level Accuracy  
 Performance Test 9**

**Table 17 RF Gen Low Level Accuracy at Duplex Output Table**

RF (MHz)	Level (dBm)	Measured Level Limits (dBm)		
		Lower	Upper	Actual
3	1	-.500	2.500	
3	-4	-5.500	-2.500	
3	-9	-10.500	-7.500	
3	-14	-15.500	-12.500	
3	-19	-20.500	-17.500	
3	-24	-25.500	-22.500	
3	-29	-30.500	-27.500	
3	-34	-35.500	-32.500	
3	-39	-40.500	-37.500	
3	-44	-45.500	-42.500	
3	-49	-50.500	-47.500	
3	-54	-55.500	-52.500	
3	-59	-60.500	-57.500	
3	-64	-65.500	-62.500	
3	-69	-70.500	-67.500	
3	-74	-75.500	-72.500	
3	-79	-80.500	-77.500	
3	-84	-85.500	-82.500	
3	-89	-90.500	-87.500	
3	-94	-95.500	-92.500	

Table 17 RF Gen Low Level Accuracy at Duplex Output Table (Continued)

RF (MHz)	Level (dBm)	Measured Level Limits (dBm)		
		Lower	Upper	Actual
3	-99	-100.500	-97.500	
3	-104	-105.500	-102.500	
3	-109	-110.500	-107.500	
3	-114	-115.500	-112.500	
3	-119	-120.500	-117.500	
3	-124	-125.500	-122.500	
687.5	1	-.500	2.500	
687.5	-4	-5.500	-2.500	
687.5	-9	-10.500	-7.500	
687.5	-14	-15.500	-12.500	
687.5	-19	-20.500	-17.500	
687.5	-24	-25.500	-22.500	
687.5	-29	-30.500	-27.500	
687.5	-34	-35.500	-32.500	
687.5	-39	-40.500	-37.500	
687.5	-44	-45.500	-42.500	
687.5	-49	-50.500	-47.500	
687.5	-54	-55.500	-52.500	
687.5	-59	-60.500	-57.500	
687.5	-64	-65.500	-62.500	
687.5	-69	-75.500	-67.500	
687.5	-74	-75.500	-72.500	
687.5	-79	-80.500	-77.500	
687.5	-84	-85.500	-82.500	

**Table 17 RF Gen Low Level Accuracy at Duplex Output Table (Continued)**

RF (MHz)	Level (dBm)	Measured Level Limits (dBm)		
		Lower	Upper	Actual
687.5	-89	-90.500	-87.500	
687.5	-94	-95.500	-92.500	
687.5	-99	-100.500	-97.500	
687.5	-104	-105.500	-102.500	
687.5	-109	-110.500	-107.500	
687.5	-114	-115.500	-112.500	
687.5	-119	-120.500	-117.500	
687.5	-124	-125.500	-122.500	
1000	1	-.500	2.500	
1000	-4	-5.500	-2.500	
1000	-9	-10.500	-7.500	
1000	-14	-15.500	-12.500	
1000	-19	-20.500	-17.500	
1000	-24	-25.500	-22.500	
1000	-29	-30.500	-27.500	
1000	-34	-35.500	-32.500	
1000	-39	-40.500	-37.500	
1000	-44	-45.500	-42.500	
1000	-49	-50.500	-47.500	
1000	-54	-55.500	-52.500	
1000	-59	-60.500	-57.500	
1000	-64	-65.500	-62.500	
1000	-69	-70.500	-67.500	
1000	-74	-75.500	-72.500	

**Table 17 RF Gen Low Level Accuracy at Duplex Output Table (Continued)**

RF (MHz)	Level (dBm)	Measured Level Limits (dBm)		
		Lower	Upper	Actual
1000	-79	-80.500	-77.500	
1000	-84	-85.500	-82.500	
1000	-89	-90.500	-87.500	
1000	-94	-95.500	-92.500	
1000	-99	-100.500	-97.500	
1000	-104	-105.500	-102.500	
1000	-109	-110.500	-107.500	
1000	-114	-115.500	-112.500	
1000	-119	-120.500	-117.500	
1000	-124	-125.500	-122.500	

**Table 18 RF Gen Level Accuracy at Duplex Output Table  
 (Additional Frequencies For HP 83236A PCS Interface)**

Level (dBm)	Frequency (MHz)		
	824	859	894
-7			
-8			
-9			
-10			
-11			
-12			
-13			
-14			
-15			
-16			
-17			
-22			
-27			
-32			
-37			
-42			
-47			
-52			
-57			
-62			
-67			

**Table 19**

<b>One-half Maximum Minus Minimum (dB)</b>	
<b>Upper</b>	<b>Actual</b>
0.63	

**RF Gen RF IN/OUT Level Accuracy  
 Performance Test 10**

**Table 20 RF Gen Level Accuracy at RF INPUT/OUTPUT Table**

RF (MHz)	Level (dBm)	Measured Level Limits (dBm)		
		Lower	Upper	Actual
3	-19	-20.800	-17.200	
3	-24	-25.800	-22.200	
3	-29	-30.800	-27.200	
3	-34	-35.800	-32.200	
3	-39	-40.800	-37.200	
3	-44	-45.800	-42.200	
3	-49	-50.800	-47.200	
3	-54	-55.800	-52.200	
3	-59	-60.800	-57.200	
3	-64	-65.800	-62.200	
3	-69	-70.800	-67.200	
3	-74	-75.800	-72.200	
3	-79	-80.800	-77.200	
3	-84	-85.800	-82.200	
3	-89	-90.800	-87.200	
3	-94	-95.800	-92.200	
3	-99	-100.800	-97.200	
3	-104	-105.800	-102.200	
3	-109	-110.800	-107.200	
3	-114	-115.800	-112.200	

**Table 20 RF Gen Level Accuracy at RF INPUT/OUTPUT Table (Continued)**

RF (MHz)	Level (dBm)	Measured Level Limits (dBm)		
		Lower	Upper	Actual
3	-119	-120.800	-117.200	
3	-124	-125.800	-122.200	
687.5	-19	-20.800	-17.200	
687.5	-24	-25.800	-22.200	
687.5	-29	-30.800	-27.200	
687.5	-34	-35.800	-32.200	
687.5	-39	-40.800	-37.200	
687.5	-44	-45.800	-42.200	
687.5	-49	-50.800	-47.200	
687.5	-54	-55.800	-52.200	
687.5	-59	-60.800	-57.200	
687.5	-64	-65.800	-62.200	
687.5	-69	-70.800	-67.200	
687.5	-74	-75.800	-72.200	
687.5	-79	-80.800	-77.200	
687.5	-84	-85.800	-82.200	
687.5	-89	-90.800	-87.200	
687.5	-94	-95.800	-92.200	
687.5	-99	-100.800	-97.200	
687.5	-104	-105.800	-102.200	
687.5	-109	-110.800	-107.200	
687.5	-114	-115.800	-112.200	
687.5	-119	-120.800	-117.200	
687.5	-124	-125.800	-122.200	



**Table 20 RF Gen Level Accuracy at RF INPUT/OUTPUT Table (Continued)**

RF (MHz)	Level (dBm)	Measured Level Limits (dBm)		
		Lower	Upper	Actual
1000	-19	-20.800	-17.200	
1000	-24	-25.800	-22.200	
1000	-29	-30.800	-27.200	
1000	-34	-35.800	-32.200	
1000	-39	-40.800	-37.200	
1000	-44	-45.800	-42.200	
1000	-49	-50.800	-47.200	
1000	-54	-55.800	-52.200	
1000	-59	-60.800	-57.200	
1000	-64	-65.800	-62.200	
1000	-69	-70.800	-67.200	
1000	-74	-75.800	-72.200	
1000	-79	-80.800	-77.200	
1000	-84	-85.800	-82.200	
1000	-89	-90.800	-87.200	
1000	-94	-95.800	-92.200	
1000	-99	-100.800	-97.200	
1000	-104	-105.800	-102.200	
1000	-109	-110.800	-107.200	
1000	-114	-115.800	-112.200	
1000	-119	-120.800	-117.200	
1000	-124	-125.800	-122.200	

## RF Gen Harmonics Spectral Purity Performance Test 11

**Table 21** RF Gen Harmonics at +1 dBm Table

Level (dBm)	RF (MHz)	Harmonic Number	Harmonic Limits (dBc)	
			Upper	Actual
+1	1	2nd	-30.000	
+1	1	3rd	-30.000	
+1	2	2nd	-30.000	
+1	2	3rd	-30.000	
+1	5	2nd	-30.000	
+1	5	3rd	-30.000	
+1	10	2nd	-30.000	
+1	10	3rd	-30.000	
+1	20	2nd	-30.000	
+1	20	3rd	-30.000	
+1	50	2nd	-30.000	
+1	50	3rd	-30.000	
+1	100	2nd	-30.000	
+1	100	3rd	-30.000	
+1	200	2nd	-30.000	
+1	200	3rd	-30.000	
+1	300	2nd	-30.000	
+1	300	3rd	-30.000	
+1	400	2nd	-30.000	
+1	400	3rd	-30.000	

**Table 21 RF Gen Harmonics at +1 dBm Table (Continued)**

Level (dBm)	RF (MHz)	Harmonic Number	Harmonic Limits (dBc)	
			Upper	Actual
+1	500	2nd	-30.000	
+1	500	3rd	-30.000	
+1	600	2nd	-30.000	
+1	600	3rd	-30.000	
+1	700	2nd	-30.000	
+1	700	3rd	-30.000	
+1	800	2nd	-30.000	
+1	800	3rd	-30.000	
+1	900	2nd	-30.000	
+1	900	3rd	-30.000	
+1	1000	2nd	-30.000	
+1	1000	3rd	-30.000	

**Table 22 RF Gen Harmonics at -4 dBm Table**

Level (dBm)	RF Freq (MHz)	Harmonic Number	Harmonic Limits (dBc)	
			Upper	Actual
-4	1	2nd	-30.000	
-4	1	3rd	-30.000	
-4	2	2nd	-30.000	
-4	2	3rd	-30.000	
-4	5	2nd	-30.000	
-4	5	3rd	-30.000	
-4	10	2nd	-30.000	
-4	10	3rd	-30.000	

Table 22 RF Gen Harmonics at -4 dBm Table (Continued)

Level (dBm)	RF Freq (MHz)	Harmonic Number	Harmonic Limits (dBc)	
			Upper	Actual
-4	20	2nd	-30.000	
-4	20	3rd	-30.000	
-4	50	2nd	-30.000	
-4	50	3rd	-30.000	
-4	100	2nd	-30.000	
-4	100	3rd	-30.000	
-4	200	2nd	-30.000	
-4	200	3rd	-30.000	
-4	300	2nd	-30.000	
-4	300	3rd	-30.000	
-4	400	2nd	-30.000	
-4	400	3rd	-30.000	
-4	500	2nd	-30.000	
-4	500	3rd	-30.000	
-4	600	2nd	-30.000	
-4	600	3rd	-30.000	
-4	700	2nd	-30.000	
-4	700	3rd	-30.000	
-4	800	2nd	-30.000	
-4	800	3rd	-30.000	
-4	900	2nd	-30.000	
-4	900	3rd	-30.000	
-4	1000	2nd	-30.000	
-4	1000	3rd	-30.000	

**Table 23 RF Gen Half-Harmonics at +1 dBm Table**

Level (dBm)	RF (MHz)	Half Frequency (MHz)	Half-Harmonic Limits (dBc)	
			Upper	Actual
+1	501	250.5	-60.000	
+1	850	425	-60.000	
+1	1000	500	-60.000	

**Table 24 RF Gen Half-Harmonics at -4 dBm Table**

Level (dBm)	RF (MHz)	Half Frequency (MHz)	Half-Harmonic Limits (dBc)	
			Upper	Actual
-4	501	250.5	-60.000	
-4	850	425	-60.000	
-4	1000	500	-60.000	

## RF Gen Spurious Spectral Purity Performance Test 12

**Table 25** RF Gen Spurious Signal at +1 dBm Table

Spur Source	RF (MHz)	Spur Freq (MHz)	Spurious Signal at +1 dBm Limits (dBc)	
			Upper	Actual
3/2 Mixer	242	274	-60.000	
3/2 Mixer	247	259	-60.000	

**Table 26** RF Gen Spurious Signal at -4 dBm Table

Spur Source	RF (MHz)	Spur Freq (MHz)	Spurious Signal at -4 dBm Limits (dBc)	
			Upper	Actual
Supply	100	100.03	-60.000	
Supply	400	400.03	-60.000	
Supply	501	501.03	-60.000	
Supply	1000	999.97	-60.000	
Supply	100	.03	-60.000	
RF Feedthru	1	999	-60.000	
LO Feedthru	1	1000	-60.000	
RF Feedthru	11	989	-60.000	
RF Feedthru	21	979	-60.000	
RF Feedthru	41	959	-60.000	
RF Feedthru	61	939	-60.000	
RF Feedthru	81	919	-60.000	
RF Feedthru	91	909	-60.000	

**Table 26 RF Gen Spurious Signal at -4 dBm Table (Continued)**

Spur Source	RF (MHz)	Spur Freq (MHz)	Spurious Signal at -4 dBm Limits (dBc)	
			Upper	Actual
RF Feedthru	101	899	-60.000	
RF Feedthru	111	889	-60.000	
RF Feedthru	121	879	-60.000	
3/2 Mixer	242	274	-60.000	
3/2 Mixer	247	259	-60.000	
4/3 Mixer	242	32	-60.000	
4/3 Mixer	247	12	-60.000	
5/4 Mixer	211	55	-60.000	
5/4 Mixer	217	85	-60.000	
5/4 Mixer	221	105	-60.000	
5/4 Mixer	227	135	-60.000	
5/4 Mixer	231	155	-60.000	
5/4 Mixer	237	185	-60.000	
Ref 10 MHz	165	175	-60.000	
Ref 200 kHz	150	150.2	-60.000	
Ref 200 kHz	150	149.8	-60.000	
Ref 200 kHz	150	150.4	-60.000	
Ref 200 kHz	150	149.6	-60.000	
Ref 200 kHz	150	150.6	-60.000	
Reference	150	149.4	-60.000	

## AF Gen AC Level Accuracy Performance Test 13

Table 27 AF Gen AC Level Accuracy Table

AF Gen	Frequency (Hz)	Level (mV)	Measured AC Level Accuracy Limits (mV)		
			Lower	Upper	Actual
1	25000	4000	3885.000	4115.000	
1	25000	700	682.500	717.500	
1	25000	75	70.000	80.000	
1	10000	4000	3885.000	4115.000	
1	10000	700	682.500	717.500	
1	10000	75	70.000	80.000	
1	1000	4000	3885.000	4115.000	
1	1000	700	682.500	717.500	
1	1000	75	70.000	80.000	
1	100	4000	3885.000	4115.000	
1	100	700	682.500	717.500	
1	100	75	70.000	80.000	
2	25000	4000	3885.000	4115.000	
2	25000	700	682.500	717.500	
2	25000	75	70.000	80.000	
2	10000	4000	3885.000	4115.000	
2	10000	700	682.500	717.500	
2	10000	75	70.000	80.000	
2	1000	4000	3885.000	4115.000	
2	1000	700	682.500	717.500	



**Table 27 AF Gen AC Level Accuracy Table (Continued)**

AF Gen	Frequency (Hz)	Level (mV)	Measured AC Level Accuracy Limits (mV)		
			Lower	Upper	Actual
2	1000	75	70.000	80.000	
2	100	4000	3885.000	4115.000	
2	100	700	682.500	717.500	
2	100	75	70.000	80.000	

## AF Gen DC Level Accuracy Performance Test 14

**Table 28 AF Gen DC Level Accuracy Table**

AFGen	Level (mV)	Measured DC Level Accuracy Limits (mV)		
		Lower	Upper	Actual
1	4000	3820.000	4180.000	
1	1000	925.000	1075.000	
2	4000	3820.000	4180.000	
2	1000	925.000	1075.000	

**AF Gen Residual Distortion  
 Performance Test 15**

**Table 29 AF Gen Residual Distortion Table**

AFGen	Frequency (Hz)	Level (mV)	Measured Residual Distortion (%)		
			Lower	Upper	Actual
1	25000	4000	0.000	.125	
1	25000	2000	0.000	.125	
1	25000	200	0.000	.125	
1	10000	4000	0.000	.125	
1	10000	2000	0.000	.125	
1	10000	200	0.000	.125	
1	1000	4000	0.000	.125	
1	1000	2000	0.000	.125	
1	1000	200	0.000	.125	
1	100	4000	0.000	.125	
1	100	2000	0.000	.125	
1	100	200	0.000	.125	
2	25000	4000	0.000	.125	
2	25000	2000	0.000	.125	
2	25000	200	0.000	.125	
2	10000	4000	0.000	.125	
2	10000	2000	0.000	.125	
2	10000	200	0.000	.125	
2	1000	4000	0.000	.125	
2	1000	2000	0.000	.125	

**Table 29** AF Gen Residual Distortion Table (Continued)

AFGen	Frequency (Hz)	Level (mV)	Measured Residual Distortion (%)		
			Lower	Upper	Actual
2	1000	200	0.000	.125	
2	100	4000	0.000	.125	
2	100	2000	0.000	.125	
2	100	200	0.000	.125	

**AF Gen Frequency Accuracy  
 Performance Test 16**

**Table 30 AF Gen Frequency Accuracy Table**

AFGen	Frequency (Hz)	Measured Frequency (Hz)		
		Lower	Upper	Actual
1	25000	24993.750	25006.250	
1	10000	9997.500	10002.500	
1	5000	4998.750	5001.250	
1	2000	1999.500	2000.500	
1	1000	999.750	1000.250	
1	500	499.875	500.125	
1	200	199.950	200.050	
1	100	99.975	100.025	
1	50	49.988	50.012	
1	20	19.995	20.005	
2	25000	24993.750	25006.250	
2	10000	9997.500	10002.500	
2	5000	4998.750	5001.250	
2	2000	1999.500	2000.500	
2	1000	999.750	1000.250	
2	500	499.875	500.125	
2	200	199.950	200.050	
2	100	99.975	100.025	
2	50	49.988	50.012	
2	20	19.995	20.005	

---

## AF Analyzer AC Voltage Accuracy Performance Test 17

**Table 31** AF Analyzer AC Voltage Accuracy Table

Frequency (Hz)	Level (mV)	AC Voltage Accuracy Limits (mV)		
		Lower	Upper	Actual
15000	5000	4849.850	5150.150	
2000	5000	4849.850	5150.150	
200	5000	4849.850	5150.150	
20	5000	4849.850	5150.150	
15000	500	484.850	515.150	
2000	500	484.850	515.150	
200	500	484.850	515.150	
20	500	484.850	515.150	
15000	50	48.350	51.650	
2000	50	48.350	51.650	
200	50	48.350	51.650	
20	50	48.350	51.650	

---

## AF Analyzer Residual Noise Performance Test 18

**Table 32**                      **AF Analyzer Residual Noise Table**

<b>Residual Noise (<math>\mu\text{V}</math>)</b>	
<b>Upper</b>	<b>Actual</b>
150	

## AF Analyzer Distortion, SINAD and SNR Accuracy Performance Test 19

**Table 33 AF Analyzer Distortion and SINAD Accuracy**

Harmonic Frequency (kHz)	Harmonic Level(V)	Measurement Type	Distortion (%) and SINAD (dB) Accuracy Limits		
			Lower	Upper	Actual
2	.1	Distortion	8.856	11.144	
2	.1	SINAD	19.043	21.043	
3	.1	Distortion	8.856	11.144	
3	.1	SINAD	19.043	21.043	
2	.01	Distortion	.890	1.120	
2	.01	SINAD	39.000	41.000	
3	.01	Distortion	.890	1.120	
3	.01	SINAD	39.000	41.000	
2	.005	Distortion	.445	.560	
2	.005	SINAD	45.021	47.021	
3	.005	Distortion	.445	.560	
3	.005	SINAD	45.021	47.021	



**Table 34** SNR (Signal to Noise Ratio)

Harmonic Frequency (kHz)	Harmonic Level(V)	Measurement Type	SNR dB Accuracy Limits		
			Lower	Upper	Actual
2	.1	SNR	19.000	21.000	
2	.01	SNR	39.000	41.000	

---

## AF Analyzer DC Level Accuracy Performance Test 20

**Table 35** AF Analyzer DC Voltage Accuracy

Level (mV)	DC Voltage Limits (mV)		
	Lower	Upper	Actual
5000	4905.000	5095.000	
500	450.000	550.000	

---

**AF Analyzer Frequency Accuracy to 100 kHz  
Performance Test 21**

**Table 36 AF Analyzer Frequency Accuracy to 100 kHz**

Frequency (Hz)	HP 8902A Counter Limits (Hz)		
	Lower	Upper	Actual
20	19.986	20.014	
100	99.970	100.030	
1000	999.790	1000.210	
10000	9997.90	1002.10	
100000	99979	100021	

---

**AF Analyzer Frequency Accuracy at 400 kHz  
Performance Test 22**

**Table 37 AF Analyzer Freq Acc at 400 kHz Table**

<b>Frequency Accuracy at 400 kHz (kHz)</b>		
<b>Lower</b>	<b>Upper</b>	<b>Actual</b>
399.920	400.080	

---

## Oscilloscope Performance Test 23

**Table 38**                      **Oscilloscope Amplitude Accuracy Table**

Frequency (kHz)	Level (V)	Amplitude Limits (V)		
		Lower	Upper	Actual
1	5	6.765	7.377	
10	5	6.765	7.377	
50	5	5.000	10.000	

---

## RF Analyzer Level Accuracy Performance Test 24

**Table 39**                      **RF Analyzer Level Accuracy Table**

Power	Level Accuracy Limits (mW)		
	Lower	Upper	Actual
500 mW	449	551	
200 mW	179	221	

## RF Analyzer AM Accuracy Performance Test 25

**Table 40** RF Analyzer AM Accuracy Table

Det	Depth (%)	Rate (Hz)	AM Accuracy Limits (%)		
			Lower	Upper	Actual
Pk+	10	50	8.000	12.000	
Pk-	10	50	8.000	12.000	
Pk+	10	1000	8.000	12.000	
Pk-	10	1000	8.000	12.000	
Pk+	10	10000	8.000	12.000	
Pk-	10	10000	8.000	12.000	
Pk+	30	50	27.000	33.000	
Pk-	30	50	27.000	33.000	
Pk+	30	1000	27.000	33.000	
Pk-	30	1000	27.000	33.000	
Pk+	30	10000	27.000	33.000	
Pk-	30	10000	27.000	33.000	
Pk+	50	50	46.000	54.000	
Pk-	50	50	46.000	54.000	
Pk+	50	1000	46.000	54.000	
Pk-	50	1000	46.000	54.000	
Pk+	50	10000	46.000	54.000	
Pk-	50	10000	46.000	54.000	
Pk+	70	50	65.000	75.000	
Pk-	70	50	65.000	75.000	

**Table 40** RF Analyzer AM Accuracy Table (Continued)

Det	Depth (%)	Rate (Hz)	AM Accuracy Limits (%)		
			Lower	Upper	Actual
Pk+	70	1000	65.000	75.000	
Pk-	70	1000	65.000	75.000	
Pk+	70	10000	65.000	75.000	
Pk-	70	10000	65.000	75.000	
Pk+	80	50	74.500	85.500	
Pk-	80	50	74.500	85.500	
Pk+	80	1000	74.500	85.500	
Pk-	80	1000	74.500	85.500	
Pk+	80	10000	74.500	85.500	
Pk-	80	10000	74.500	85.500	



---

**RF Analyzer AM Distortion  
Performance Test 26**

**Table 41 RF Analyzer AM Distortion Table**

<b>AM Distortion</b>	<b>AM Distortion Limits (%)</b>	
	<b>Upper</b>	<b>Actual</b>
Depth 10%	2.000	
Depth 30%	2.000	
Depth 50%	2.000	
Depth 70%	2.000	
Depth 80%	2.000	

---

## RF Analyzer Residual AM Performance Test 27

**Table 42**                      **RF Analyzer Residual AM Table**

<b>Residual AM (%)</b>	
<b>Upper</b>	<b>Actual</b>
0.2	

**RF Analyzer FM Accuracy  
 Performance Test 28**

**Table 43 RF Analyzer FM Accuracy Table**

RF (MHz)	Deviation (kHz)	Rate (Hz)	FM Accuracy Limits (kHz)		
			Lower	Upper	Actual
12.5	1	50	.960	1.040	
12.5	1	1000	.960	1.040	
12.5	1	25000	.960	1.040	
12.5	10	50	9.600	10.400	
12.5	10	1000	9.600	10.400	
12.5	10	25000	9.600	10.400	
400	10	50	9.600	10.400	
400	10	1000	9.600	10.400	
400	10	25000	9.600	10.400	
400	17	50	16.320	17.680	
400	17	1000	16.320	17.680	
400	17	25000	16.320	17.680	

---

## RF Analyzer FM Distortion Performance Test 29

**Table 44**                      **RF Analyzer FM Distortion Table**

Deviation (kHz)	FM Distortion Limits (%)	
	Upper	Actual
5	1.000	
25	1.000	
75	1.000	

---

## RF Analyzer FM Bandwidth Performance Test 30

**Table 45**                      **RF Analyzer FM Bandwidth Table**

<b>FM Bandwidth (dB)</b>	
<b>Upper</b>	<b>Actual</b>
3.0	

---

## RF Analyzer Residual FM Performance Test 31

**Table 46**                      **RF Analyzer Residual FM Table**

<b>Residual FM (Hz)</b>	
<b>Upper</b>	<b>Actual</b>
20 (STD)	
10 (050)	

**RF Analyzer SSB Demodulation  
 Performance Test 32**

**Table 47 SSB Distortion Table**

RF Generator Frequency ( MHz)	RF Generator Amplitude (dBm)	RF Analyzer Frequency (MHz)	Measured Distortion (%)	
			Upper Limit	Actual
122	-19	122.001	3	
122	-33	122.001	3	
620	-19	620.001	3	
620	-33	620.001	3	
900	-19	900.001	3	
900	-33	900.001	3	

**Table 48 SSB Flatness Table**

RF Analyzer Frequency (MHz)	Audio Analyzer Reading (dBv)
501.001	
501.010	
501.050	
501.070	
Upper Limit (dB)	Highest Lowest Reading (dB)
3	

## Spectrum Analyzer Image Rejection Performance Test 33

**Table 49** Image Rejection Table

Signal Generator Frequency (MHz) (image)	UUT Spectrum Analyzer Center Frequency (MHz) (signal)	Measure Image Response (dB)	
		Upper Limit	Actual
613.6	385.0	-50	
873.6	645.0	-50	
883.6	655.0	-50	
1023.6	795.0	-50	
1000.0	771.4	-50	
576.4	805.0	-50	
771.4	1000.0	-50	
319.02	300.0	-50	

**Table 50** Residual Response Analyzer

UUT Spectrum Analyzer Center Frequency (MHz)	Measured Residual Response (dBm)	
	Upper Limit	Actual
5.534	-70	
10.0	-70	
20.0	-70	
21.4	-70	
107.126	-70	
164.28	-70	



**Table 50 Residual Response Analyzer (Continued)**

UU (Continued)T Spectrum Analyzer Center Frequency (MHz)	Measured Residual Response (dBm)	
	Upper Limit	Actual
257.139	-70	
271.4	-70	
347.607	-70	
500.0	-70	

---

## HP 8920B Performance Test Record

### HP 8920B RF Communications Test Set

Tested By \_\_\_\_\_ Serial Number \_\_\_\_\_ Date \_\_\_\_\_  
Temp \_\_\_\_\_ Humidity \_\_\_\_\_ Time \_\_\_\_\_

## RF Gen AM Distortion Performance Test 1

Table 51 RF Gen AM Distortion Table

Level (dBm)	RF (MHz)	Depth (%)	Rate (kHz)	Measured AM Distortion Limits (%)		
				Lower	Upper	Actual
-9.1	1.5	30	1	0.00	2.00	
-9.1	1.5	70	1	0.00	3.00	
-9.1	19.99	30	1	0.00	2.00	
-9.1	19.99	70	1	0.00	3.00	
-9.1	50	30	1	0.00	2.00	
-9.1	50	70	1	0.00	3.00	
-9.1	100	30	1	0.00	2.00	
-9.1	100	70	1	0.00	3.00	
-9.1	150	30	1	0.00	2.00	
-9.1	150	70	1	0.00	3.00	
-9.1	250	30	1	0.00	2.00	
-9.1	250	70	1	0.00	3.00	
-9.1	900	30	1	0.00	2.00	
-9.1	900	70	1	0.00	3.00	
-9.1	1000	30	1	0.00	2.00	
-9.1	1000	70	1	0.00	3.00	
-14	1.5	30	1	0.00	2.00	
-14	1.5	70	1	0.00	3.00	
-14	19.99	30	1	0.00	2.00	
-14	19.99	70	1	0.00	3.00	

Table 51 RF Gen AM Distortion Table (Continued)

Level (dBm)	RF (MHz)	Depth (%)	Rate (kHz)	Measured AM Distortion Limits (%)		
				Lower	Upper	Actual
-14	50	30	1	0.00	2.00	
-14	50	70	1	0.00	3.00	
-14	100	30	1	0.00	2.00	
-14	100	70	1	0.00	3.00	
-14	150	30	1	0.00	2.00	
-14	150	70	1	0.00	3.00	
-14	250	30	1	0.00	2.00	
-14	250	70	1	0.00	3.00	
-14	900	30	1	0.00	2.00	
-14	900	70	1	0.00	3.00	
-14	1000	30	1	0.00	2.00	
-14	1000	70	1	0.00	3.00	

**RF Gen AM Accuracy  
 Performance Test 2**

**Table 52 RF Gen AM Accuracy Table**

Level (dBm)	RF (MHz)	Depth (%)	Rate (kHz)	Measured AM Limits (%)		
				Lower	Upper	Actual
-9.1	1.5	30	1	27.0	33.0	
-9.1	1.5	70	1	65.0	75.0	
-9.1	19.99	30	1	27.0	33.0	
-9.1	19.99	70	1	65.0	75.0	
-9.1	50	30	1	27.0	33.0	
-9.1	50	70	1	65.0	75.0	
-9.1	100	30	1	27.0	33.0	
-9.1	100	70	1	65.0	75.0	
-9.1	150	30	1	27.0	33.0	
-9.1	150	70	1	65.0	75.0	
-9.1	250	30	1	27.0	33.0	
-9.1	250	70	1	65.0	75.0	
-9.1	900	30	1	27.0	33.0	
-9.1	900	70	1	65.0	75.0	
-9.1	1000	30	1	27.0	33.0	
-9.1	1000	70	1	65.0	75.0	
-14	1.5	30	1	27.0	33.0	
-14	1.5	70	1	65.0	75.0	
-14	19.99	30	1	27.0	33.0	
-14	19.99	70	1	65.0	75.0	

Table 52 RF Gen AM Accuracy Table (Continued)

Level (dBm)	RF (MHz)	Depth (%)	Rate (kHz)	Measured AM Limits (%)		
				Lower	Upper	Actual
-14	50	30	1	27.0	33.0	
-14	50	70	1	65.0	75.0	
-14	100	30	1	27.0	33.0	
-14	100	70	1	65.0	75.0	
-14	150	30	1	27.0	33.0	
-14	150	70	1	65.0	75.0	
-14	250	30	1	27.0	33.0	
-14	250	70	1	65.0	75.0	
-14	900	30	1	27.0	33.0	
-14	900	70	1	65.0	75.0	
-14	1000	30	1	27.0	33.0	
-14	1000	70	1	65.0	75.0	

---

## RF Gen AM Flatness Performance Test 3

**Table 53** RF Gen AM Flatness Table

Level (dBm)	RF (MHz)	Depth (%)	Rate (kHz)	Results (dB)
-9.1	500	50	1	0 dB
-9.1	500	50	10	
-9.1	500	50	20	
-9.1	500	50	25	
-14.1	500	50	1	0 dB
-14.1	500	50	10	
-14.1	500	50	20	
-14.1	500	50	25	

## RF Gen FM Distortion Performance Test 4

**Table 54** RF Gen FM Distortion Table

Level (dBm)	RF (MHz)	Deviation (kHz)	Rate (kHz)	Measured FM Limits (%)		
				Lower	Upper	Actual
-9.1	10	99	1	0.00	0.50	
-9.1	10	5	1	0.00	0.50	
-9.1	312.5	5	1	0.00	0.50	
-9.1	425	50	1	0.00	0.50	
-9.1	501	99	1	0.00	0.50	
-9.1	501	50	1	0.00	0.50	
-9.1	501	5	1	0.00	0.50	
-9.1	568.75	50	1	0.00	0.50	
-9.1	656.25	99	1	0.00	0.50	
-9.1	656.25	50	1	0.00	0.50	
-9.1	656.25	5	1	0.00	0.50	
-9.1	750	99	1	0.00	0.50	
-9.1	750	50	1	0.00	0.50	
-9.1	750	5	1	0.00	0.50	
-9.1	856.25	99	1	0.00	0.50	
-9.1	856.25	50	1	0.00	0.50	
-9.1	856.25	5	1	0.00	0.50	
-9.1	956.25	50	1	0.00	0.50	
-9.1	976.002	5	1	0.00	0.50	
-9.1	1000	99	1	0.00	0.50	



**Table 54 RF Gen FM Distortion Table (Continued)**

Level (dBm)	RF (MHz)	Deviation (kHz)	Rate (kHz)	Measured FM Limits (%)		
				Lower	Upper	Actual
-9.1	1000	50	1	0.00	0.50	
-9.1	1000	11	1	0.00	0.50	
-9.1	1000	5	1	0.00	0.50	
-9.1	1000	6	1	0.00	0.50	
-9.1	1000	7	1	0.00	0.50	
-9.1	1000	8	1	0.00	0.50	
-9.1	1000	9	1	0.00	0.50	
-9.1	998.401	8	1	0.00	0.50	
-9.1	768.001	8	1	0.00	0.50	
-9.1	512.001	8	1	0.00	0.50	
-9.1	511.601	8	1	0.00	0.50	
-9.1	511.201	8	1	0.00	0.50	

## RF Gen FM Accuracy Performance Test 5

**Table 55** RF Gen FM Accuracy Table

Level (dBm)	RF (MHz)	Deviation (kHz)	Rate (kHz)	Measured FM Deviation Limits (kHz)		
				Lower	Upper	Actual
-9.1	10	99	1	95.035	102.965	
-9.1	10	3	1	2.845	3.155	
-9.1	312.5	3	1	2.845	3.155	
-9.1	425	50	1	47.750	52.250	
-9.1	501	99	1	95.035	102.965	
-9.1	501	50	1	47.750	52.250	
-9.1	501	3	1	2.845	3.155	
-9.1	568.75	50	1	47.750	52.250	
-9.1	656.25	99	1	95.035	102.965	
-9.1	656.25	50	1	47.750	52.250	
-9.1	656.25	3	1	2.845	3.155	
-9.1	750	99	1	95.035	102.965	
-9.1	750	50	1	47.750	52.250	
-9.1	750	3	1	2.845	3.155	
-9.1	856.25	99	1	95.035	102.965	
-9.1	856.25	50	1	47.750	52.250	
-9.1	856.25	3	1	2.845	3.155	
-9.1	956.25	50	1	47.750	52.250	
-9.1	976.002	3	1	2.845	3.155	
-9.1	1000	99	1	95.035	102.965	

**Table 55 RF Gen FM Accuracy Table (Continued)**

Level (dBm)	RF (MHz)	Deviation (kHz)	Rate (kHz)	Measured FM Deviation Limits (kHz)		
				Lower	Upper	Actual
-9.1	1000	50	1	47.750	52.250	
-9.1	1000	11	1	10.115	11.885	
-9.1	1000	3	1	2.845	3.155	

## RF Gen FM Flatness Performance Test 6

**Table 56** RF Gen FM Flatness Table

Level (dBm)	RF (MHz)	Deviation (kHz)	Rate	Computed FM Flatness Limits (dB)		Measured Reading (kHz)	Computed Results (dB)
				Lower	Upper		
-9.1	521	50	1 kHz	-1.0	1.0		0 dB
-9.1	521	50	100 Hz	-1.0	1.0		
-9.1	521	50	200 Hz	-1.0	1.0		
-9.1	521	50	2 kHz	-1.0	1.0		
-9.1	521	50	10 kHz	-1.0	1.0		
-9.1	521	50	25 kHz	-1.0	1.0		
-9.1	975.5	50	1 kHz	-1.0	1.0		0 dB
-9.1	975.5	50	100 Hz	-1.0	1.0		
-9.1	975.5	50	200 Hz	-1.0	1.0		
-9.1	975.5	50	2 kHz	-1.0	1.0		
-9.1	975.5	50	10 kHz	-1.0	1.0		
-9.1	975.5	50	25 kHz	-1.0	1.0		

## RF Gen Residual FM Performance Test 7

**Table 57** RF Gen Residual FM Table

LO (MHz)	RF (MHz)	Measured Residual FM Limits (Hz)	
		Upper	Actual
11.5	10	7	
101.5	100	7	
249.5	248	7	
251.5	250	4	
401.5	400	4	
501.5	500	4	
502.5	501	7	
512.701	511.201	7	
513.101	511.601	7	
513.501	512.001	7	
626.5	625	7	
736.5	735	7	
741.5	740	7	
746.5	745	7	
751.5	750	7	
769.501	768.001	7	
846.5	845	7	
851.5	850	7	
856.5	855	7	
866.5	865	7	

**Table 57** RF Gen Residual FM Table (Continued)

LO (MHz)	RF (MHz)	Measured Residual FM Limits (Hz)	
		Upper	Actual
901.5	900	7	
999.901	998.401	7	
1001.5	1000	7	

## RF Gen Duplex Output High Level Accuracy Performance Test 8

**Table 58** RF Gen High Level Accuracy at Duplex Output Table

RF (MHz)	Level (dBm)	Measured Level Limits (dBm)		
		Lower	Upper	Actual
0.375	7	6.000	8.000	
0.375	1	0.000	2.000	
1	7	6.000	8.000	
1	1	0.000	2.000	
3	7	6.000	8.000	
3	1	0.000	2.000	
10	7	6.000	8.000	
10	1	0.000	2.000	
30	7	6.000	8.000	
30	1	0.000	2.000	
100	7	6.000	8.000	
100	1	0.000	2.000	
300	7	6.000	8.000	
300	1	0.000	2.000	
687.5	7	6.000	8.000	
687.5	1	0.000	2.000	
800	7	6.000	8.000	
800	1	0.000	2.000	
900	7	6.000	8.000	

**Table 58** RF Gen High Level Accuracy at Duplex Output Table (Continued)

RF (MHz)	Level (dBm)	Measured Level Limits (dBm)		
		Lower	Upper	Actual
900	1	0.000	2.000	
1000	7	6.000	8.000	
1000	1	0.000	2.000	



## RF Gen Duplex Output Low Level Accuracy Performance Test 9

**Table 59** RF Gen Low Level Accuracy at Duplex Output Table

RF (MHz)	Level (dBm)	Measured Level Limits (dBm)		
		Lower	Upper	Actual
3	1	0.000	2.000	
3	-4	-5.000	-3.000	
3	-9	-10.000	-8.000	
3	-14	-15.000	-13.000	
3	-19	-20.000	-18.000	
3	-24	-25.000	-23.000	
3	-29	-30.000	-28.000	
3	-34	-35.000	-33.000	
3	-39	-40.000	-38.000	
3	-44	-45.000	-43.000	
3	-49	-50.000	-48.000	
3	-54	-55.000	-53.000	
3	-59	-60.000	-58.000	
3	-64	-65.000	-63.000	
3	-69	-70.000	-68.000	
3	-74	-75.000	-73.000	
3	-79	-80.000	-78.000	
3	-84	-85.000	-83.000	
3	-89	-90.000	-88.000	
3	-94	-95.000	-93.000	
3	-99	-100.000	-98.000	

Table 59 RF Gen Low Level Accuracy at Duplex Output Table (Continued)

RF (MHz)	Level (dBm)	Measured Level Limits (dBm)		
		Lower	Upper	Actual
3	-104	-105.000	-103.000	
3	-109	-110.000	-108.000	
3	-114	-115.000	-113.000	
3	-119	-120.000	-118.000	
3	-124	-125.000	-123.000	
687.5	1	0.000	2.000	
687.5	-4	-5.000	-3.000	
687.5	-9	-10.000	-8.000	
687.5	-14	-15.000	-13.000	
687.5	-19	-20.000	-18.000	
687.5	-24	-25.000	-23.000	
687.5	-29	-30.000	-28.000	
687.5	-34	-35.000	-33.000	
687.5	-39	-40.000	-38.000	
687.5	-44	-45.000	-43.000	
687.5	-49	-50.000	-48.000	
687.5	-54	-55.000	-53.000	
687.5	-59	-60.000	-58.000	
687.5	-64	-65.000	-63.000	
687.5	-69	-70.000	-68.000	
687.5	-74	-75.000	-73.000	
687.5	-79	-80.000	-78.000	
687.5	-84	-85.000	-83.000	

**Table 59 RF Gen Low Level Accuracy at Duplex Output Table (Continued)**

RF (MHz)	Level (dBm)	Measured Level Limits (dBm)		
		Lower	Upper	Actual
687.5	-89	-90.000	-88.000	
687.5	-94	-95.000	-93.000	
687.5	-99	-100.000	-98.000	
687.5	-104	-105.000	-103.000	
687.5	-109	-110.000	-108.000	
687.5	-114	-115.000	-113.000	
687.5	-119	-120.000	-118.000	
687.5	-124	-125.000	-123.000	
1000	1	0.000	2.000	
1000	-4	-5.000	-3.000	
1000	-9	-10.000	-8.000	
1000	-14	-15.000	-13.000	
1000	-19	-20.000	-18.000	
1000	-24	-25.000	-23.000	
1000	-29	-30.000	-28.000	
1000	-34	-35.000	-33.000	
1000	-39	-40.000	-38.000	
1000	-44	-45.000	-43.000	
1000	-49	-50.000	-48.000	
1000	-54	-55.000	-53.000	
1000	-59	-60.000	-58.000	
1000	-64	-65.000	-63.000	
1000	-69	-70.000	-68.000	

**Table 59** RF Gen Low Level Accuracy at Duplex Output Table (Continued)

RF (MHz)	Level (dBm)	Measured Level Limits (dBm)		
		Lower	Upper	Actual
1000	-74	-75.000	-73.000	
1000	-79	-80.000	-78.000	
1000	-84	-85.000	-83.000	
1000	-89	-90.000	-88.000	
1000	-94	-95.000	-93.000	
1000	-99	-100.000	-98.000	
1000	-104	-105.000	-103.000	
1000	-109	-110.000	-108.000	
1000	-114	-115.000	-113.000	
1000	-119	-120.000	-118.000	
1000	-124	-125.000	-123.000	

**Table 60 RF Gen Level Accuracy at Duplex Output Table  
 (Additional Frequencies For HP 83236A PCS Interface)**

Level (dBm)	Frequency (MHz)		
	824	859	894
-7			
-8			
-9			
-10			
-11			
-12			
-13			
-14			
-15			
-16			
-17			
-22			
-27			
-32			
-37			
-42			
-47			
-52			
-57			
-62			
-67			

**Table 61**

<b>One-half Maximum Minus Minimum (dB)</b>	
<b>Upper</b>	<b>Actual</b>
0.63	

**RF Gen RF IN/OUT Level Accuracy Performance Test 10**

**Table 62 RF Gen Level Accuracy at RF INPUT/OUTPUT**

RF (MHz)	Level (dBm)	Measured Level Limits (dBm)		
		Lower	Upper	Actual
3	-19	-20.200	-17.800	
3	-24	-25.200	-22.800	
3	-29	-30.200	-27.800	
3	-34	-35.200	-32.800	
3	-39	-40.200	-37.800	
3	-44	-45.200	-42.800	
3	-49	-50.200	-47.800	
3	-54	-55.200	-52.800	
3	-59	-60.200	-57.800	
3	-64	-65.200	-62.800	
3	-69	-70.200	-67.800	
3	-74	-75.200	-72.800	
3	-79	-80.200	-77.800	
3	-84	-85.200	-82.800	
3	-89	-90.200	-87.800	
3	-94	-95.200	-92.800	
3	-99	-100.200	-97.800	
3	-104	-105.200	-102.800	
3	-109	-110.200	-107.800	
3	-114	-115.200	-112.800	

**Table 62 RF Gen Level Accuracy at RF INPUT/OUTPUT (Continued)**

RF (MHz)	Level (dBm)	Measured Level Limits (dBm)		
		Lower	Upper	Actual
3	-119	-120.200	-117.800	
3	-124	-125.200	-122.800	
687.5	-19	-20.200	-17.800	
687.5	-24	-25.200	-22.800	
687.5	-29	-30.200	-27.800	
687.5	-34	-35.200	-32.800	
687.5	-39	-40.200	-37.800	
687.5	-44	-45.200	-42.800	
687.5	-49	-50.200	-47.800	
687.5	-54	-55.200	-52.800	
687.5	-59	-60.200	-57.800	
687.5	-64	-65.200	-62.800	
687.5	-69	-70.200	-67.800	
687.5	-74	-75.200	-72.800	
687.5	-79	-80.200	-77.800	
687.5	-84	-85.200	-82.800	
687.5	-89	-90.200	-87.800	
687.5	-94	-95.200	-92.800	
687.5	-99	-100.200	-97.800	
687.5	-104	-105.200	-102.800	
687.5	-109	-110.200	-107.800	
687.5	-114	-115.200	-112.800	
687.5	-119	-120.200	-117.800	



**Table 62 RF Gen Level Accuracy at RF INPUT/OUTPUT (Continued)**

RF (MHz)	Level (dBm)	Measured Level Limits (dBm)		
		Lower	Upper	Actual
687.5	-124	-125.200	-122.800	
1000	-19	-20.200	-17.800	
1000	-24	-25.200	-22.800	
1000	-29	-30.200	-27.800	
1000	-34	-35.200	-32.800	
1000	-39	-40.200	-37.800	
1000	-44	-45.200	-42.800	
1000	-49	-50.200	-47.800	
1000	-54	-55.200	-52.800	
1000	-59	-60.200	-57.800	
1000	-64	-65.200	-62.800	
1000	-69	-70.200	-67.800	
1000	-74	-75.200	-72.800	
1000	-79	-80.200	-77.800	
1000	-84	-85.200	-82.800	
1000	-89	-90.200	-87.800	
1000	-94	-95.200	-92.800	
1000	-99	-100.200	-97.800	
1000	-104	-105.200	-102.800	
1000	-109	-110.200	-107.800	
1000	-114	-115.200	-112.800	
1000	-119	-120.200	-117.800	
1000	-124	-125.200	-122.800	

## RF Gen Harmonics Spectral Purity Performance Test 11

**Table 63** RF Gen Harmonics at +1 dBm Table

Level (dBm)	RF (MHz)	Harmonic Number	Harmonic Limits (dBc)	
			Upper	Actual
+1	1	2nd	-30.000	
+1	1	3rd	-30.000	
+1	2	2nd	-30.000	
+1	2	3rd	-30.000	
+1	5	2nd	-30.000	
+1	5	3rd	-30.000	
+1	10	2nd	-30.000	
+1	10	3rd	-30.000	
+1	20	2nd	-30.000	
+1	20	3rd	-30.000	
+1	50	2nd	-30.000	
+1	50	3rd	-30.000	
+1	100	2nd	-30.000	
+1	100	3rd	-30.000	
+1	200	2nd	-30.000	
+1	200	3rd	-30.000	
+1	300	2nd	-30.000	
+1	300	3rd	-30.000	
+1	400	2nd	-30.000	
+1	400	3rd	-30.000	

**Table 63 RF Gen Harmonics at +1 dBm Table (Continued)**

Level (dBm)	RF (MHz)	Harmonic Number	Harmonic Limits (dBc)	
			Upper	Actual
+1	500	2nd	-30.000	
+1	500	3rd	-30.000	
+1	600	2nd	-30.000	
+1	600	3rd	-30.000	
+1	700	2nd	-30.000	
+1	700	3rd	-30.000	
+1	800	2nd	-30.000	
+1	800	3rd	-30.000	
+1	900	2nd	-30.000	
+1	900	3rd	-30.000	
+1	1000	2nd	-30.000	
+1	1000	3rd	-30.000	

**Table 64 RF Gen Harmonics at -4 dBm Table**

Level (dBm)	RF Freq (MHz)	Harmonic Number	Harmonic Limits (dBc)	
			Upper	Actual
-4	1	2nd	-30.000	
-4	1	3rd	-30.000	
-4	2	2nd	-30.000	
-4	2	3rd	-30.000	
-4	5	2nd	-30.000	
-4	5	3rd	-30.000	
-4	10	2nd	-30.000	
-4	10	3rd	-30.000	

**Table 64** RF Gen Harmonics at -4 dBm Table (Continued)

Level (dBm)	RF Freq (MHz)	Harmonic Number	Harmonic Limits (dBc)	
			Upper	Actual
-4	20	2nd	-30.000	
-4	20	3rd	-30.000	
-4	50	2nd	-30.000	
-4	50	3rd	-30.000	
-4	100	2nd	-30.000	
-4	100	3rd	-30.000	
-4	200	2nd	-30.000	
-4	200	3rd	-30.000	
-4	300	2nd	-30.000	
-4	300	3rd	-30.000	
-4	400	2nd	-30.000	
-4	400	3rd	-30.000	
-4	500	2nd	-30.000	
-4	500	3rd	-30.000	
-4	600	2nd	-30.000	
-4	600	3rd	-30.000	
-4	700	2nd	-30.000	
-4	700	3rd	-30.000	
-4	800	2nd	-30.000	
-4	800	3rd	-30.000	
-4	900	2nd	-30.000	
-4	900	3rd	-30.000	
-4	1000	2nd	-30.000	
-4	1000	3rd	-30.000	

**Table 65 RF Gen Half-Harmonics at +1 dBm Table**

Level (dBm)	RF (MHz)	Half Frequency (MHz)	Half-Harmonic Limits (dBc)	
			Upper	Actual
+1	501	250.5	-60.000	
+1	850	425	-60.000	
+1	1000	500	-60.000	

**Table 66 RF Gen Half-Harmonics at -4 dBm Table**

Level (dBm)	RF (MHz)	Half Frequency (MHz)	Half-Harmonic Limits (dBc)	
			Upper	Actual
-4	501	250.5	-60.000	
-4	850	425	-60.000	
-4	1000	500	-60.000	

## RF Gen Spurious Spectral Purity Performance Test 12

**Table 67** RF Gen Spurious Signal at +1 dBm Table

Spur Source	RF (MHz)	Spur Freq (MHz)	Spurious Signal at +1 dBm Limits (dBc)	
			Upper	Actual
3/2 Mixer	242	274	-60.000	
3/2 Mixer	247	259	-60.000	

**Table 68** RF Gen Spurious Signal at -4 dBm Table

Spur Source	RF (MHz)	Spur Freq (MHz)	Spurious Signal at -4 dBm Limits (dBc)	
			Upper	Actual
Supply	100	100.03	-60.000	
Supply	400	400.03	-60.000	
Supply	501	501.03	-60.000	
Supply	1000	999.97	-60.000	
Supply	100	.03	-60.000	
RF Feedthru	1	999	-60.000	
LO Feedthru	1	1000	-60.000	
RF Feedthru	11	989	-60.000	
RF Feedthru	21	979	-60.000	
RF Feedthru	41	959	-60.000	
RF Feedthru	61	939	-60.000	
RF Feedthru	81	919	-60.000	
RF Feedthru	91	909	-60.000	

**Table 68 RF Gen Spurious Signal at – 4 dBm Table (Continued)**

Spur Source	RF (MHz)	Spur Freq (MHz)	Spurious Signal at –4 dBm Limits (dBc)	
			Upper	Actual
RF Feedthru	101	899	-60.000	
RF Feedthru	111	889	-60.000	
RF Feedthru	121	879	-60.000	
3/2 Mixer	242	274	-60.000	
3/2 Mixer	247	259	-60.000	
4/3 Mixer	242	32	-60.000	
4/3 Mixer	247	12	-60.000	
5/4 Mixer	211	55	-60.000	
5/4 Mixer	217	85	-60.000	
5/4 Mixer	221	105	-60.000	
5/4 Mixer	227	135	-60.000	
5/4 Mixer	231	155	-60.000	
5/4 Mixer	237	185	-60.000	
Ref 10 MHz	165	175	-60.000	
Ref 200 kHz	150	150.2	-60.000	
Ref 200 kHz	150	149.8	-60.000	
Ref 200 kHz	150	150.4	-60.000	
Ref 200 kHz	150	149.6	-60.000	
Ref 200 kHz	150	150.6	-60.000	
Reference	150	149.4	-60.000	

## AF Gen AC Level Accuracy Performance Test 13

**Table 69 AF Gen AC Level Accuracy Table**

AF Gen	Frequency (Hz)	Level (mV)	Measured AC Level Accuracy Limits (mV)		
			Lower	Upper	Actual
1	25000	4000	3885.000	4115.000	
1	25000	700	682.500	717.500	
1	25000	75	70.000	80.000	
1	10000	4000	3885.000	4115.000	
1	10000	700	682.500	717.500	
1	10000	75	70.000	80.000	
1	1000	4000	3885.000	4115.000	
1	1000	700	682.500	717.500	
1	1000	75	70.000	80.000	
1	100	4000	3885.000	4115.000	
1	100	700	682.500	717.500	
1	100	75	70.000	80.000	
2	25000	4000	3885.000	4115.000	
2	25000	700	682.500	717.500	
2	25000	75	70.000	80.000	
2	10000	4000	3885.000	4115.000	
2	10000	700	682.500	717.500	
2	10000	75	70.000	80.000	
2	1000	4000	3885.000	4115.000	
2	1000	700	682.500	717.500	



**Table 69 AF Gen AC Level Accuracy Table (Continued)**

AF Gen	Frequency (Hz)	Level (mV)	Measured AC Level Accuracy Limits (mV)		
			Lower	Upper	Actual
2	1000	75	70.000	80.000	
2	100	4000	3885.000	4115.000	
2	100	700	682.500	717.500	
2	100	75	70.000	80.000	

---

## AF Gen DC Level Accuracy Performance Test 14

**Table 70** AF Gen DC Level Accuracy Table

AFGen	Level (mV)	Measured DC Level Accuracy Limits (mV)		
		Lower	Upper	Actual
1	4000	3820.000	4180.000	
1	1000	925.000	1075.000	
2	4000	3820.000	4180.000	
2	1000	925.000	1075.000	

**AF Gen Residual Distortion  
 Performance Test 15**

**Table 71 AF Gen Residual Distortion Table**

AFGen	Frequency (Hz)	Level (mV)	Measured Residual Distortion (%)		
			Lower	Upper	Actual
1	25000	4000	0.000	.125	
1	25000	2000	0.000	.125	
1	25000	200	0.000	.125	
1	10000	4000	0.000	.125	
1	10000	2000	0.000	.125	
1	10000	200	0.000	.125	
1	1000	4000	0.000	.125	
1	1000	2000	0.000	.125	
1	1000	200	0.000	.125	
1	100	4000	0.000	.125	
1	100	2000	0.000	.125	
1	100	200	0.000	.125	
2	25000	4000	0.000	.125	
2	25000	2000	0.000	.125	
2	25000	200	0.000	.125	
2	10000	4000	0.000	.125	
2	10000	2000	0.000	.125	
2	10000	200	0.000	.125	
2	1000	4000	0.000	.125	
2	1000	2000	0.000	.125	

**Table 71** AF Gen Residual Distortion Table (Continued)

AFGen	Frequency (Hz)	Level (mV)	Measured Residual Distortion (%)		
			Lower	Upper	Actual
2	1000	200	0.000	.125	
2	100	4000	0.000	.125	
2	100	2000	0.000	.125	
2	100	200	0.000	.125	

## AF Gen Frequency Accuracy Performance Test 16

**Table 72 AF Gen Frequency Accuracy Table**

AFGen	Frequency (Hz)	Measured Frequency (Hz)		
		Lower	Upper	Actual
1	25000	24993.750	25006.250	
1	10000	9997.500	10002.500	
1	5000	4998.750	5001.250	
1	2000	1999.500	2000.500	
1	1000	999.750	1000.250	
1	500	499.875	500.125	
1	200	199.950	200.050	
1	100	99.975	100.025	
1	50	49.988	50.012	
1	20	19.995	20.005	
2	25000	24993.750	25006.250	
2	10000	9997.500	10002.500	
2	5000	4998.750	5001.250	
2	2000	1999.500	2000.500	
2	1000	999.750	1000.250	
2	500	499.875	500.125	
2	200	199.950	200.050	
2	100	99.975	100.025	
2	50	49.988	50.012	
2	20	19.995	20.005	

## AF Analyzer AC Voltage Accuracy Performance Test 17

**Table 73** AF Analyzer AC Voltage Accuracy Table

Frequency (Hz)	Level (mV)	AC Voltage Accuracy Limits (mV)		
		Lower	Upper	Actual
15000	5000	4849.850	5150.150	
2000	5000	4849.850	5150.150	
200	5000	4849.850	5150.150	
20	5000	4849.850	5150.150	
15000	500	484.850	515.150	
2000	500	484.850	515.150	
200	500	484.850	515.150	
20	500	484.850	515.150	
15000	50	48.350	51.650	
2000	50	48.350	51.650	
200	50	48.350	51.650	
20	50	48.350	51.650	

---

**AF Analyzer Residual Noise  
Performance Test 18**

**Table 74 AF Analyzer Residual Noise Table**

<b>Residual Noise (<math>\mu\text{V}</math>)</b>	
<b>Upper</b>	<b>Actual</b>
150	

---

## AF Analyzer Distortion, SINAD and SNR Accuracy Performance Test 19

**Table 75 AF Analyzer Distortion and SINAD Accuracy**

Harmonic Frequency (kHz)	Harmonic Level (V)	Measurement Type	Distortion (%) and SINAD (dB) Accuracy Limits		
			Lower	Upper	Actual
2	.1	Distortion	8.856	11.144	
2	.1	SINAD	19.043	21.043	
3	.1	Distortion	8.856	11.144	
3	.1	SINAD	19.043	21.043	
2	.01	Distortion	.890	1.120	
2	.01	SINAD	39.000	41.000	
3	.01	Distortion	.890	1.120	
3	.01	SINAD	39.000	41.000	
2	.005	Distortion	.445	.560	
2	.005	SINAD	45.021	47.021	
3	.005	Distortion	.445	.560	
3	.005	SINAD	45.021	47.021	



**Table 76 SNR (Signal to Noise Ratio)**

Harmonic Frequency (kHz)	Harmonic Level(V)	Measurement Type	SNR dB Accuracy Limits		
			Lower	Upper	Actual
2	.1	SNR	19.000	21.000	
2	.01	SNR	39.000	41.000	

---

## AF Analyzer DC Level Accuracy Performance Test 20

**Table 77** AF Analyzer DC Voltage Accuracy

Level (mV)	DC Voltage Limits (mV)		
	Lower	Upper	Actual
5000	4905.000	5095.000	
500	450.000	550.000	

---

## AF Analyzer Frequency Accuracy to 100 kHz Performance Test 21

**Table 78** AF Analyzer Frequency Accuracy to 100 kHz

Frequency (Hz)	HP 8902A Counter Limits (Hz)		
	Lower	Upper	Actual
20	19.986	20.014	
100	99.970	100.030	
1000	999.790	1000.210	
10000	9997.90	1002.10	
100000	99979	100021	

---

## AF Analyzer Frequency Accuracy at 400 kHz Performance Test 22

**Table 79** AF Analyzer Freq Acc at 400 kHz Table

Frequency Accuracy at 400 kHz (kHz)		
Lower	Upper	Actual
399.920	400.080	

---

## Oscilloscope Performance Test 23

**Table 80**                      **Oscilloscope Amplitude Accuracy Table**

Frequency (kHz)	Level (V)	Amplitude Limits (V)		
		Lower	Upper	Actual
1	5	6.765	7.377	
10	5	6.765	7.377	
50	5	5.000	10.000	

---

## RF Analyzer Level Accuracy Performance Test 24

**Table 81**                      **RF Analyzer Level Accuracy Table**

Power	Level Accuracy Limits (mW)		
	Lower	Upper	Actual
500 mW	475	525	
200 mW	190	210	

**RF Analyzer AM Accuracy  
 Performance Test 25**

**Table 82 RF Analyzer AM Accuracy Table**

Det	Depth (%)	Rate (Hz)	AM Accuracy Limits (%)		
			Lower	Upper	Actual
Pk+	10	50	8.000	12.000	
Pk-	10	50	8.000	12.000	
Pk+	10	1000	8.000	12.000	
Pk-	10	1000	8.000	12.000	
Pk+	10	10000	8.000	12.000	
Pk-	10	10000	8.000	12.000	
Pk+	30	50	27.000	33.000	
Pk-	30	50	27.000	33.000	
Pk+	30	1000	27.000	33.000	
Pk-	30	1000	27.000	33.000	
Pk+	30	10000	27.000	33.000	
Pk-	30	10000	27.000	33.000	
Pk+	50	50	46.000	54.000	
Pk-	50	50	46.000	54.000	
Pk+	50	1000	46.000	54.000	
Pk-	50	1000	46.000	54.000	
Pk+	50	10000	46.000	54.000	
Pk-	50	10000	46.000	54.000	
Pk+	70	50	65.000	75.000	
Pk-	70	50	65.000	75.000	

**Table 82 RF Analyzer AM Accuracy Table (Continued)**

Det	Depth (%)	Rate (Hz)	AM Accuracy Limits (%)		
			Lower	Upper	Actual
Pk+	70	1000	65.000	75.000	
Pk-	70	1000	65.000	75.000	
Pk+	70	10000	65.000	75.000	
Pk-	70	10000	65.000	75.000	
Pk+	80	50	74.500	85.500	
Pk-	80	50	74.500	85.500	
Pk+	80	1000	74.500	85.500	
Pk-	80	1000	74.500	85.500	
Pk+	80	10000	74.500	85.500	
Pk-	80	10000	74.500	85.500	



---

## RF Analyzer AM Distortion Performance Test 26

**Table 83**                      **RF Analyzer AM Distortion Table**

AM Distortion	AM Distortion Limits (%)	
	Upper	Actual
Depth 10%	2.000	
Depth 30%	2.000	
Depth 50%	2.000	
Depth 70%	2.000	
Depth 80%	2.000	

---

## RF Analyzer Residual AM Performance Test 27

**Table 84**                      **RF Analyzer Residual AM Table**

<b>Residual AM (%)</b>	
<b>Upper</b>	<b>Actual</b>
0.2	

**RF Analyzer FM Accuracy  
 Performance Test 28**

**Table 85 RF Analyzer FM Accuracy Table**

RF (MHz)	Deviation (kHz)	Rate (Hz)	FM Accuracy Limits (kHz)		
			Lower	Upper	Actual
12.5	1	50	.960	1.040	
12.5	1	1000	.960	1.040	
12.5	1	25000	.960	1.040	
12.5	10	50	9.600	10.400	
12.5	10	1000	9.600	10.400	
12.5	10	25000	9.600	10.400	
400	10	50	9.600	10.400	
400	10	1000	9.600	10.400	
400	10	25000	9.600	10.400	
400	17	50	16.320	17.680	
400	17	1000	16.320	17.680	
400	17	25000	16.320	17.680	

---

## RF Analyzer FM Distortion Performance Test 29

**Table 86**                      **RF Analyzer FM Distortion Table**

Deviation (kHz)	FM Distortion Limits (%)	
	Upper	Actual
5	1.000	
25	1.000	
75	1.000	

---

## RF Analyzer FM Bandwidth Performance Test 30

**Table 87**      **RF Analyzer FM Bandwidth Table**

FM bandwidth (dB)	
Upper	Actual
3.0	

---

## RF Analyzer Residual FM Performance Test 31

**Table 88**                      **RF Analyzer Residual FM Table**

<b>Residual FM (Hz)</b>	
<b>Upper</b>	<b>Actual</b>
7	

## RF Analyzer SSB Demodulation Performance Test 32

**Table 89 SSB Distortion Table**

RF Generator Frequency (MHz)	RF Generator Amplitude (dBm)	RF Analyzer Frequency (MHz)	Measured Distortion (%)	
			Upper Limit	Actual
122	-19	122.001	3	
122	-33	122.001	3	
620	-19	620.001	3	
620	-33	620.001	3	
900	-19	900.001	3	
900	-33	900.001	3	

**Table 90 SSB Flatness Table**

RF Analyzer Frequency (MHz)	Audio Analyzer Reading (dBv)
501.001	
501.010	
501.050	
501.070	
Upper Limits (dB)	Highest Lowest Reading (dB)
3	

## Spectrum Analyzer Image Rejection Performance Test 33

**Table 91**                      **Image Rejection Table**

Signal Generator Frequency (MHz) (image)	UUT Spectrum Analyzer Center Frequency (MHz) (signal)	Measure Image Response (dB)	
		Upper Limit	Actual
613.6	385.0	-50	
873.6	645.0	-50	
883.6	655.0	-50	
1023.6	795.0	-50	
1000.0	771.4	-50	
576.4	805.0	-50	
771.4	1000.0	-50	
319.02	300.0	-50	



**Table 92 Residual Response Analyzer**

UUT Spectrum Analyzer Center Frequency (MHz)	Measured Residual Response (dBm)	
	Upper Limit	Actual
5.534	-70	
10.0	-70	
20.0	-70	
21.4	-70	
107.126	-70	
164.28	-70	
257.139	-70	
271.4	-70	
347.607	-70	
500.0	-70	

---

## HP 8921A Performance Test Record

### HP 8921A Cell Site Test Set

Tested By \_\_\_\_\_ Serial Number \_\_\_\_\_ Date \_\_\_\_\_

Temp \_\_\_\_\_ Humidity \_\_\_\_\_ Time \_\_\_\_\_

## RF Gen FM Distortion Performance Test 4

**Table 93 RF Gen FM Distortion Table**

Level (dBm)	RF (MHz)	Deviation (kHz)	Rate (kHz)	Measured FM Limits (%)		
				Lower	Upper	Actual
-9.1	10	99	1	0.00	0.50	
-9.1	10	5	1	0.00	0.50	
-9.1	312.5	5	1	0.00	0.50	
-9.1	425	50	1	0.00	0.50	
-9.1	501	99	1	0.00	0.50	
-9.1	501	50	1	0.00	0.50	
-9.1	501	5	1	0.00	0.50	
-9.1	568.75	50	1	0.00	0.50	
-9.1	656.25	99	1	0.00	0.50	
-9.1	656.25	50	1	0.00	0.50	
-9.1	656.25	5	1	0.00	0.50	
-9.1	750	99	1	0.00	0.50	
-9.1	750	50	1	0.00	0.50	
-9.1	750	5	1	0.00	0.50	
-9.1	856.25	99	1	0.00	0.50	
-9.1	856.25	50	1	0.00	0.50	
-9.1	856.25	5	1	0.00	0.50	
-9.1	956.25	50	1	0.00	0.50	
-9.1	976.002	5	1	0.00	0.50	
-9.1	000	99	1	0.00	0.50	

Table 93 RF Gen FM Distortion Table (Continued)

Level (dBm)	RF (MHz)	Deviation (kHz)	Rate (kHz)	Measured FM Limits (%)		
				Lower	Upper	Actual
-9.1	1000	50	1	0.00	0.50	
-9.1	1000	11	1	0.00	0.50	
-9.1	1000	5	1	0.00	0.50	
-9.1	1000	6	1	0.00	0.50	
-9.1	1000	7	1	0.00	0.50	
-9.1	1000	8	1	0.00	0.50	
-9.1	1000	9	1	0.00	0.50	
-9.1	998.401	8	1	0.00	0.50	
-9.1	768.001	8	1	0.00	0.50	
-9.1	512.001	8	1	0.00	0.50	
-9.1	511.601	8	1	0.00	0.50	
-9.1	511.201	8	1	0.00	0.50	

**RF Gen FM Accuracy  
 Performance Test 5**

**Table 94 RF Gen FM Accuracy Table**

Level (dBm)	RF (MHz)	Deviation (kHz)	Rate (kHz)	Measured FM Deviation Limits (kHz)				Actual
				Lower (STD)	Upper (STD)	Lower (050)	Upper (050)	
-9.1	10	99	1	91.075	106.925	95.035	102.965	
-9.1	10	3	1	2.725	3.275	2.845	3.155	
-9.1	312.5	3	1	2.725	3.275	2.845	3.155	
-9.1	425	50	1	45.750	54.250	47.750	52.250	
-9.1	501	99	1	91.075	106.925	95.035	102.965	
-9.1	501	50	1	45.750	54.250	47.750	52.250	
-9.1	501	3	1	2.725	3.275	2.845	3.155	
-9.1	568.75	50	1	45.750	54.250	47.750	52.250	
-9.1	656.25	99	1	91.075	106.925	95.035	102.965	
-9.1	656.25	50	1	45.750	54.250	47.750	52.250	
-9.1	656.25	3	1	2.725	3.275	2.845	3.155	
-9.1	750	99	1	91.075	106.925	95.035	102.965	
-9.1	750	50	1	45.750	54.250	47.750	52.250	
-9.1	750	3	1	2.725	3.275	2.845	3.155	
-9.1	856.25	99	1	91.075	106.925	95.035	102.965	
-9.1	856.25	50	1	45.750	54.250	47.750	52.250	
-9.1	856.25	3	1	2.725	3.275	2.845	3.155	
-9.1	956.25	50	1	45.750	54.250	47.750	52.250	
-9.1	976.002	3	1	2.725	3.275	2.845	3.155	

**Table 94**                      **RF Gen FM Accuracy Table (Continued)**

Level (dBm)	RF (MHz)	Deviation (kHz)	Rate (kHz)	Measured FM Deviation Limits (kHz)				
				Lower (STD)	Upper (STD)	Lower (050)	Upper (050)	Actual
-9.1	1000	99	1	91.075	106.925	95.035	102.965	
-9.1	1000	50	1	45.750	54.250	47.750	52.250	
-9.1	1000	11	1	9.675	12.325	10.115	11.885	
-9.1	1000	3	1	2.725	3.275	2.845	3.155	

**RF Gen FM Flatness  
 Performance Test 6**

**Table 95 RF Gen FM Flatness Table**

Level (dBm)	RF (MHz)	Deviation (kHz)	Rate	Computed FM Flatness Limits (dB)		Measured Reading (kHz)	Computed Results (dB)
				Lower	Upper		
-9.1	521	50	1 kHz	-1.0	1.0		0 dB
-9.1	521	50	100 Hz	-1.0	1.0		
-9.1	521	50	200 Hz	-1.0	1.0		
-9.1	521	50	2 kHz	-1.0	1.0		
-9.1	521	50	10 kHz	-1.0	1.0		
-9.1	521	50	25 kHz	-1.0	1.0		
-9.1	975.5	50	1 kHz	-1.0	1.0		0 dB
-9.1	975.5	50	100 Hz	-1.0	1.0		
-9.1	975.5	50	200 Hz	-1.0	1.0		
-9.1	975.5	50	2 kHz	-1.0	1.0		
-9.1	975.5	50	10 kHz	-1.0	1.0		
-9.1	975.5	50	25 kHz	-1.0	1.0		

---

## RF Gen Residual FM Performance Test 7

**Table 96**                      **RF Gen Residual FM Table**

LO (MHz)	RF (MHz)	Measured Residual FM Limits (Hz)	
		Upper	Actual
11.5	10	7	
101.5	100	7	
249.5	248	7	
251.5	250	4	
401.5	400	4	
501.5	500	4	
502.5	501	7	
512.701	511.201	7	
513.101	511.601	7	
513.501	512.001	7	
626.5	625	7	
736.5	735	7	
741.5	740	7	
746.5	745	7	
751.5	750	7	
769.501	768.001	7	
846.5	845	7	
851.5	850	7	
856.5	855	7	
866.5	865	7	



**Table 96**                      **RF Gen Residual FM Table (Continued)**

<b>LO (MHz)</b>	<b>RF (MHz)</b>	<b>Measured Residual FM Limits (Hz)</b>	
		<b>Upper</b>	<b>Actual</b>
901.5	900	7	
999.901	998.401	7	
1001.5	1000	7	

## RF Gen Duplex Output High Level Accuracy Performance Test 8

**Table 97** RF Gen High Level Accuracy at Duplex Output Table

RF (MHz)	Level (dBm)	Measured Level Limits (dBm)		
		Lower	Upper	Actual
0.375	7	5.500	8.500	
0.375	1	-.500	2.500	
1	7	5.500	8.500	
1	1	-.500	2.500	
3	7	5.500	8.500	
3	1	-.500	2.500	
10	7	5.500	8.500	
10	1	-.500	2.500	
30	7	5.500	8.500	
30	1	-.500	2.500	
100	7	-.500	8.500	
100	1	-.500	2.500	
300	7	5.500	8.500	
300	1	-.500	2.500	
687.5	7	5.500	8.500	
687.5	1	-.500	2.500	
800	7	5.500	8.500	
800	1	-.500	2.500	
900	7	5.500	8.500	

**Table 97 RF Gen High Level Accuracy at Duplex Output Table**

RF (MHz)	Level (dBm)	Measured Level Limits (dBm)		
		Lower	Upper	Actual
900	1	-.500	2.500	
1000	7	5.500	8.500	
1000	1	-.500	2.500	

## RF Gen Duplex Output Low Level Accuracy Performance Test 9

**Table 98** RF Gen Low Level Accuracy at Duplex Output Table

RF (MHz)	Level (dBm)	Measured Level Limits (dBm)		
		Lower	Upper	Actual
3	1	-5.500	2.500	
3	-4	-5.500	-2.500	
3	-9	-10.500	-7.500	
3	-14	-15.500	-12.500	
3	-19	-20.500	-17.500	
3	-24	-25.500	-22.500	
3	-29	-30.500	-27.500	
3	-34	-35.500	-32.500	
3	-39	-40.500	-37.500	
3	-44	-45.500	-42.500	
3	-49	-50.500	-47.500	
3	-54	-55.500	-52.500	
3	-59	-60.500	-57.500	
3	-64	-65.500	-62.500	
3	-69	-70.500	-67.500	
3	-74	-75.500	-72.500	
3	-79	-80.500	-77.500	
3	-84	-85.500	-82.500	
3	-89	-90.500	-87.500	

**Table 98 RF Gen Low Level Accuracy at Duplex Output Table (Continued)**

RF (MHz)	Level (dBm)	Measured Level Limits (dBm)		
		Lower	Upper	Actual
3	-94	-95.500	-92.500	
3	-99	-100.500	-97.500	
3	-104	-105.500	-102.500	
3	-109	-110.500	-107.500	
3	-114	-115.500	-112.500	
3	-119	-120.500	-117.500	
3	-124	-125.500	-122.500	
687.5	1	-.500	2.500	
687.5	-4	-5.500	-2.500	
687.5	-9	-10.500	-7.500	
687.5	-14	-15.500	-12.500	
687.5	-19	-20.500	-17.500	
687.5	-24	-25.500	-22.500	
687.5	-29	-30.500	-27.500	
687.5	-34	-35.500	-32.500	
687.5	-39	-40.500	-37.500	
687.5	-44	-45.500	-42.500	
687.5	-49	-50.500	-47.500	
687.5	-54	-55.500	-52.500	
687.5	-59	-60.500	-57.500	
687.5	-64	-65.500	-62.500	
687.5	-69	-75.500	-67.500	
687.5	-74	-75.500	-72.500	

**Table 98** RF Gen Low Level Accuracy at Duplex Output Table (Continued)

RF (MHz)	Level (dBm)	Measured Level Limits (dBm)		
		Lower	Upper	Actual
687.5	-79	-80.500	-77.500	
687.5	-84	-85.500	-82.500	
687.5	-89	-90.500	-87.500	
687.5	-94	-95.500	-92.500	
687.5	-99	-100.500	-97.500	
687.5	-104	-105.500	-102.500	
687.5	-109	-110.500	-107.500	
687.5	-114	-115.500	-112.500	
687.5	-119	-120.500	-117.500	
687.5	-124	-125.500	-122.500	
1000	1	-.500	2.500	
1000	-4	-5.500	-2.500	
1000	-9	-10.500	-7.500	
1000	-14	-15.500	-12.500	
1000	-19	-20.500	-17.500	
1000	-24	-25.500	-22.500	
1000	-29	-30.500	-27.500	
1000	-34	-35.500	-32.500	
1000	-39	-40.500	-37.500	
1000	-44	-45.500	-42.500	
1000	-49	-50.500	-47.500	
1000	-54	-55.500	-52.500	
1000	-59	-60.500	-57.500	

**Table 98 RF Gen Low Level Accuracy at Duplex Output Table (Continued)**

RF (MHz)	Level (dBm)	Measured Level Limits (dBm)		
		Lower	Upper	Actual
1000	-64	-65.500	-62.500	
1000	-69	-70.500	-67.500	
1000	-74	-75.500	-72.500	
1000	-79	-80.500	-77.500	
1000	-84	-85.500	-82.500	
1000	-89	-90.500	-87.500	
1000	-94	-95.500	-92.500	
1000	-99	-100.500	-97.500	
1000	-104	-105.500	-102.500	
1000	-109	-110.500	-107.500	
1000	-114	-115.500	-112.500	
1000	-119	-120.500	-117.500	
1000	-124	-125.500	-122.500	

**Table 99**                      **RF Gen Level Accuracy at Duplex Output Table**  
**(Additional Frequencies For HP 83236A PCS Interface)**

Level (dBm)	Frequency (MHz)		
	824	859	894
-7			
-8			
-9			
-10			
-11			
-12			
-13			
-14			
-15			
-16			
-17			
-22			
-27			
-32			
-37			
-42			
-47			
-52			
-57			
-62			
-67			



**Table 100**

<b>One-half Maximum Minus Minimum (dB)</b>	
<b>Upper</b>	<b>Actual</b>
0.63	

## RF Gen RF IN/OUT Level Accuracy Performance Test 10

**Table 101** RF Gen Level Accuracy at RF INPUT/OUTPUT Table

RF (MHz)	Level (dBm)	Measured Level Limits (dBm)		
		Lower	Upper	Actual
3	-19	-20.800	-17.200	
3	-24	-25.800	-22.200	
3	-29	-30.800	-27.200	
3	-34	-35.800	-32.200	
3	-39	-40.800	-37.200	
3	-44	-45.800	-42.200	
3	-49	-50.800	-47.200	
3	-54	-55.800	-52.200	
3	-59	-60.800	-57.200	
3	-64	-65.800	-62.200	
3	-69	-70.800	-67.200	
3	-74	-75.800	-72.200	
3	-79	-80.800	-77.200	
3	-84	-85.800	-82.200	
3	-89	-90.800	-87.200	
3	-94	-95.800	-92.200	
3	-99	-100.800	-97.200	
3	-104	-105.800	-102.200	
3	-109	-110.800	-107.200	
3	-114	-115.800	-112.200	

**Table 101 RF Gen Level Accuracy at RF INPUT/OUTPUT Table (Continued)**

RF (MHz)	Level (dBm)	Measured Level Limits (dBm)		
		Lower	Upper	Actual
3	-119	-120.800	-117.200	
3	-124	-125.800	-122.200	
687.5	-19	-20.800	-17.200	
687.5	-24	-25.800	-22.200	
687.5	-29	-30.800	-27.200	
687.5	-34	-35.800	-32.200	
687.5	-39	-40.800	-37.200	
687.5	-44	-45.800	-42.200	
687.5	-49	-50.800	-47.200	
687.5	-54	-55.800	-52.200	
687.5	-59	-60.800	-57.200	
687.5	-64	-65.800	-62.200	
687.5	-69	-70.800	-67.200	
687.5	-74	-75.800	-72.200	
687.5	-79	-80.800	-77.200	
687.5	-84	-85.800	-82.200	
687.5	-89	-90.800	-87.200	
687.5	-94	-95.800	-92.200	
687.5	-99	-100.800	-97.200	
687.5	-104	-105.800	-102.200	
687.5	-109	-110.800	-107.200	
687.5	-114	-115.800	-112.200	
687.5	-119	-120.800	-117.200	

**Table 101** RF Gen Level Accuracy at RF INPUT/OUTPUT Table (Continued)

RF (MHz)	Level (dBm)	Measured Level Limits (dBm)		
		Lower	Upper	Actual
687.5	-124	-125.800	-122.200	
1000	-19	-20.800	-17.200	
1000	-24	-25.800	-22.200	
1000	-29	-30.800	-27.200	
1000	-34	-35.800	-32.200	
1000	-39	-40.800	-37.200	
1000	-44	-45.800	-42.200	
1000	-49	-50.800	-47.200	
1000	-54	-55.800	-52.200	
1000	-59	-60.800	-57.200	
1000	-64	-65.800	-62.200	
1000	-69	-70.800	-67.200	
1000	-74	-75.800	-72.200	
1000	-79	-80.800	-77.200	
1000	-84	-85.800	-82.200	
1000	-89	-90.800	-87.200	
1000	-94	-95.800	-92.200	
1000	-99	-100.800	-97.200	
1000	-104	-105.800	-102.200	
1000	-109	-110.800	-107.200	
1000	-114	-115.800	-112.200	
1000	-119	-120.800	-117.200	
1000	-124	-125.800	-122.200	

## RF Gen Harmonics Spectral Purity Performance Test 11

**Table 102 RF Gen Harmonics at +1 dBm Table**

Level (dBm)	RF (MHz)	Harmonic Number	Harmonic Limits (dBc)	
			Upper	Actual
+1	1	2nd	-30.000	
+1	1	3rd	-30.000	
+1	2	2nd	-30.000	
+1	2	3rd	-30.000	
+1	5	2nd	-30.000	
+1	5	3rd	-30.000	
+1	10	2nd	-30.000	
+1	10	3rd	-30.000	
+1	20	2nd	-30.000	
+1	20	3rd	-30.000	
+1	50	2nd	-30.000	
+1	50	3rd	-30.000	
+1	100	2nd	-30.000	
+1	100	3rd	-30.000	
+1	200	2nd	-30.000	
+1	200	3rd	-30.000	
+1	300	2nd	-30.000	
+1	300	3rd	-30.000	
+1	400	2nd	-30.000	
+1	400	3rd	-30.000	

Table 102 RF Gen Harmonics at +1 dBm Table (Continued)

Level (dBm)	RF (MHz)	Harmonic Number	Harmonic Limits (dBc)	
			Upper	Actual
+1	500	2nd	-30.000	
+1	500	3rd	-30.000	
+1	600	2nd	-30.000	
+1	600	3rd	-30.000	
+1	700	2nd	-30.000	
+1	700	3rd	-30.000	
+1	800	2nd	-30.000	
+1	800	3rd	-30.000	
+1	900	2nd	-30.000	
+1	900	3rd	-30.000	
+1	1000	2nd	-30.000	
+1	1000	3rd	-30.000	

Table 103 RF Gen Harmonics at -4 dBm Table

Level (dBm)	RF Freq (MHz)	Frequency (MHz)	Harmonic Limits (dBc)	
			Upper	Actual
-4	1	2nd	-30.000	
-4	1	3rd	-30.000	
-4	2	2nd	-30.000	
-4	2	3rd	-30.000	
-4	5	2nd	-30.000	
-4	5	3rd	-30.000	
-4	10	2nd	-30.000	
-4	10	3rd	-30.000	

**Table 103 RF Gen Harmonics at -4 dBm Table**

Level (dBm)	RF Freq (MHz)	Frequency (MHz)	Harmonic Limits (dBc)	
			Upper	Actual
-4	20	2nd	-30.000	
-4	20	3rd	-30.000	
-4	50	2nd	-30.000	
-4	50	3rd	-30.000	
-4	100	2nd	-30.000	
-4	100	3rd	-30.000	
-4	200	2nd	-30.000	
-4	200	3rd	-30.000	
-4	300	2nd	-30.000	
-4	300	3rd	-30.000	
-4	400	2nd	-30.000	
-4	400	3rd	-30.000	
-4	500	2nd	-30.000	
-4	500	3rd	-30.000	
-4	600	2nd	-30.000	
-4	600	3rd	-30.000	
-4	700	2nd	-30.000	
-4	700	3rd	-30.000	
-4	800	2nd	-30.000	
-4	800	3rd	-30.000	
-4	900	2nd	-30.000	
-4	900	3rd	-30.000	
-4	1000	2nd	-30.000	
-4	1000	3rd	-30.000	

**Table 104** RF Gen Half-Harmonics at +1 dBm Table

Level (dBm)	RF (MHz)	Half Frequency (MHz)	Half-Harmonic Limits (dBc)	
			Upper	Actual
+1	501	250.5	-60.000	
+1	850	425	-60.000	
+1	1000	500	-60.000	

**Table 105** RF Gen Half-Harmonics at -4 dBm Table

Level (dBm)	RF (MHz)	Half Frequency (MHz)	Half-Harmonic Limits (dBc)	
			Upper	Actual
-4	501	250.5	-60.000	
-4	850	425	-60.000	
-4	1000	500	-60.000	



## RF Gen Spurious Spectral Purity Performance Test 12

**Table 106 RF Gen Spurious Signal at +1 dBm Table**

Spur Source	RF (MHz)	Spur Freq (MHz)	Spurious Signal at +1 dBm Limits (dBc)	
			Upper	Actual
3/2 Mixer	242	274	-60.000	
3/2 Mixer	247	259	-60.000	

**Table 107 RF Gen Spurious Signal at -4 dBm Table**

Spur Source	RF (MHz)	Spur Freq (MHz)	Spurious Signal at -4 dBm Limits (dBc)	
			Upper	Actual
Supply	100	100.03	-60.000	
Supply	400	400.03	-60.000	
Supply	501	501.03	-60.000	
Supply	1000	999.97	-60.000	
Supply	100	.03	-60.000	
RF Feedthru	1	999	-60.000	
LO Feedthru	1	1000	-60.000	
RF Feedthru	11	989	-60.000	
RF Feedthru	21	979	-60.000	
RF Feedthru	41	959	-60.000	
RF Feedthru	61	939	-60.000	
RF Feedthru	81	919	-60.000	
RF Feedthru	91	909	-60.000	

**Table 107 RF Gen Spurious Signal at -4 dBm Table (Continued)**

Spur Source	RF (MHz)	Spur Freq (MHz)	Spurious Signal at -4 dBm Limits (dBc)	
			Upper	Actual
RF Feedthru	101	899	-60.000	
RF Feedthru	111	889	-60.000	
RF Feedthru	121	879	-60.000	
3/2 Mixer	242	274	-60.000	
3/2 Mixer	247	259	-60.000	
4/3 Mixer	242	32	-60.000	
4/3 Mixer	247	12	-60.000	
5/4 Mixer	211	55	-60.000	
5/4 Mixer	217	85	-60.000	
5/4 Mixer	221	105	-60.000	
5/4 Mixer	227	135	-60.000	
5/4 Mixer	231	155	-60.000	
5/4 Mixer	237	185	-60.000	
Ref 10 MHz	165	175	-60.000	
Ref 200 kHz	150	150.2	-60.000	
Ref 200 kHz	150	149.8	-60.000	
Ref 200 kHz	150	150.4	-60.000	
Ref 200 kHz	150	149.6	-60.000	
Ref 200 kHz	150	150.6	-60.000	
Reference	150	149.4	-60.000	

## AF Gen AC Level Accuracy Performance Test 13

**Table 108 AF Gen AC Level Accuracy Table**

AF Gen	Frequency (Hz)	Level (mV)	Measured AC Level Accuracy Limits (mV)		
			Lower	Upper	Actual
1	25000	4000	3885.000	4115.000	
1	25000	700	682.500	717.500	
1	25000	75	70.000	80.000	
1	10000	4000	3885.000	4115.000	
1	10000	700	682.500	717.500	
1	10000	75	70.000	80.000	
1	1000	4000	3885.000	4115.000	
1	1000	700	682.500	717.500	
1	1000	75	70.000	80.000	
1	100	4000	3885.000	4115.000	
1	100	700	682.500	717.500	
1	100	75	70.000	80.000	
2	25000	4000	3885.000	4115.000	
2	25000	700	682.500	717.500	
2	25000	75	70.000	80.000	
2	10000	4000	3885.000	4115.000	
2	10000	700	682.500	717.500	
2	10000	75	70.000	80.000	
2	1000	4000	3885.000	4115.000	
2	1000	700	682.500	717.500	

**Table 108** AF Gen AC Level Accuracy Table (Continued)

AF Gen	Frequency (Hz)	Level (mV)	Measured AC Level Accuracy Limits (mV)		
			Lower	Upper	Actual
2	1000	75	70.000	80.000	
2	100	4000	3885.000	4115.000	
2	100	700	682.500	717.500	
2	100	75	70.000	80.000	

---

## AF Gen DC Level Accuracy Performance Test 14

**Table 109** AF Gen DC Level Accuracy Table

AFGen	Level (mV)	Measured DC Level Accuracy Limits (mV)		
		Lower	Upper	Actual
1	4000	3820.000	4180.000	
1	1000	925.000	1075.000	
2	4000	3820.000	4180.000	
2	1000	925.000	1075.000	

## AF Gen Residual Distortion Performance Test 15

Table 110 AF Gen Residual Distortion Table

AF Gen	Frequency (Hz)	Level (mV)	Measured Residual Distortion (%)		
			Lower	Upper	Actual
1	25000	4000	0.000	.125	
1	25000	2000	0.000	.125	
1	25000	200	0.000	.125	
1	10000	4000	0.000	.125	
1	10000	2000	0.000	.125	
1	10000	200	0.000	.125	
1	1000	4000	0.000	.125	
1	1000	2000	0.000	.125	
1	1000	200	0.000	.125	
1	100	4000	0.000	.125	
1	100	2000	0.000	.125	
1	100	200	0.000	.125	
2	25000	4000	0.000	.125	
2	25000	2000	0.000	.125	
2	25000	200	0.000	.125	
2	10000	4000	0.000	.125	
2	10000	2000	0.000	.125	
2	10000	200	0.000	.125	
2	1000	4000	0.000	.125	
2	1000	2000	0.000	.125	

**Table 110 AF Gen Residual Distortion Table (Continued)**

AF Gen	Frequency (Hz)	Level (mV)	Measured Residual Distortion (%)		
			Lower	Upper	Actual
2	1000	200	0.000	.125	
2	100	4000	0.000	.125	
2	100	2000	0.000	.125	
2	100	200	0.000	.125	

## AF Gen Frequency Accuracy Performance Test 16

**Table 111 AF Gen Frequency Accuracy Table**

AFGen	Frequency (Hz)	Measured Frequency (Hz)		
		Lower	Upper	Actual
1	25000	24993.750	25006.250	
1	10000	9997.500	10002.500	
1	5000	4998.750	5001.250	
1	2000	1999.500	2000.500	
1	1000	999.750	1000.250	
1	500	499.875	500.125	
1	200	199.950	200.050	
1	100	99.975	100.025	
1	50	49.988	50.012	
1	20	19.995	20.005	
2	25000	24993.750	25006.250	
2	10000	9997.500	10002.500	
2	5000	4998.750	5001.250	
2	2000	1999.500	2000.500	
2	1000	999.750	1000.250	
2	500	499.875	500.125	
2	200	199.950	200.050	
2	100	99.975	100.025	
2	50	49.988	50.012	
2	20	19.995	20.005	



**AF Analyzer AC Voltage Accuracy  
 Performance Test 17**

**Table 112 AF Analyzer AC Voltage Accuracy Table**

Frequency (Hz)	Level (mV)	AC Voltage Accuracy Limits (mV)		
		Lower	Upper	Actual
15000	5000	4849.850	5150.150	
2000	5000	4849.850	5150.150	
200	5000	4849.850	5150.150	
20	5000	4849.850	5150.150	
15000	500	484.850	515.150	
2000	500	484.850	515.150	
200	500	484.850	515.150	
20	500	484.850	515.150	
15000	50	48.350	51.650	
2000	50	48.350	51.650	
200	50	48.350	51.650	
20	50	48.350	51.650	

---

## AF Analyzer Residual Noise Performance Test 18

**Table 113**      **AF Analyzer Residual Noise Table**

Residual Noise ( $\mu\text{V}$ )	
Upper	Actual
150	

**AF Analyzer Distortion, SINAD and SNR Accuracy Performance Test 19**

**Table 114 AF Analyzer Distortion and SINAD Accuracy**

Harmonic Frequency (kHz)	Harmonic Level(V)	Measurement Type	Distortion (%) and SINAD (dB) Accuracy Limits		
			Lower	Upper	Actual
2	.1	Distortion	8.856	11.144	
2	.1	SINAD	19.043	21.043	
3	.1	Distortion	8.856	11.144	
3	.1	SINAD	19.043	21.043	
2	.01	Distortion	.890	1.120	
2	.01	SINAD	39.000	41.000	
3	.01	Distortion	.890	1.120	
3	.01	SINAD	39.000	41.000	
2	.005	Distortion	.445	.560	
2	.005	SINAD	45.021	47.021	
3	.005	Distortion	.445	.560	
3	.005	SINAD	45.021	47.021	

**Table 115 SNR (Signal to Noise Ratio)**

Harmonic Frequency (kHz)	Harmonic Level(V)	Measurement Type	SNR dB Accuracy Limits		
			Lower	Upper	Actual
2	.1	SNR	19.000	21.000	
2	.01	SNR	39.000	41.000	

---

## AF Analyzer DC Level Accuracy Performance Test 20

**Table 116**      **AF Analyzer DC Voltage Accuracy**

Level ( $\mu\text{V}$ )	DC Voltage Limits ( $\mu\text{V}$ )		
	Lower	Upper	Actual
5000	4905.000	5095.000	
500	450.000	550.000	

---

## AF Analyzer Frequency Accuracy to 100 kHz Performance Test 21

**Table 117** AF Analyzer Frequency Accuracy to 100 kHz

Frequency (Hz)	HP 8902A Counter Limits (Hz)		
	Lower	Upper	Actual
20	19.986	20.014	
100	99.970	100.030	
1000	999.790	1000.210	
10000	9997.90	1002.10	
100000	99979	100021	

---

## AF Analyzer Frequency Accuracy at 400 kHz Performance Test 22

**Table 118**                      **AF Analyzer Freq Acc at 400 kHz Table**

<b>Frequency Accuracy at 400 kHz (kHz)</b>		
<b>Lower</b>	<b>Upper</b>	<b>Actual</b>
399.920	400.080	

---

## Oscilloscope Performance Test 23

**Table 119**                      **Oscilloscope Amplitude Accuracy Table**

Frequency (kHz)	Level (V)	Amplitude Limits (V)		
		Lower	Upper	Actual
1	5	6.765	7.377	
10	5	6.765	7.377	
50	5	5.000	10.000	

---

## RF Analyzer Level Accuracy Performance Test 24

**Table 120**      **RF Analyzer Level Accuracy Table**

Power	Level Accuracy Limits (mW)		
	Lower	Upper	Actual
500 mW	474	526	
200 mW	189	211	



## RF Analyzer FM Accuracy Performance Test 28

**Table 121** RF Analyzer FM Accuracy Table

RF (MHz)	Deviation (kHz)	Rate (Hz)	FM Accuracy Limits (kHz)		
			Lower	Upper	Actual
12.5	1	50	.960	1.040	
12.5	1	1000	.960	1.040	
12.5	1	25000	.960	1.040	
12.5	10	50	9.600	10.400	
12.5	10	1000	9.600	10.400	
12.5	10	25000	9.600	10.400	
400	10	50	9.600	10.400	
400	10	1000	9.600	10.400	
400	10	25000	9.600	10.400	
400	17	50	16.320	17.680	
400	17	1000	16.320	17.680	
400	17	25000	16.320	17.680	

---

## RF Analyzer FM Distortion Performance Test 29

**Table 122**                      **RF Analyzer FM Distortion Table**

Deviation (kHz)	FM Distortion Limits (%)	
	Upper	Actual
5	1.000	
25	1.000	
75	1.000	

---

## RF Analyzer FM Bandwidth Performance Test 30

**Table 123**      **RF Analyzer FM Bandwidth Table**

<b>FM Bandwidth (dB)</b>	
<b>Upper</b>	<b>Actual</b>
3.0	

---

## RF Analyzer Residual FM Performance Test 31

**Table 124**      **RF Analyzer Residual FM Table**

<b>Residual FM (Hz)</b>	
<b>Upper</b>	<b>Actual</b>
10	

## RF Analyzer SSB Demodulation Performance Test 32

**Table 125 SSB Distortion Table**

RF Generator Frequency (MHz)	RF Generator Amplitude (dBm)	RF Analyzer Frequency (MHz)	Measured Distortion (%)	
			Upper Limit	Actual
122	-19	122.001	3	
122	-33	122.001	3	
620	-19	620.001	3	
620	-33	620.001	3	
900	-19	900.001	3	
900	-33	900.001	3	

**Table 126 SSB Flatness Table**

RF Analyzer Frequency (MHz)	Audio Analyzer Reading (dBv)
501.001	
501.010	
501.050	
501.070	
Upper Limits (dB)	
Highest Lowest Reading (dB)	
3	

---

## Spectrum Analyzer Image Rejection Performance Test 33

**Table 127**            **Image Rejection Table**

Signal Generator Frequency (MHz) (image)	UUT Spectrum Analyzer Center Frequency (MHz) (signal)	Measure Image Response (dB)	
		Upper Limit	Actual
613.6	385.0	-50	
873.6	645.0	-50	
883.6	655.0	-50	
1023.6	795.0	-50	
1000.0	771.4	-50	
576.4	805.0	-50	
771.4	1000.0	-50	
319.02	300.0	-50	

**Table 128 Residual Response Analyzer**

UUT Spectrum Analyzer CenterFrequency (MHz)	Measured Residual Response (dBm)	
	Upper Limit	Actual
5.534	-70	
10.0	-70	
20.0	-70	
21.4	-70	
107.126	-70	
164.28	-70	
257.139	-70	
271.4	-70	
347.607	-70	
500.0	-70	







---

**Specifications**

Specifications describe the test set's warranted performance and are valid over the entire operating/environmental range unless otherwise noted.

Specifications for each test set (HP 8920A, 8920B, 8921A) are listed separately.

*Supplemental Characteristics* are intended to provide additional information useful in applying the instrument by giving typical, but non-warranted performance parameters. These characteristics are shown in *italics* and are sometimes labeled "typical", "usable to", or "nominal".

---

**HP 8920A**

---

## Signal Generator Specifications

### RF Frequency

**Range:** 250 kHz to 1 GHz  
**Accuracy and Stability:** Same as reference oscillator  $\pm 0.015$  Hz  
**Switching Speed:** <150 ms to within 100 Hz of carrier frequency  
**Resolution:** 1 Hz

### Output

#### RF IN/OUT Connector:

##### Standard:

Level Range:  $-137$  to  $-19$  dBm into  $50 \Omega$

Level Accuracy:

$\pm 1.8$  dB (level  $\geq -127$  dBm) If RF analyzer is also connected add  
 $\pm 0.1$  dB (typical  $\pm 1.0$  dB for all levels)

Reverse Power:

60 W continuous  
100 W for 10 seconds/minute

##### Option 007:

Level Range:  $-137$  to  $-5$  dBm into  $50 \Omega$

Reverse Power:

2.4 W continuous  
4.0 W for 10 seconds/minute

##### Option 008:

Level Range:  $-137$  to  $-9$  dBm into  $50 \Omega$

Reverse Power:

6.0 W continuous  
10 W for 10 seconds/minute

#### DUPLEX OUT Connector:

Level Range:  $-127$  to  $+7$  dBm into  $50 \Omega$

Level Accuracy:  $\pm 1.5$  dB (typical  $\pm 1.0$  dB for all levels)

Reverse Power: 200 mW maximum

**SWR:**

RF IN/OUT: <1.5:1  
 DUPLEX OUT: <2.0:1 (level <-4 dBm)

*Resolution: 0.1 dB*

**Spectral Purity**

**Spurious Signals:**

For  $\leq 1$  dBm output level at DUPLEX OUT or  $\leq -25$  dBm output level at RF IN/OUT:

Harmonics: <-30 dBc

Non-Harmonic Spurious: <-60 dBc (at >5 kHz offset from carrier)

**Residual FM (rms, CCITT):**

Frequency Range	HP 8920A Standard	HP 8920A Opt. 050 or HP8920D
$250 \text{ kHz} \leq f_c < 249 \text{ MHz}$	< 20 Hz	< 7 Hz
$249 \text{ MHz} \leq f_c < 501 \text{ MHz}$	< 10 Hz	< 4 Hz
$501 \text{ MHz} \leq f_c \leq 1000 \text{ MHz}$	< 20 Hz	< 7 Hz

*SSB Phase Noise:*

Offset (1 GHz carrier)	HP 8920A Standard	HP 8920A Opt.050 or HP 8920D
>20 kHz	<-110 dBc/Hz	<-116 dBc/Hz

## FM

### FM Deviation:

Rates >25 Hz

100 kHz: for  $f_c$  from 0.25 to < 249 MHz

50 kHz: for  $f_c$  from 249 to < 501 MHz

100 kHz: for  $f_c$  from 501 to 1000 MHz

FM not specified for ( $f_c$  minus FM dev.) <250 kHz

### FM Rate:

1 kHz reference:

Internal: DC to 25 kHz (1 dB BW)

External, AC Coupled: 20 Hz to 75 kHz (*typical 3 dB BW*)

External, DC Coupled: dc to 75 kHz (*typical 3 dB BW*)

### FM Accuracy:

≤10 kHz dev, 1 kHz rate:

±7.5% of setting ±50 Hz

±3.5% of setting ±50 Hz (with HP 8920A Option 050 or HP 8920D)

>10 kHz dev, 1 kHz rate:

±7.5% of setting ±500 Hz

±3.5% of setting ±500 Hz (with HP 8920A Option 050 or HP 8920D)

### FM Distortion:

THD + Noise, 0.3 to 3 kHz BW:

<1.0% at >4 kHz deviation and 1 kHz rate

<0.5% at >4 kHz deviation and 1 kHz rate (HP 8920A Option 050 or HP 8920D)

### Center Frequency Accuracy in DC FM Mode:

External source impedance <1 kΩ:

±500 Hz (after DCFM zero) (*typical ±50 Hz*)

*Ext. Mod. Input Impedance: 600 Ω nominal*

*Resolution:*

*50 Hz for <10 kHz deviation*

*500 Hz for ≥10 kHz deviation*

## AM

**Frequency Range:** 1.5 to 1000 MHz (*usable to 250 kHz*)

**AM Depth:**

For RF IN/OUT levels  $\leq -25$  dBm or DUPLEX OUT levels  $\leq +1$  dBm:

0 to 90% (*usable to 99%*)

0 to 70% (*usable to 99%*) (HP 8920A Option 050 or HP 8920D)

**AM Rate:** 20 Hz to 25 kHz (3 dB bandwidth)

**AM Accuracy:**

$\leq 10\%$  AM:  $\pm 5\%$  of setting  $\pm 1.0\%$  AM at 1 kHz rate

$> 10\%$  AM:  $\pm 5\%$  of setting  $\pm 1.5\%$  AM at 1 kHz rate

**AM Distortion:**

THD+Noise, 0.3 to 3 kHz BW:

$< 2\%$  at 1 kHz rate,  $< 30\%$  AM

$< 3\%$  at 1 kHz rate,  $\leq 90\%$  AM

*Ext. Mod. Input Impedance: 600  $\Omega$  nominal*

*Residual AM:  $< 0.1\%$  in a 50 Hz to 15 kHz BW*

*Resolution:*

*0.05% AM for 0 to 10% AM*

*0.5% AM for 10 to 100% AM*

## TDMA Signal Generator

(HP 8920D or 8920A with Option 050 and HP 83201A)

**Frequency Range:** 824 MHz to 894 MHz

**Output Level Range:**

RF In/Out:  $-22$  dBm to  $-127$  dBm

Duplex Out:  $+4$  dBm to  $-127$  dBm

**Residual Error Vector Magnitude:**  $< 3.0\%$

**Residual Phase Error:**  $< 2.6^\circ$

**Residual Magnitude Error:**  $< 2.6\%$

**IQ Origin Offset:**  $< -30$  dBc within  $15^\circ\text{C}$  of last calibration

**Frequency Error:**  $\pm 4$  Hz plus reference



---

## Audio Source Specifications

(These specifications apply to both internal sources)

### Frequency

**Range:** dc to 25 kHz

**Accuracy:** 0.025% of setting

**Resolution:** 0.1 Hz

### Output Level

**Range:** 0.1 mV to 4 Vrms

**Maximum Output Current:** 20 mA peak

Output Impedance:  $<1\Omega$  (1 kHz)

**Accuracy:**  $\pm 2\%$  of setting plus resolution

**Residual Distortion:** 0.125%; for tones 20 Hz to 25 kHz in an 80 kHz BW (THD plus noise, amplitude  $>200$  mVrms)

**Resolution:**

*Level  $\leq 0.01$  V:  $\pm 50$   $\mu$ V*

*Level  $\leq 0.1$  V:  $\pm 5$  mV*

*Level  $\leq 1$  V:  $\pm 5$  mV*

*Level  $> 1$  V:  $\pm 50$  mV*

*Offset in DC Coupled Mode:  $<50$  mV*

---

## RF Analyzer Specifications

### RF Power Measurement

#### Standard

Frequency Range: 400 kHz to 1 GHz

Measurement Range:

1 mW to 60 W continuous

100 W for 10 seconds/minute (measured at RF IN/OUT connector)

Accuracy:  $\pm 10\%$  of reading  $\pm 0.01$  mW  $\pm 1$  count

SWR: <1.5:1

*Resolution:*

*Power < 10 W: 1 mW*

*Power  $\geq 10$  W: 10 mW*

#### Option 007

Frequency Range: 400 kHz to 1 GHz

Measurement Range:

40  $\mu$ W to 2.4 W continuous

4.0 W for 10 seconds/minute

Accuracy:  $\pm 10\%$  of reading  $\pm 40$   $\mu$ W  $\pm 1$  count

SWR: < 1.5:1

*Resolution:*

*P < 400 mW: 40  $\mu$ W*

*P  $\geq 400$  mW: 400  $\mu$ W*

#### Option 008

Frequency Range: 400 kHz to 1 GHz

Measurement Range:

0.1 mW to 6 W continuous

10 W for 10 seconds/minute

Accuracy:  $\pm 10\%$  of reading  $\pm 0.001$  mW  $\pm 1$  count

SWR: < 1.5:1

*Resolution:*

*P < 1 W: 0.1 mW*

*P  $\geq 1$  W: 1.0 mW*

## RF Frequency Measurement

**Measurement Range:** 400 kHz to 1 GHz

**Level Range:**

RF IN/OUT:

**Standard:**

1 mW to 60 W continuous  
100 W for 10 seconds/minute

**Option 007:**

40  $\mu$ W to 2.4 W continuous  
4.0 W for 10 seconds/minute

**Option 008:**

0.1 mW to 6 W continuous  
10 W for 10 seconds/minute

ANT IN: -36 dBm to +20 dBm

**Accuracy:**  $\pm 1$  Hz plus timebase accuracy

*Frequency Resolution: 1 Hz*

## FM Measurement

**Frequency Range:** 5 MHz to 1 GHz (*usable to 400 kHz*)

**Deviation:** 20 Hz to 75 kHz

**Sensitivity:** 2  $\mu$ V (15 kHz IF BW, High Sensitivity Mode, 0.3 to 3 kHz BW) (*typical*  
*<1  $\mu$ V (12 dB SINAD,  $f_c \geq 10$  MHz)*)

**Accuracy:**  $\pm 4\%$  of reading plus residual FM and noise contribution (20 Hz to 25 kHz  
rates, deviation  $\leq 25$  kHz)

**Bandwidth:** 2 Hz to 70 kHz (3 dB) DCFM measurements also available

**THD+Noise:** <1% for  $\geq 5$  kHz deviation and 1 kHz rate in a 0.3 to 3 kHz BW

**Input Level Range for Specified Accuracy:**

**Standard:**

-18 to +50 dBm at RF IN/OUT (0.016 mW to 100 W)

-50 to +14 dBm at ANT IN

**Option 007:**

-32 to 36 dBm at RF IN/OUT (0.63  $\mu$ W to 4.0 W)

**Option 008:**

-28 to 40 dBm at RF IN/OUT (1.6  $\mu$ W to 10 W)

**Residual FM and Noise:**

0.3 to 3 kHz, rms:

< 20 Hz

< 7 Hz (HP 8920A Option 050 or HP 8920D)

*Resolution:*

*$f < 10$  kHz: 1 Hz*

*$f \geq 10$  kHz: 10 Hz*

## AM Measurement

**Frequency Range:** 10 MHz to 1 GHz (*usable to 400 kHz*)

**Depth:** 0 to 95%

**Accuracy:**  $\pm 5\%$  of reading  $\pm 1.5\%$  AM (50 Hz to 10 kHz rates, modulation  $\leq 80\%$ )

**THD+Noise:**  $< 2\%$  rms for modulation  $\leq 80\%$  AM (1 kHz rate in a 0.3 to 3 kHz BW)

**Input Level for Specified Accuracy (levels in PEP):**

**Standard:**

–18 to +50 dBm at RF IN/OUT (0.016 mW to 100 W)

–50 to +14 dBm at ANT IN

**Option 007:**

–32 to 36 dBm at RF IN/OUT (0.63  $\mu$ W to 4.0 W)

**Option 008:**

–28 to 40 dBm at RF IN/OUT (1.6  $\mu$ W to 10 W)

**Residual AM:**  $< 0.2\%$  in a 0.3 to 3 kHz BW

*Resolution: 0.1%*

## SSB Measurement

**Frequency Range:** 400 kHz to 1 GHz

**Bandwidth (3 dB):** 20 Hz to 70 kHz

**Distortion and Noise:**  $< 3\%$  at 1 kHz rate in a 0.3 to 3 kHz BW

## TDMA Analyzer

(HP 8920D or 8920A with Option 050 and HP 83201A)

**Frequency Range:** 824 MHz to 894 MHz

**Input Level Range:**

RF In/Out: 1 mW to 60W (0 to +47.8 dBm)

Antenna: –36 to +17 dBm

**Input Frequency Setting Error:** 1 kHz

**RX DSP Level Setting Range:** –23 to 0 dB full scale

**Residual Error Vector Magnitude:**  $< 1.3\%$

**Error Vector Magnitude Measurement Accuracy:**  $\pm 0.4\%$  plus 2% of reading

**Residual Phase Error:**  $< 1.0^\circ$

**Residual Magnitude Error:**  $< 0.9\%$

**I/Q Origin Offset Accuracy:**  $\pm 0.5$  dB for values to –40 dBc

**Frequency Error Accuracy:**  $\pm 2.5$  Hz plus timebase accuracy

---

## AF Analyzer Specifications

### Frequency Measurement

**Measurement Range:** 20 Hz to 400 kHz  
**Accuracy:**  $\pm 0.02\%$  plus resolution plus timebase accuracy  
**External Input:** 20 mV to 30 Vrms  
**Resolution:**  
*f < 10 kHz: 0.01 Hz*  
*f < 100 kHz: 0.1 Hz*  
*f  $\geq$  100 kHz: 1 Hz*

### AC Voltage Measurement

**Measurement Range:** 0 to 30 Vrms  
**Accuracy:**  $\pm 3\%$  of reading (20 Hz to 15 kHz, inputs  $\geq 1$  mV)  
**Residual Noise:** 150  $\mu$ V (15 kHz BW)  
**3 dB Bandwidth:** Typically 2 Hz to 100 kHz  
**Nominal Input Impedance:** switchable between 1 M  $\Omega$  in parallel with 95 pF, and 600  $\Omega$  floating  
**Resolution:**  
*4 digits for inputs  $\geq 100$  mV*  
*3 digits for inputs < 100 mV*

### DC Voltage Measurement

**Voltage Range:** 100 mV to 42 V  
**Accuracy:**  $\pm 1.0\%$  of reading plus DC offset  
**DC Offset:**  $\pm 45$  mV  
**Resolution:** 1 mV

## Distortion Measurement

**Fundamental Frequency:** 1 kHz  $\pm$ 5 Hz

**Optional Frequency Range:** 300 Hz to 10 kHz  $\pm$ 5% (Option 019)

**Input Level Range:** 30 mV to 30 Vrms

**Display Range:** 0.1% to 100%

**Accuracy:**

$\pm$ 1 dB (0.5 to 100% distortion) for tones from 300 to 1500 Hz measured with the 15 kHz LPF

$\pm$ 1.5 dB (1.5 to 100% distortion) for tones from 300 Hz to 10 kHz measured with the >99 kHz LPF

**Residual THD+Noise:**

-60 dBc or 150  $\mu$ V, whichever is greater, for tones from 300 to 1500 Hz measured with the 15 kHz LPF

-57 dBc or 450  $\mu$ V, whichever is greater, for tones from 300 Hz to 10 kHz measured with the >99 kHz LPF

*Resolution: 0.1% Distortion*

## SINAD Measurement

**Fundamental Frequency:** 1 kHz  $\pm$ 5 Hz

**Optional Frequency Range:** 300 Hz to 10 kHz  $\pm$ 5% (Option 019)

**Input Level Range:** 30 mV to 30 Vrms

**Display Range:** 0 to 60 dB

**Accuracy:**

$\pm$ 1 dB (0 to 46 dB SINAD) for tones from 300 to 1500 Hz measured with the 15 kHz LPF

$\pm$ 1.5 dB (0 to 36 dB SINAD) for tones from 300 Hz to 10 kHz measured with the >99 kHz LPF

**Residual THD+Noise:**

-60 dB or 150  $\mu$ V, whichever is greater, for tones from 300 to 1500 Hz measured with the 15 kHz LPF

-57 dBc or 450  $\mu$ V, whichever is greater, for tones from 300 Hz to 10 kHz measured with the >99 kHz LPF

*Resolution: 0.01 dB*

## Audio Filters

### Standard

- < 20 Hz HPF
- 50 Hz HPF
- 300 Hz HPF
- 300 Hz LPF
- 3 kHz LPF
- 15 kHz LPF
- > 99 kHz LPF
- 750  $\mu$  de-emphasis
- 1 kHz notch

### Optional

- C-Message
- CCITT
- 400 Hz HPF
- 4 kHz BPF
- 6 kHz BPF
- 300 Hz to 10 kHz (variable, option 019)

### Audio Detectors:

RMS, RMS\*SQRT2, Pk+, Pk-, Pk+hold, Pk-hold, Pk $\pm$ /2, Pk $\pm$ /2 hold, Pk $\pm$ max, Pk $\pm$ maxhold

---

## Oscilloscope Specifications

**Frequency Range:** 2 Hz to 50 kHz (3 dB BW)

**Scale/Division:** 10 mV to 10 V

**Amplitude Accuracy:**  $\pm 1.5\%$  of reading  $\pm 0.1$  division. (20 Hz to 10 kHz)

**Time/Division:** 1  $\mu$ sec to 200 msec

*3 dB Bandwidth: Typically >100 kHz*

*Internal DC Offset:  $\leq 0.1$  div ( $\geq 50$   $\mu$ V/div sensitivity)*



---

## Spectrum Analyzer Specifications (Option 102)

### Frequency

**Frequency Range:** 400 kHz to 1 GHz

**Frequency Span/Resolution Bandwidth (coupled):**

Span	Bandwidth
< 50 kHz	300 Hz
< 200 kHz	1 kHz
< 1.5 MHz	3 kHz
< 18 MHz	30 kHz
≥ 18 MHz	300 kHz
Full span	

**Display:** Log with 10 dB/div, 2 dB/div, or 1 dB/div

**Display Range:** 80 dB

**Reference Level Range:** +50 to -50 dBm

**Residual Responses:** <-70 dBm (no input signal, 0 dB attenuation)

**Image Rejection:** >50 dB

*Non-harmonic Spurious Responses:* >70 dB (for input signals ≤ -30 dBm)

*Level Accuracy:* ±2.5 dB

*Displayed Average Noise Level:* <-114 dBm for ≤ 50 kHz spans

*Log Scale Linearity:* ±2 dB (for input levels ≤ -30 dBm or 60 dB range)

## Tracking Generator

(Included with Option 102)

**Frequency Range:** 400 kHz to 1 GHz

**Frequency Offset:** Frequency span endpoints  $\pm$  frequency offset cannot be  $< 400$  kHz or  $\geq 1$  GHz

**Output Level Range:** Same as signal generator

**Sweep Modes:** Normal and inverted

## Adjacent Channel Power

(Included with Option 102)

### Relative Measurements:

Level Range:

Antenna In:  $-40$  dBm to  $+20$  dBm

RF/Input:  $0.16$  mW ( $-8$  dBm) to  $60$  W ( $47.8$  dBm) continuous; or up to  $100$  mW ( $50$  dBm) for 10 seconds/minute

*Dynamic Range: Typical values for channel offsets*

Channel Offset	Resolution Bandwidth	Dynamic Range
12.5 kHz	8.5 kHz	$-65$ dBc
20 kHz	14 kHz	$-68$ dBc
25 kHz	16 kHz	$-68$ dBc
30 kHz	16 kHz	$-68$ dBc
60 kHz	30 kHz	$-65$ dBc

Relative Accuracy:  $\pm 2.0$  dB

**Absolute Level Measurements:**

**Level:** Results of absolute power in Watts or dBm are met by adding the ACP ratio from the spectrum analyzer to the carrier power from the input section RF power detector.

**Level Range:**

Antenna: Not applicable

RF/Input: 1 mW (0 dBm) to 60 W (47.8 dBm) continuous; or up to 100 W (50 dBm) for 10 seconds/minute

*Dynamic Range: Typical values for channel offsets*

Channel Offset	Resolution Bandwidth	Dynamic Range
12.5 kHz	8.5 kHz	- 65 dBc
20 kHz	14 kHz	- 68 dBc
25 kHz	16 kHz	- 68 dBc
30 kHz	16 kHz	- 68 dBc
60 kHz	30 kHz	- 65 dBc

**Absolute Accuracy:** RF power measurement accuracy for absolute in-channel power: (for inputs > 200 mW):  $\pm 10\%$  of reading  $\pm 1$  mW (in dB) plus ACP relative accuracy of  $\pm 2.0$  dB

---

## Signaling (Option 004)

### Capability for generating and analyzing the following formats:

CDCSS, DTMF, 1 TONE, 2 TONE, 5/6 TONE SEQUENTIAL, RPC1, POCSAG, EIA, CCITT, CCIR, ZVEI, DZVEI, GOLAY, EEA, AMPS/EAMPS/NAMPS, TACS/ETACS, JTACS/NTACS, NMT-450, NMT-900, LTR<sup>®1</sup>, EDACS<sup>™</sup>, MPT 1327, and TDMA dual-mode

LTR<sup>®</sup> is a registered trademark of the E. F. Johnson Company; EDACS<sup>™</sup> is a trademark of Erickson/GE.

<sup>1</sup> over 15° to 35°C for analyzing

A General Purpose Function Generator with the following waveforms is included: sine, square, triangle, ramp, dc, Gaussian white noise, uniform white noise.

**Frequency Range and Level:** Same as audio source

---

## DC Current Meter (Option 103)

**Measurement Range:** 0 to 10 A (*usable to 20 A*)

**Accuracy:** The greater of 10% of reading after zeroing or 30 mA (levels > 100 mA)

---

## Remote Programming (Option 103)

**HP-IB:** Hewlett-Packard's implementation of IEEE Standard 488.2

**Functions Implemented:** SH1, AH1, T6, L4, SR1, RL1, LE0, TE0, PP0, DC1, DT1, C4, C11, E2

**RS-232:** Six-wire RJ-11 connector provides two three-wire serial ports for serial data in and out (no hardware handshake capability).

**Baud Rates:** 150, 300, 600, 1200, 2400, 4800, 9600, and 19200 Hz

**Parallel (Centronics) connector:** A standard 25-pin, sub-min D female connector with right-angle adapter is included. NOTE: Retrofittable only for HP 8920A units with serial number prefix of 3501 and greater.

---

## Reference Oscillator Specifications

### TCXO (Standard)

**Temperature:** 1 ppm (0 to +55°C)

**Aging:** < 2 ppm/year

**Warm-up Time:** < 30 seconds to be within  $\pm 2$  ppm of final frequency

### OCXO (Option 001)

**Temperature:** 0.05 ppm (0 to +55°C)

**Aging:** < 0.5 ppm/year (< 1 ppm in first year)

**Warm-up Time:** < 15 minutes to be within  $\pm 0.1$  ppm of final frequency

*Rear Panel BNC connectors:*

*Input Frequency: 1,2,5,10 MHz*

*Input Level<sup>1</sup>: > 0.15 Vrms*

*Output Frequency: 10 MHz*

*Output Level: > 0.5 Vrms*

1. Electrostatic Discharges to the 10 MHz Ref Input port of 0.5 kV or above may cause degradation of performance, requiring operator intervention.

---

## **Save/Recall Registers**

Approximately 928 kilobytes RAM available for non-volatile save/recall of settings. This typically will allow you to save >500 sets of instrument settings, depending on the type of information saved.



---

## General Specifications

**Size:** 7.5 H x 13 W x 19 inches (188 H x 330 W x 456 D mm)

**Weight:** 35 lbs (17.1 kg) fully optioned

**CRT Size:** 7 x 10 cm

**Operating Temperature:** 0 to +55°C

**Storage Temperature:** -55 to +75°C

**Power:**

**AC:** 100 to 240 V, 48 to 440 Hz, *nominally 80 watts*

**DC:** 11 to 28 V, *nominally 120 watts*

*Leakage: At Signal Generator output frequency and level <-40 dBm, typical leakage is <0.5  $\mu$ V induced in a resonant dipole antenna 1 inch from any surface except the rear panel. This corresponds to approximately 0.05  $\mu$ V when measured with a 25-mm, two-turn loop. Spurious leakage levels are typically < 1  $\mu$  V in a resonant dipole antenna.*

---

**HP 8920B**

---

## Signal Generator Specifications

### RF Frequency

**Range:** 250 kHz to 1 GHz

**Accuracy and Stability:** Same as reference oscillator  $\pm 0.015$  Hz

**Switching Speed:**  $m < 150$  ms to within 100 Hz of carrier frequency

**Resolution:** 1 Hz

### Output

#### RF IN/OUT Connector:

##### Standard:

Level Range:  $-137$  to  $-19$  dBm into  $50 \Omega$

Level Accuracy:

$\pm 1.2$  dB (level  $\geq -127$  dBm) If RF analyzer is also connected add  
 $\pm 0.1$  dB (typical  $\pm 1.0$  dB for all levels)

Reverse Power:

60 W continuous

100 W for 10 seconds/minute

##### Option 006:

Level Range:  $-137$  to  $-11$  dBm into  $50 \Omega$

Reverse Power:

10 W continuous

15 W for 10 seconds/minute

##### Option 007:

Level Range:  $-137$  to  $-5$  dBm into  $50 \Omega$

Reverse Power:

2.4 W continuous

4 W for 10 seconds/minute

##### Option H08:

Level Range:  $-137$  to  $-21$  dBm into  $50 \Omega$

Reverse Power: 100 W continuous, 125 W for 10 seconds/minute

**Option 006:**

Level Range:  $-137$  to  $-21$  dBm into  $50\ \Omega$

Reverse Power:  $9.5\ \text{W}$  continuous,  $15.8\ \text{W}$  for 10 seconds/minute

**DUPLEX OUT Connector:**

Level Range:  $-127$  to  $+7$  dBm into  $50\ \Omega$

Level Accuracy:  $\pm 1.0$  dB

Reverse Power:  $200\ \text{mW}$  maximum

**SWR:**

RF IN/OUT:  $< 1.5:1$

DUPLEX OUT:  $< 2.0:1$  (level  $< -4$  dBm)

*Resolution:  $0.1\ \text{dB}$*

## Spectral Purity

### Spurious Signals:

For  $\leq 1$  dBm output level at DUPLEX OUT or  $\leq -25$  dBm output level at RF IN/  
OUT:

Harmonics:  $< -30$  dBc

Non-Harmonic Spurious:  $< -60$  dBc (at  $> 5$  kHz offset from carrier)

### Residual FM (rms, CCITT):

$< 7$  Hz for  $250 \text{ kHz} \leq f_c < 249 \text{ MHz}$

$< 4$  Hz for  $249 \text{ MHz} \leq f_c < 501 \text{ MHz}$

$< 7$  Hz for  $501 \text{ MHz} \leq f_c \leq 1000 \text{ MHz}$

### SSB Phase Noise:

$> 20$  kHz Offset (1 GHz carrier):  $< -116$  dBc/Hz

## FM

### FM Deviation:

Rates >25 Hz

100 kHz: for  $f_c$  from 0.25 to < 249 MHz

50 kHz: for  $f_c$  from 249 to < 501 MHz

100 kHz: for  $f_c$  from 501 to 1000 MHz

FM not specified for ( $f_c$  minus FM dev.) <250 kHz

### FM Rate:

1 kHz reference:

Internal: DC to 25 kHz (1 dB BW)

External, AC Coupled: 20 Hz to 75 kHz (*typical 3 dB BW*)

External, DC Coupled: dc to 75 kHz (*typical 3 dB BW*)

### FM Accuracy:

≤10 kHz dev, 1 kHz rate:

±3.5% of setting ±50 Hz

>10 kHz dev, 1 kHz rate:

±3.5% of setting ±500 Hz

### FM Distortion:

THD + Noise, 0.3 to 3 kHz BW:

<0.5% at >4 kHz deviation and 1 kHz rate

### Center Frequency Accuracy in DC FM Mode:

External source impedance <1 k $\Omega$

±500 Hz (after DCFM zero) (*typical ±50 Hz*)

*Ext. Mod. Input Impedance: 600  $\Omega$  nominal*

*Resolution:*

*50 Hz for <10 kHz deviation*

*500 Hz for ≥10 kHz deviation*

## AM

**Frequency Range:** 1.5 to 1000 MHz (*usable to 250 kHz*)

**AM Depth:**

For RF IN/OUT levels  $\leq -25$  dBm or DUPLEX OUT levels  $\leq +1$  dBm:

0 to 90% (*usable to 99%*)

0 to 70% (*usable to 99%*) (HP 8920B Option 051)

**AM Rate:** 20 Hz to 25 kHz (3 dB bandwidth)

**AM Accuracy:**

$\leq 10\%$  AM:  $\pm 5\%$  of setting  $\pm 1.0\%$  AM at 1 kHz rate

$> 10\%$  AM:  $\pm 5\%$  of setting  $\pm 1.5\%$  AM at 1 kHz rate

**AM Distortion:**

THD+Noise, 0.3 to 3 kHz BW:

$< 2\%$  at 1 kHz rate,  $< 30\%$  AM

$< 3\%$  at 1 kHz rate,  $\leq 90\%$  AM

*Ext. Mod. Input Impedance: 600  $\Omega$  nominal*

*Residual AM:  $< 0.1\%$  in a 50 Hz to 15 kHz BW*

*Resolution:*

*0.05% AM for 0 to 10% AM*

*0.5% AM for 10 to 100% AM*

## TDMA Signal Generator

HP 8920B Option 500 (includes HP 83201B)

**Frequency Range:** 824 MHz to 894 MHz

**Output Level Range:**

RF In/Out:  $-22$  to  $-127$  dBm

Duplex Out:  $+4$  to  $-127$  dBm

**Residual Error Vector Magnitude:**  $\% < 3.0\%$

**Residual Phase Error:**  $< 2.6^\circ$

**Residual Magnitude Error:**  $< 2.6\%$

**IQ Origin Offset:**  $< -30$  dBc within  $15^\circ\text{C}$  of last calibration

**Frequency Error:**  $\pm 4$  Hz plus reference error

---

## Audio Source Specifications

(These specifications apply to both internal sources)

### Frequency

**Range:** dc to 25 kHz  
**Accuracy:** 0.025% of setting  
**Resolution:** 0.1 Hz

### Output Level

**Range:** 0.1 mV to 4 Vrms  
**Maximum Output Current:** 20 mA peak  
**Output Impedance:**  $<1 \Omega$  (1 kHz)  
**Accuracy:**  $\pm 2\%$  of setting plus resolution  
**Residual Distortion:** 0.125%; for tones 20 Hz to 25 kHz in an 80 kHz BW (THD plus noise, amplitude  $>200$  mVrms)  
**Resolution:**  
    Level  $\leq 0.01$  V:  $\pm 50 \mu\text{V}$   
    Level  $\leq 0.1$  V:  $\pm 5$  mV  
    Level  $\leq 1$  V:  $\pm 5$  mV  
    Level  $> 1$  V:  $\pm 50$  mV  
**Offset in DC Coupled Mode:**  $< 50$  mV



---

## RF Analyzer Specifications

### RF Power Measurement<sup>1</sup>

#### Standard

Frequency Range: 400 kHz to 1 GHz

Measurement Range:

1 mW to 60 W continuous

100 W for 10 seconds/minute (measured at RF IN/OUT connector)

Accuracy:  $\pm 5\%$  of reading  $\pm 0.01$  mW  $\pm 1$  count (for temp  $25^\circ\text{C} \pm 10^\circ\text{C}$ )

Accuracy:  $\pm 10\%$  of reading for operating temperature range.

SWR:  $< 1.5:1$

#### Option 006

Frequency Range: 30 MHz to 1 GHz

Measurement Range:

$50\ \mu\text{W}$  to 10 W continuous

15 W for 10 seconds/minute

Accuracy:  $\pm 5\%$  of reading  $\pm 0.5\ \mu\text{W}$  (for temp  $25^\circ\text{C} \pm 10^\circ\text{C}$ )

SWR:  $< 1.5:1$

#### Option 007

Frequency Range: 400 kHz to 1 GHz

Measurement Range:

$40\ \mu\text{W}$  to 2.4 W continuous

4.0 W for 10 seconds/minute

Accuracy:  $\pm 5\%$  of reading  $\pm 0.4\ \mu\text{W} \pm 1$  count (for temp  $25^\circ\text{C} \pm 10^\circ\text{C}$ )

SWR:  $< 1.5:1$

Resolution:

$P < 400\ \text{mW}$ :  $40\ \mu\text{W}$

$P \geq 400\ \text{mW}$ :  $400\ \mu\text{W}$

---

1. To achieve the specified accuracy when measuring power at the RF IN/OUT port, the internal signal generator level must be 60 dB below the measured power or less than -20 dBm at the DUPLEX port.

**Option H08**

Frequency Range: 400 kHz to 1 GHz

Measurement Range:

1.6  $\mu$ W to 100 W continuous

125 W for 10 seconds/minute

Accuracy:  $\pm 5\%$  of reading  $\pm 0.5 \mu$ W (for temp 25° C  $\pm 10^\circ$  C)

**RF Frequency Measurement**

**Measurement Range:** 400 kHz to 1 GHz

**Level Range:**

RF IN/OUT:

**Standard:**

1 mW to 60 W continuous

100 W for 10 seconds/minute

**Option 006:**

50  $\mu$ W to 10 W continuous

15 W for 10 seconds/minute

**Option 007:**

40  $\mu$ W to 2.4 W continuous

4.0 W for 10 seconds/minute

ANT IN: -36 dBm to +20 dBm

**Accuracy:**  $\pm 1$  Hz plus timebase accuracy

*Frequency Resolution: 1 Hz*

## FM Measurement

**Frequency Range:** 5 MHz to 1 GHz (*usable to 400 kHz*)

**Deviation:** 20 Hz to 75 kHz

**Sensitivity:** 2  $\mu\text{V}$  (15 kHz IF BW, High Sensitivity Mode, 0.3 to 3 kHz BW) (*typical*  
*<1  $\mu\text{V}$  (12 dB SINAD,  $f_c \geq 10$  MHz)*)

**Accuracy:**  $\pm 4\%$  of reading plus residual FM and noise contribution (20 Hz to 25 kHz rates, deviation  $\leq 25$  kHz)

**Bandwidth:** 2 Hz to 70 kHz (3 dB) DCFM measurements also available

**THD+Noise:**  $< 1\%$  for  $\geq 5$  kHz deviation and 1 kHz rate in a 0.3 to 3 kHz BW

### Input Level Range for Specified Accuracy:

#### Standard:

-18 to +50 dBm at RF IN/OUT (0.016 mW to 100 W)

-50 to +14 dBm at ANT IN

#### Option 006:

-26 to +42 dBm at RF IN/OUT (2.5  $\mu\text{W}$  to 15.8 W)

#### Option 007:

-32 to 36 dBm at RF IN/OUT (0.63  $\mu\text{W}$  to 4.0 W)

#### Option H08:

-16 to +50 dBm at RF IN/OUT (0.025  $\mu\text{W}$  to 15.8 W)

### Residual FM and Noise:

0.3 to 3 kHz, rms:

$< 7$  Hz

#### Resolution:

$f < 10$  kHz: 1 Hz

$f \geq 10$  kHz: 10 Hz

## AM Measurement

**Frequency Range:** 10 MHz to 1 GHz (*usable to 400 kHz*)

**Depth:** 0 to 95%

**Accuracy:**  $\pm 5\%$  of reading  $\pm 1.5\%$  AM (50 Hz to 10 kHz rates, modulation  $\leq 80\%$ )

**THD+Noise:**  $< 2\%$  rms for modulation  $\leq 80\%$  AM (1 kHz rate in a 0.3 to 3 kHz BW)

**Input Level for Specified Accuracy (levels in PEP):**

**Standard:**

–18 to +50 dBm at RF IN/OUT (0.016 mW to 100 W)

–50 to +14 dBm at ANT IN

**Option 006:**

–26 to +42 dBm at RF IN/OUT (2.5  $\mu$ W to 15.8 W)

**Option 007:**

–32 to 36 dBm at RF IN/OUT (0.63  $\mu$ W to 4.0 W)

**Option H08:**

–16 to +50 dBm at RF IN/OUT (0.025  $\mu$ W to 100 W)

**Residual AM:**  $< 0.2\%$  in a 0.3 to 3 kHz BW

*Resolution: 0.1%*

## SSB Measurement

**Frequency Range:** 400 kHz to 1 GHz

**Bandwidth (3 dB):** 20 Hz to 70 kHz

**Distortion and Noise:**  $< 3\%$  at 1 kHz rate in a 0.3 to 3 kHz BW

## TDMA Analyzer

HP 8920B Option 500 (includes HP 83201B)

**Frequency Range:** 824 MHz to 894 MHz

**Input Level Range:**

RF In/Out: 1 mW to 60W (0 to 47.8 dBm)

Antenna In: –36 to +17 dBm

**Input Frequency Setting Error:** 1 kHz

**RX DSP Level Setting Range:** –23 to 0 dB full scale

**Residual Error Vector Magnitude:**  $< 1.3\%$

**Error Vector Magnitude Measurement Accuracy:**  $\pm 4\%$  plus 2% of reading

**Residual Phase Error:**  $< 1.0^\circ$

**Residual Magnitude Error:**  $< 0.9\%$

**I/Q Origin Offset Accuracy:**  $\pm 0.5$  dB for values to –40 dBc

**Frequency Error Accuracy:**  $\pm 2.5$  Hz plus reference accuracy

---

## AF Analyzer Specifications

### Frequency Measurement

**Measurement Range:** 20 Hz to 400 kHz  
**Accuracy:**  $\pm 0.02\%$  plus resolution plus timebase accuracy  
**External Input:** 20 mV to 30 Vrms  
**Resolution:**  
*f < 10 kHz: 0.01 Hz*  
*f < 100 kHz: 0.1 Hz*  
*f  $\geq$  100 kHz: 1 Hz*

### AC Voltage Measurement

**Measurement Range:** 0 to 30 Vrms  
**Accuracy:**  $\pm 3\%$  of reading (20 Hz to 15 kHz, inputs  $\geq 1$  mV)  
**Residual Noise:** 150  $\mu$ V (15 kHz BW)  
**3 dB Bandwidth:** Typically 2 Hz to 100 kHz  
**Nominal Input Impedance:** switchable between 1 M in parallel with 95 pF, and 600  $\Omega$  floating  
**Resolution:**  
*4 digits for inputs  $\geq 100$  mV*  
*3 digits for inputs < 100 mV*

### DC Voltage Measurement

**Voltage Range:** 100 mV to 42 V  
**Accuracy:**  $\pm 1.0\%$  of reading plus DC offset  
**DC Offset:**  $\pm 45$  mV  
**Resolution:** 1 mV

## Distortion Measurement

**Fundamental Frequency Range:** 300 Hz to 10 kHz  $\pm 5\%$

**Input Level Range:** 30 mV to 30 Vrms

**Display Range:** 0.1% to 100%

**Accuracy:**

$\pm 1$  dB (0.5 to 100% distortion) for tones from 300 to 1500 Hz measured with the 15 kHz LPF

$\pm 1.5$  dB (1.5 to 100% distortion) for tones from 300 Hz to 10 kHz measured with the >99 kHz LPF

**Residual THD+Noise:**

-60 dBc or 150  $\mu$ V, whichever is greater, for tones from 300 to 1500 Hz measured with the 15 kHz LPF

-57 dBc or 450  $\mu$ V, whichever is greater, for tones from 300 Hz to 10 kHz measured with the >99 kHz LPF

*Resolution: 0.1% Distortion*

## SINAD Measurement

**Fundamental Frequency Range:** 300 Hz to 10 kHz  $\pm 5\%$

**Input Level Range:** 30 mV to 30 Vrms

**Display Range:** 0 to 60 dB

**Accuracy:**

$\pm 1$  dB (0 to 46 dB SINAD) for tones from 300 to 1500 Hz measured with the 15 kHz LPF

$\pm 1.5$  dB (0 to 36 dB SINAD) for tones from 300 Hz to 10 kHz measured with the >99 kHz LPF

**Residual THD+Noise:**

-60 dB or 150  $\mu$ V, whichever is greater, for tones from 300 to 1500 Hz measured with the 15 kHz LPF

-57 dBc or 450  $\mu$ V, whichever is greater, for tones from 300 Hz to 10 kHz measured with the >99 kHz LPF

*Resolution: 0.01 dB*

## Audio Filters

### Standard

- < 20 Hz HPF
- 50 Hz HPF
- 300 Hz HPF
- 300 Hz LPF
- 3 kHz LPF
- 15 kHz LPF
- > 99 kHz LPF
- 750 $\mu$ s de-emphasis
- 300 Hz to 10 kHz (Variable Frequency Notch filter)

### Optional

- C-Message
- CCITT
- 400 Hz HPF
- 4 kHz BPF
- 6 kHz BPF

### Audio Detectors:

RMS, RMS\*SQRT2, Pk+, Pk-, Pk+hold, Pk-hold, Pk $\pm$ /2, Pk $\pm$ /2 hold, Pk $\pm$ max, Pk $\pm$ maxhold

### **Variable Frequency Notch Filter**

**Frequency Range:**  
300Hz to 10 kHz

**Notch Depth:**  
>60 dB

#### **Audio Detectors:**

RMS, RMS\*SQRT2, Pk+, Pk-, Pk+hold, Pk-hold, Pk±/2, Pk±/2 hold, Pk±max,  
Pk±maxhold



---

## Oscilloscope Specifications

**Frequency Range:** 2 Hz to 50 kHz (3 dB BW)

**Scale/Division:** 10 mV to 10 V

**Amplitude Accuracy:**  $\pm 1.5\%$  of reading  $\pm 0.1$  division. (20 Hz to 10 kHz)

**Time/Division:** 1  $\mu$ sec to 200 msec

**Trigger Delay Range:** 20  $\mu$ sec to 3.2 sec

*3 dB Bandwidth: Typically >100 kHz*

*Internal DC Offset:  $\leq 0.1$  div ( $\geq 50$   $\mu$ V/div sensitivity)*

---

## Spectrum Analyzer Specifications (Option 102)

### Frequency

**Frequency Range:** 400 kHz to 1 GHz

**Frequency Span/Resolution Bandwidth (coupled):**

Span	Bandwidth
< 50 kHz	300 Hz
< 200 kHz	1 kHz
< 1.5 MHz	3 kHz
< 18 MHz	30 kHz
≥ 18 MHz	300 kHz
Full span	

**Display:** Log with 10 dB/div, 2 dB/div, or 1 dB/div

**Display Range:** 80 dB

**Reference Level Range:** +50 to -50 dBm

**Residual Responses:** <-70 dBm (no input signal, 0 dB attenuation)

**Image Rejection:** >50 dB

*Non-harmonic Spurious Responses:* >70 dB (for input signals ≤ -30 dBm)

*Level Accuracy:* ±2.5 dB

*Displayed Average Noise Level:* <-114 dBm for ≤ 50 kHz spans

*Log Scale Linearity:* ±2 dB (for input levels ≤ -30 dBm or 60 dB range)

### Tracking Generator

(Included with Option 102)

**Frequency Range:** 400 kHz to 1 GHz

**Frequency Offset:** Frequency span endpoints ± frequency offset cannot be < 400 kHz or ≥ 1 GHz

**Output Level Range:** Same as signal generator

**Sweep Modes:** Normal and inverted

## Adjacent Channel Power

(Included with Option 102)

### Relative Measurements:

Level Range:

Antenna In:  $-40$  dBm to  $+20$  dBm

RF/Input:  $0.16$  mW ( $-8$  dBm) to  $60$  W ( $47.8$  dBm) continuous; or up to  $100$  mW ( $50$  dBm) for 10 seconds/minute

*Dynamic Range: Typical values for channel offsets*

Channel Offset	Resolution Bandwidth	Dynamic Range
<i>12.5 kHz</i>	<i>8.5 kHz</i>	<i>- 65 dBc</i>
<i>20 kHz</i>	<i>14 kHz</i>	<i>- 68 dBc</i>
<i>25 kHz</i>	<i>16 kHz</i>	<i>- 68 dBc</i>
<i>30 kHz</i>	<i>16 kHz</i>	<i>- 68 dBc</i>
<i>60 kHz</i>	<i>30 kHz</i>	<i>- 65 dBc</i>

Relative Accuracy:  $\pm 2.0$  dB

**Absolute Level Measurements:**

Level: Results of absolute power in Watts or dBm are met by adding the ACP ratio from the spectrum analyzer to the carrier power from the input section RF power detector.

Level Range:

Antenna: Not applicable

RF/Input: 1 mW (0 dBm) to 60 W (47.8 dBm) continuous; or up to 100 W (50 dBm) for 10 seconds/minute

*Dynamic Range: Typical values for channel offsets*

Channel Offset	Resolution Bandwidth	Dynamic Range
12.5 kHz	8.5 kHz	- 65 dBc
20 kHz	14 kHz	- 68 dBc
25 kHz	16 kHz	- 68 dBc
30 kHz	16 kHz	- 68 dBc
60 kHz	30 kHz	- 65 dBc

Absolute Accuracy: RF power measurement accuracy for absolute in-channel power: (for inputs > 200 mW):  $\pm 10\%$  of reading  $\pm 1$  mW (in dB) plus ACP relative accuracy of  $\pm 2.0$  dB

## Signaling (Option 004)

### Capability for generating and analyzing the following formats:

CDCSS, DTMF, 1 TONE, 2 TONE, 5/6 TONE SEQUENTIAL, RPC1, POCSAG, EIA, CCITT, CCIR, ZVEI, DZVEI, GOLAY, EEA, AMPS/EAMPS/NAMPS, TACS/ETACS, JTACS/NTACS, NMT-450, NMT-900, LTR<sup>®1</sup>, EDACS<sup>™</sup>, MPT 1327, and TDMA dual-mode

LTR<sup>®</sup> is a registered trademark of the E. F. Johnson Company; EDACS<sup>™</sup> is a trademark of Erickson/GE.

<sup>1</sup> over 15° to 35°C for analyzing

A General Purpose Function Generator with the following waveforms is included: sine, square, triangle, ramp, dc, Gaussian white noise, uniform white noise.

**Frequency Range and Level:** Same as audio source

---

## DC Current Meter

**Measurement Range:** 0 to 10 A (*usable to 20 A*)

**Accuracy:** The greater of 10% of reading after zeroing or 30 mA (levels > 100 mA)

---

## Remote Programming

**HP-IB:** Hewlett-Packard's implementation of IEEE Standard 488.2

**Functions Implemented:** SH1, AH1, T6, L4, SR1, RL1, LE0, TE0, PP0, DC1, DT1, C4, C11, E2

**RS-232:** Six-wire RJ-11 connector provides two three-wire serial ports for serial data in and out (no hardware handshake capability).

**Baud Rates:** 150, 300, 600, 1200, 2400, 4800, 9600, and 19200 Hz

**Parallel (Centronics) connector:** A standard 25-pin, sub-min D female connector with right-angle adapter is included.

---

## Memory Card Specifications

**Card Compatibility:** Single industry standard PCMCIA slot accepts Type I or Type II SRAM and ROM memory cards.

**Storage Capability:** Allows for the storage and retrieval of IBASIC program parameter and results data, input of new calibration data, and long-term storage of Store/Recall information.

**Firmware Upgrades:** Accepts PCMCIA flash memory cards (4 Mbytes) to allow automatic loading of new firmware for the host CPU from the front panel. Upgrade time is approximately two minutes.



## Reference Oscillator Specifications

### TCXO (Standard)

**Temperature:** 1 ppm (0 to +55°C)

**Aging:** < 2 ppm/year

**Warm-up Time:** < 30 seconds to be within  $\pm 2$  ppm of final frequency

### OCXO (Option 001)

**Temperature:** 0.05 ppm (0 to +55°C)

**Aging:** < 0.5 ppm/year (< 1 ppm in first year)

**Warm-up Time:** < 15 minutes to be within  $\pm 0.1$  ppm of final frequency

*Rear Panel BNC connectors:*

*Input Frequency: 1,2,5,10 MHz*

*Input Level<sup>1</sup>: > 0.15 Vrms*

*Output Frequency: 10 MHz*

*Output Level: > 0.5 Vrms*

---

1. Electrostatic Discharges to the 10 MHz Ref Input port of the 0.5 kV or the above may cause degradation of performance, requiring operator intervention.

---

## Save/Recall Registers

Approximately 928 kilobytes RAM available for non-volatile save/recall of settings. This typically will allow you to save >500 sets of instrument settings, depending on the type of information saved.

---

## **Delete Handle and Cover (Option 031)**

Option 031 deletes the handle and the protective front cover from the instrument.

---

## General Specifications

**Size:** 7.5 H x 13 W x 19 inches (188 H x 330 W x 456 D mm)

**Weight:** 37 lbs (16.8 kg) fully optioned

**CRT Size:** 7 x 10 cm

**Operating Temperature:** 0 to +55°C

**Storage Temperature:** -55 to +75°C

**Power:**

**AC:** 100 to 240 V, 48 to 440 Hz, *nominally 80 watts*

**DC:** 11 to 28 V, *nominally 120 watts*

*Leakage: At Signal Generator output frequency and level <-40 dBm, typical leakage is <0.5  $\mu$ V induced in a resonant dipole antenna 1 inch from any surface except the rear panel. This corresponds to approximately 0.05  $\mu$ V when measured with a 25-mm, two-turn loop. Spurious leakage levels are typically < 1  $\mu$ V in a resonant dipole antenna.*



---

**HP 8921A**

---

## Signal Generator Specifications

### RF Frequency

**Range:** 250 kHz to 1 GHz  
**Accuracy and Stability:** Same as reference oscillator  $\pm 0.015$  Hz  
**Switching Speed:**  $< 150$  ms to within 100 Hz of carrier frequency  
**Resolution:** 1 Hz

### Output

#### RF IN/OUT Connector:

**Level Range:**  $-137$  to  $-19$  dBm into  $50 \Omega$   
**Level Accuracy:**  $\pm 1.8$  dB (level  $\geq -127$  dBm) If RF analyzer is also connected add  $\pm 0.1$  dB (typical  $\pm 1.0$  dB for all levels)  
**Reverse Power:** 60 watts continuous, 100 watts for 10 seconds/minute  
**SWR:**  $< 1.5:1$

#### DUPLEX Out Connector:

**Level Range:**  $-127$  to  $+7$  dBm into  $50 \Omega$   
**Level Accuracy:**  $\pm 1.5$  dB (typically  $\pm 1.0$  dB for all levels)  
**Reverse Power:** 200 mW maximum  
**SWR:**  $< 2.0:1$  (level  $< -4$  dBm)

*Resolution: 0.1 dB*

### Spectral Purity

**Spurious Signals:** For  $\leq +1$  dBm output level at DUPLEX OUT or  $\leq -25$  dBm output level at RF IN/OUT

Harmonics:  $< -30$  dBc  
Non-Harmonic Spurious:  $< -60$  dBc (at  $> 5$  kHz offset from carrier)

#### Residual FM:

CCITT, rms

$< 7$  Hz for  $250 \text{ kHz} \leq f_c < 249 \text{ MHz}$   
 $< 4$  Hz for  $249 \text{ MHz} \leq f_c < 501 \text{ MHz}$   
 $< 7$  Hz for  $501 \text{ MHz} \leq f_c \leq 1000 \text{ MHz}$

*SSB Phase Noise:  $< -116$  dBc/Hz (for  $> 20$  kHz offsets at a 500 MHz carrier frequency).*

## FM

### FM Deviation:

Rates >25 Hz

100 kHz: for  $f_c$  from 0.25 to < 249 MHz

50 kHz: for  $f_c$  from 249 to < 501 MHz

100 kHz: for  $f_c$  from 501 to 1000 MHz

FM not specified for ( $f_c$  minus FM dev.) <250 kHz

### FM Rate:

1 kHz reference:

Internal: DC to 25 kHz (1 dB BW)

External, AC Coupled: 20 Hz to 75 kHz (*typical 3 dB BW*)

External, DC Coupled: dc to 75 kHz (*typical 3 dB BW*)

### FM Accuracy:

≤10 kHz dev, 1 kHz rate:

±3.5% of setting ±50 Hz

>10 kHz dev, 1 kHz rate:

±3.5% of setting ±500 Hz

### FM Distortion:

THD + Noise, 0.3 to 3 kHz BW:

<0.5% at >4 kHz deviation and 1 kHz rate

### Center Frequency Accuracy in DC FM Mode:

±500 Hz (after DCFM zero) (*typical ±50 Hz*)

(external source impedance < 1 k  $\Omega$ )

*Ext. Mod. Input Impedance: 600  $\Omega$  nominal*

*Resolution:*

*50 Hz for < 10 kHz deviation*

*500 Hz for ≥ 10 kHz deviation*



---

## Audio Source Specifications

(The specifications apply to both internal sources)

### Frequency

**Range:** dc to 25 kHz  
**Accuracy:** 0.025% of setting  
**Resolution:** 0.1 Hz

### Output Level

**Range:** 0.1 mV to 4 Vrms  
**Maximum Output Current:** 20 mA peak  
**Output Impedance:**  $< 1\Omega$  (at 1 kHz)  
**Accuracy:**  $\pm 2\%$  of setting plus resolution

**Residual Distortion:**  $< 0.125\%$ ; 20 Hz to 25 kHz in an 80 kHz BW (THD plus noise, amplitude  $\geq 200$  mVrms)

**Resolution:**

*Level  $\leq 0.01$  V:  $\pm 50$   $\mu$ V*  
*Level  $\leq 0.1$  V:  $\pm 5$  mV*  
*Level  $\leq 1$  V:  $\pm 5$  mV*  
*Level  $> 1$  V:  $\pm 50$  mV*

*Offset in DC Coupled Mode:  $< 50$  mV*

---

## RF Analyzer Specifications

### RF Power Measurement

**Frequency Range:** 400 kHz to 1 GHz

**Measurement Range:**

1 mW to 60 W continuous

100 W for 10 seconds/minute

**Accuracy:**

$\pm 5\%$  of reading  $\pm 0.01$  mW  $\pm 1$  count (for inputs  $\geq 200$  mW at  $25^\circ \pm 10^\circ\text{C}$ )

$\pm 10\%$  over full temperature range

**SWR:**  $< 1.5:1$

**Resolution:**

*Power  $< 10$  W: 1 mW*

*Power  $\geq 10$  W: 10 mW*

### RF Frequency Measurement

**Measurement Range:** 400 kHz to 1 GHz

**Level Range**

RF IN/OUT:

1 mW to 60 W continuous

100 W for 10 seconds/minute

ANT IN:  $-36$  dBm to  $+20$  dBm

**Accuracy:**  $\pm 1$  Hz plus timebase accuracy

**Resolution:** 1 Hz

## FM Measurement

**Frequency Range:** 5 MHz to 1 GHz (*usable to 400 kHz*)

**Deviation:** 20 Hz to 75 kHz

**Sensitivity:** 2  $\mu$ V (12 dB SINAD,  $f_c \geq 10$  MHz) (*typical < 1  $\mu$ V (30 kHz IF BW, High Sensitivity Mode, 0.3 to 3 kHz BW)*)

**Accuracy:**  $\pm 4\%$  of reading plus residual FM and noise contribution (20 Hz to 25 kHz rates, deviation  $\leq 25$  kHz)

**Bandwidth:** 2 Hz to 70 kHz (3 dB) (DCFM measurements also available)

**THD+Noise:** < 1% for  $\geq 5$  kHz deviation and 1 kHz rate in a 0.3 to 3 kHz BW

**Input Level Range for Specified Accuracy:**

–18 to +50 dBm at RF IN/OUT (0.04 mW to 100 W)

–54 to +14 dBm at ANT IN

**Residual FM and Noise:** < 7 Hz (0.3 to 3 kHz, rms)

*Resolution:*

*$f < 10$  kHz: 1 Hz*

*$f \geq 10$  kHz: 10 Hz*

---

## AF Analyzer Specifications

### Frequency Measurement

**Measurement Range:** 20 Hz to 400 kHz

**Accuracy:**  $\pm 0.02\%$  plus resolution plus reference oscillator accuracy

**External Input:** 20 mV to 30 Vrms

**Resolution:**

$f < 10$  kHz: 0.01 Hz

$f < 100$  kHz: 0.1 Hz

$f \geq 100$  kHz: 1 Hz

### AC Voltage Measurement

**Measurement Range:** 0 to 30 Vrms

**Accuracy:**  $\pm 3\%$  of reading (20 Hz to 15 kHz, inputs  $\geq 1$  mV)

**Residual THD + Noise:** 150  $\mu$ V (15 kHz BW)

**3 dB Bandwidth:** Typically 2 Hz to 100 kHz

**Nominal Input Impedance:** switchable between 1 M  $\Omega$  in parallel with 95 pF, and 600  $\Omega$  floating

**Resolution:**

4 digits for inputs  $\geq 100$  mV

3 digits for inputs  $< 100$  mV

### DC Voltage Measurement

**Voltage Range:** 100 mV to 42 V

**Accuracy:**  $\pm 1.0\%$  of reading plus DC offset

**DC Offset:**  $\pm 45$  mV

**Resolution:** 1 mV

### Distortion Measurement

**Fundamental Frequency:** 1 kHz  $\pm 5$  Hz

**Input Level Range:** 30 mV to 30 Vrms

**Display Range:** 0.1% to 100%

**Accuracy:**  $\pm 1$  dB (0.5 to 100% distortion)

**Residual THD+Noise:** -60 dB or 150  $\mu$ V, whichever is greater (15 kHz BW)

**Resolution:** 0.01% Distortion

## SINAD Measurement

**Fundamental Frequency:** 1 kHz  $\pm$ 5 Hz

**Input Level Range:** 30 mV to 30 Vrms

**Display Range:** 0 to 60 dB

**Accuracy:**  $\pm$ 1 dB (0 to 46 dB SINAD)

**Residual THD+Noise:** -60 dB or 150  $\mu$ V, whichever is greater (15 kHz BW)

**Resolution:** 0.01 dB

## Audio Filters

High-pass filters:

< 20 Hz

50 Hz

300 Hz

Low-pass filters

300 Hz

3 kHz

15 kHz

> 99 kHz

Additional Filters

750  $\mu$ s de-emphasis

1 kHz notch

C-Message weighting

6 kHz bandpass

Optional Filter

CCITT weighting filter can be substituted for C-Message weighting filter.

## Audio Detectors

RMS, RMS\*SQRT2, Pk+, Pk-, Pk+hold, Pk-hold, Pk $\pm$ /2, Pk $\pm$ /2 hold, Pk $\pm$ max, Pk $\pm$ maxhold

---

## Oscilloscope Specifications

**Frequency Range:** 2 Hz to 50 kHz (3 dB)

**Scale/Division:** 10 mV to 10 V

**Amplitude Accuracy:**  $\pm 1.5\%$  of reading  $\pm 0.1$  division. (20 Hz to 10 kHz)

**Time/Division:** 1  $\mu$ sec to 200 msec

*3 dB Bandwidth: Typically >100 kHz*

*Internal DC Offset:  $\leq 0.1$  div ( $\geq 50 \mu$ V/div sensitivity)*

---

## Spectrum Analyzer Specifications

**Frequency Range:** 400 kHz to 1 GHz  
**Frequency Span/Resolution Bandwidth (coupled):**

Span	Bandwidth
< 50 kHz	300 Hz
< 200 kHz	1 kHz
< 1.5 MHz	3 kHz
< 18 MHz	30 kHz
≥ 18 MHz	300 kHz
Full span	

**Display:** Log with 10 dB/div, 2 dB/div, or 1 dB/div  
**Display Range:** 80 dB  
**Reference Level Range:** +50 to -50 dBm  
**Residual Responses:** < -70 dBm (no input signal, 0 dB attenuation)  
**Image Rejection:** >50 dB  
*Non-harmonic Spurious Responses: >70 dB (for input signals ≤ -30 dBm)*  
*Level Accuracy: 2.5 dB*  
*Displayed Average Noise Level: < -114 dBm (≤ 50 kHz spans)*  
*Log Scale Linearity: 2 dB (for input levels ≤ -30 dBm and/or 60 dB range)*  
*Other Features: peak hold, marker with frequency and level readout, marker to peak, marker to next, trace comparison A-B, adjacent-channel power*

## Tracking Generator

**Frequency Range:** 400 kHz to 1 GHz  
**Frequency Offset:** Frequency span endpoints ± frequency offset cannot be < 400 kHz or > 1 GHz  
**Output Level Range:** Same as signal generator  
**Sweep Modes:** Normal and inverted  
**Other Features:** Normalize

## Adjacent Channel Power

### Relative Measurements:

Level Range:

Antenna In: -40 dBm to +20 dBm

RF/Input: 0.16 mW (-8 dBm) to 60 W (47.8 dBm) continuous; or up to 100 mW (50 dBm) for 10 seconds/minute

*Dynamic Range: Typical values for channel offsets*

Channel Offset	Resolution Bandwidth	Dynamic Range
12.5 kHz	8.5 kHz	- 65 dBc
20 kHz	14 kHz	- 68 dBc
25 kHz	16 kHz	- 68 dBc
30 kHz	16 kHz	- 68 dBc
60 kHz	30 kHz	- 65 dBc

Relative Accuracy:  $\pm 2.0$  dB



**Absolute Level Measurements:**

**Level:** Results of absolute power in Watts or dBm are met by adding the ACP ratio from the spectrum analyzer to the carrier power from the input section RF power detector.

**Level Range:**

Antenna: Not applicable

RF/Input: 1 mW (0 dBm) to 60 W (47.8 dBm) continuous; or up to 100 W (50 dBm) for 10 seconds/minute

*Dynamic Range: Typical values for channel offsets*

Channel Offset	Resolution Bandwidth	Dynamic Range
12.5 kHz	8.5 kHz	-65 dBc
20 kHz	14 kHz	-68 dBc
25 kHz	16 kHz	-68 dBc
30 kHz	16 kHz	-68 dBc
60 kHz	30 kHz	-65 dBc

**Absolute Accuracy:** RF power measurement accuracy for absolute in-channel power: (for inputs > 200 mW):  $\pm 10\%$  of reading  $\pm 1$  mW (in dB) plus ACP relative accuracy of  $\pm 2.0$  dB

---

## Signaling

### **Capability for generating and analyzing the following formats:**

CDCSS, DTMF, 1 TONE, 2 TONE, 5/6 TONE SEQUENTIAL, RPC1, POCSAG, EIA, CCITT, CCIR, ZVEI, DZVEI, GOLAY, EEA, AMPS/EAMPS/NAMPS, TACS/ETACS, JTACS/NTACS, NMT-450, NMT-900, LTR<sup>®1</sup>, EDACS<sup>™</sup>, MPT 1327, and TDMA dual-mode

LTR<sup>®</sup> is a registered trademark of the E. F. Johnson Company; EDACS<sup>™</sup> is a trademark of Erickson/GE.

<sup>1</sup> over 15° to 35°C for analyzing

General Purpose Function Generator with the following waveforms is included: sine, square, triangle, ramp, dc, Gaussian white noise, uniform white noise.

**Function Generator Frequency Range and Level:** Same as audio source

---

## DC Current Meter

**Measurement Range:** 0 to 10 A (*usable to 20 A*)

**Accuracy:** 10% of reading after zeroing (levels > 100 mA)

---

## Remote Programming

**HP-IB:** Hewlett-Packard's implementation of IEEE Standard 488.2

**Functions Implemented:** SH1, AH1, T6, L4, SR1, RL1, LE0, TE0, PP0, DC1, DT1, C4, C11, E2

**RS-232:** Six-wire RJ-11 connector provides two three-wire serial ports for serial data in and out (no hardware handshake capability)

**Baud Rates:** 300, 600, 1200, 2400, 4800, 9600, and 19200 Hz selectable

**Parallel (Centronics) connector:** A standard 25-pin, sub-min D female connector with right-angle adapter is included. NOTE: Retrofittable only for HP 8921A units with serial number prefix of 3501 and greater.

---

## Save/Recall Registers

Approximately 928 kilobytes RAM available for non-volatile save/recall of settings. This typically will allow you to save >500 sets of instrument settings, depending on the type of information saved.

---

## General Specifications

**Size:** 7.5 H x 13 W x 19 inches (188 H x 330 W x 456 D mm)

**Weight:** 35 lbs (17.1 kg)

**CRT Size:** 7 x 10 cm

**Operating Temperature:** 0 to +55°C

**Storage Temperature:** -55 to +75°C

**Power:**

**AC:** 100 to 240 V, 48 to 440 Hz approx. 80 watts

**DC:** 11 to 28 V, *nominally 120 watts*

*Leakage: At Signal Generator output frequency and level < -40 dBm, typical leakage is < 0.5 μV induced in a resonant dipole antenna 1 inch from any surface except the rear panel. This corresponds to approximately 0.05 μV when measured with a 25-mm, two-turn loop. Spurious leakage levels are typically < 1 μV in a resonant dipole antenna.*







---

**Service Screen**

---

## Introduction

This section contains information about the Test Set's Service Screen. This screen allows you to monitor individual circuit node measurements and change various MUX and DAC Latch settings for isolating faulty modules.

### How to Access the Service Screen

- Press PRESET to preset the Test Set.
- Press SHIFT DUPLEX (CONFIG) to access the CONFIGURE screen.
- Select SERVICE under the To Screen menu with the cursor control knob.

## Field Names and Descriptions

### Voltmeter Connection

This field selects the desired circuit node for voltage measurements. The reading is displayed in the **voltage** measurement field.

To change the voltmeter connection, move the cursor in front of the Voltmeter Connection field and push the cursor control knob. A Choices menu will appear, then move the cursor to the desired circuit node and push the cursor control knob.

### Counter Connection

This field selects the desired circuit node to connect to the Test Set's internal frequency counter. The reading is displayed in the **Frequency** measurement field.

To change the counter connection, move the cursor in front of the Counter Connection field and push the cursor control knob. A Choices menu will appear, then move the cursor to the desired circuit node and push the cursor control knob.

### Gate Time

This field is used to adjust the Test Set's internal frequency counter's gate time. A shorter gate time may enable you to see frequency fluctuations that might not be seen using a longer gate time.

To change the gate time, move the cursor in front of the Gate Time field and push the cursor control knob. Rotate the cursor control knob until the desired gate time (10 to 1000 msec in 10 msec increments) is displayed, then press the cursor control knob.

### Latch

This field is used to manually alter the circuit latches that control switch, DAC and gain settings within the Test Set. The value of the selected latch is displayed and changed in the **value** field. Some settings are read-only.

To set a switch, DAC or gain setting, move the cursor in front of the Latch field and push the cursor control knob. A Choices menu will appear; then move the cursor to the desired latch name and push the cursor control knob. Then, move the cursor in front of the Value field and push the cursor control knob. Rotate the cursor control knob to modify the value (hexadecimal).

---

**NOTE:**

If any of the switches, DACs, or gain settings are changed with the Latch field, the Test Set will generate the message "Direct latch write occurred. Cycle power when done servicing.". To clear this message, cycle the Test Set's power. Upon power-up, the internal controller will return the Test Set to its default settings and values.

---

The first part of the names in the Choices menu relates to the assembly where the switch, DAC, or gain setting is located. Some latch names are not listed here.

- dstr: A4 Modulation Distribution
- aud1: A3 Audio Analyzer 1
- aud2: A2 Audio Analyzer 2
- refs: A15 Reference
- inpt: A23 Input
- out: A13 RF Output
- rcvr: A16 Receiver
- gsyn: A14 Sig Gen Synthesizer
- rsyn: A17 Receiver Synthesizer
- spec: A18 Spectrum Analyzer
- rint: A12 Radio Interface
- meas: A19 Measurement
- metron: A19 Measurement
- afg1: A6 Signaling Source/Analyzer
- afg2: A6 Signaling Source/Analyzer
- sgnl: Displays version number of the Signaling Source/Analyzer firmware.

**Value (hex)**

This field displays and changes the value for the latch shown in the **Latch** field.

**RAM Initialize**

Selecting this field clears all SAVE registers and test programs that may be in RAM, and resets all latches to their factory power-up configuration.

### **Operating Considerations**

If you have saved one or more instrument setups using the SAVE function, using this function will permanently remove them.

### **Displays**

#### **Voltage**

This measurement field displays the voltage, measured by the Test Set's internal voltmeter, for the circuit node shown in the **voltmeter Connection** field. The reading is not the exact voltage; it is scaled down to 5 V.

#### **Frequency**

This measurement field displays the frequency of the circuit node shown in the **Counter Connection** field.





---

**Block Diagrams**



---

## Introduction

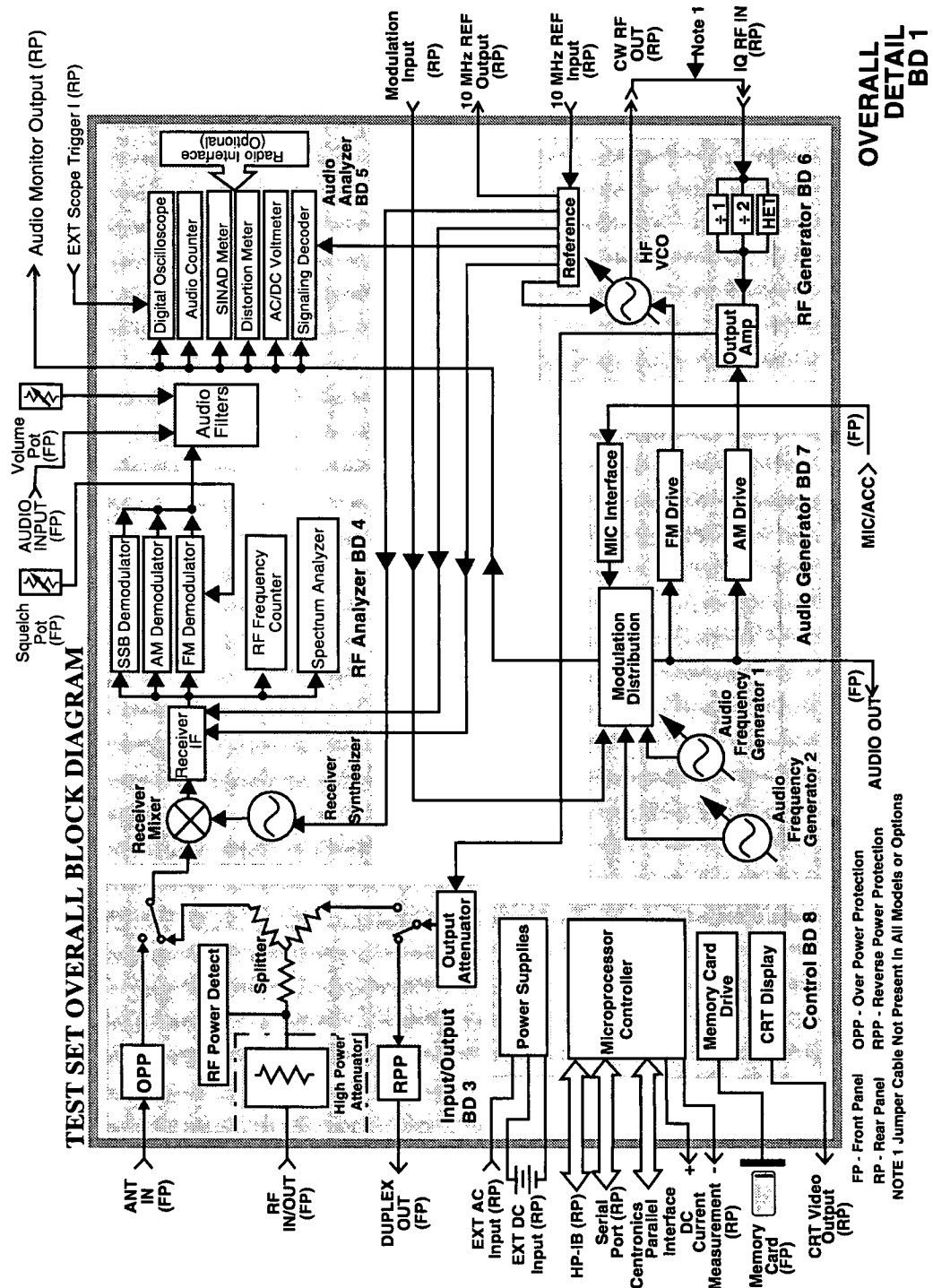
This chapter includes block diagrams and descriptions that focus on how the Test Set generates signals and makes measurements. It also has I/O signal and pin number information that can be used to help isolate a problem to the assembly level if the diagnostics are unable to do so.

The chapter is organized as follows:

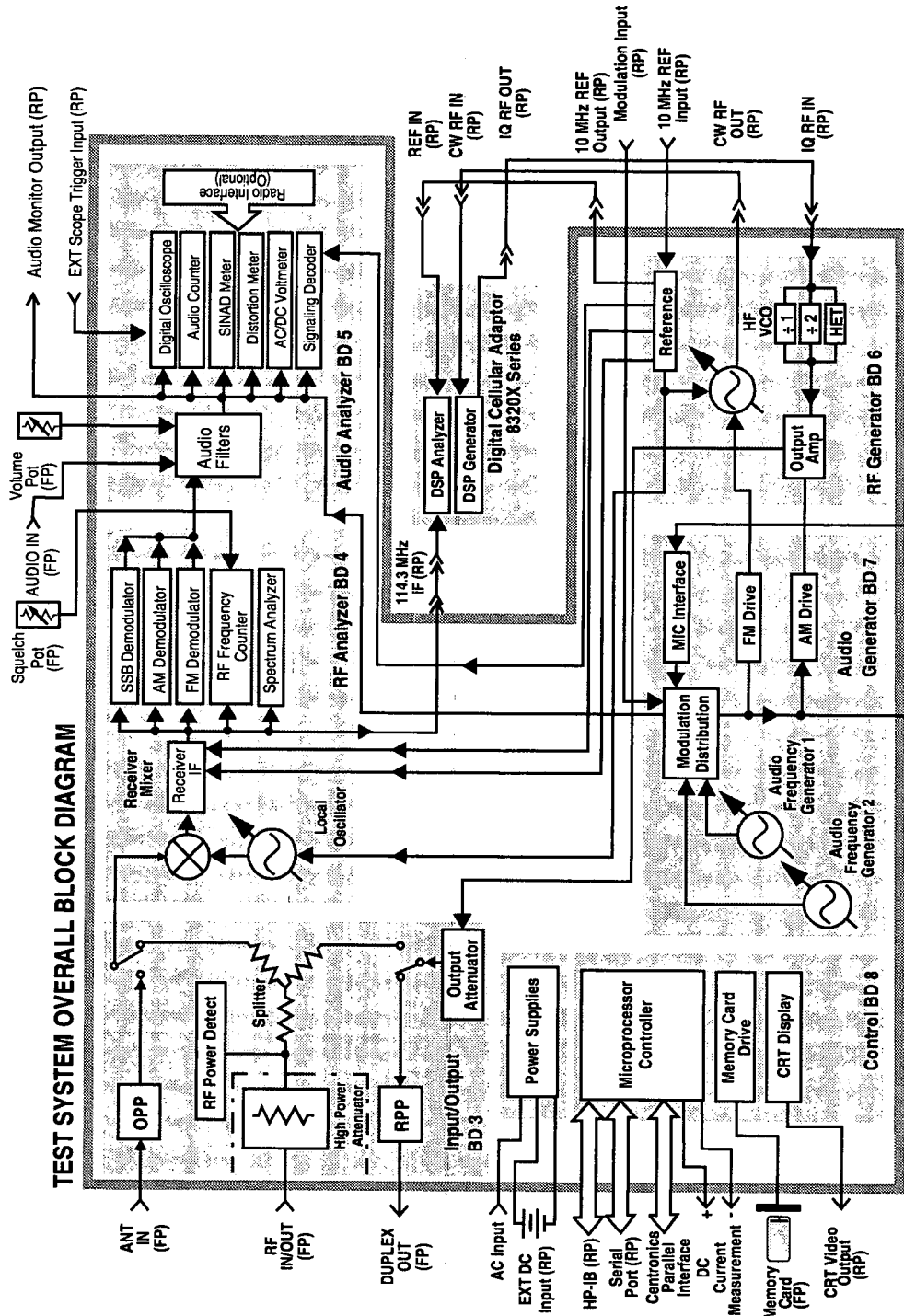
- **Test Set overall block diagrams 1 and 2.** A general view of the functional sections in the Test Set.
- **Section detail block diagrams 3 through 8.** A more detailed view of each functional section and a theory on the operation of each section.
- **Assembly detail block diagrams 9 through 28.** A detailed view of each individual assembly. Included are I/O specifications and switch information where applicable.

## I/O Specifications and Switch Information

I/O and switch information is included to help you determine if voltages and signals are getting to the assemblies with the proper levels, shapes, and frequencies. Line names and connector pin numbers are given on the block diagrams.



OVERALL  
DETAIL  
BD 1



OVERALL  
DETAIL  
BD 2

FP - Front Panel RP - Rear Panel  
AUDIO OUT (FP) AUDIO IN (FP)  
NOTE - A Test System is a Test Set with a Digital Cellular Adaptor Attached

## Input/Output Section

### RF Power Measurement

The A23 Input assembly power splitter has one leg terminated by a 50  $\Omega$  load which has a diode peak detector across it and a temperature sensor near it. The output of the diode detector is sent to the A19 Measurement assembly where it is measured. The Controller converts the measured value to RF power and displays it.

A temperature sensor detects the presence of too much power at the RF IN/OUT connector. The output of the sensor is a DC voltage proportional to RF power. This voltage is measured by the A19 Measurement assembly and the value is compared to a reference limit by the Controller. If the voltage goes above the limit the Controller displays an overpower message. The temperature sensor is also used to temperature-compensate the RF power measurement.

Accuracy is insured by factory-generated calibration data which is stored in EEPROM. Unlike the level-control calibration data for the RF Generator, the calibration data is mathematically applied to the measurement results by the Controller. The following assemblies have calibration data which affects RF power measurement:

- A24 Attenuator
- A23 Input
- A19 Measurement

### RF Frequency Measurement

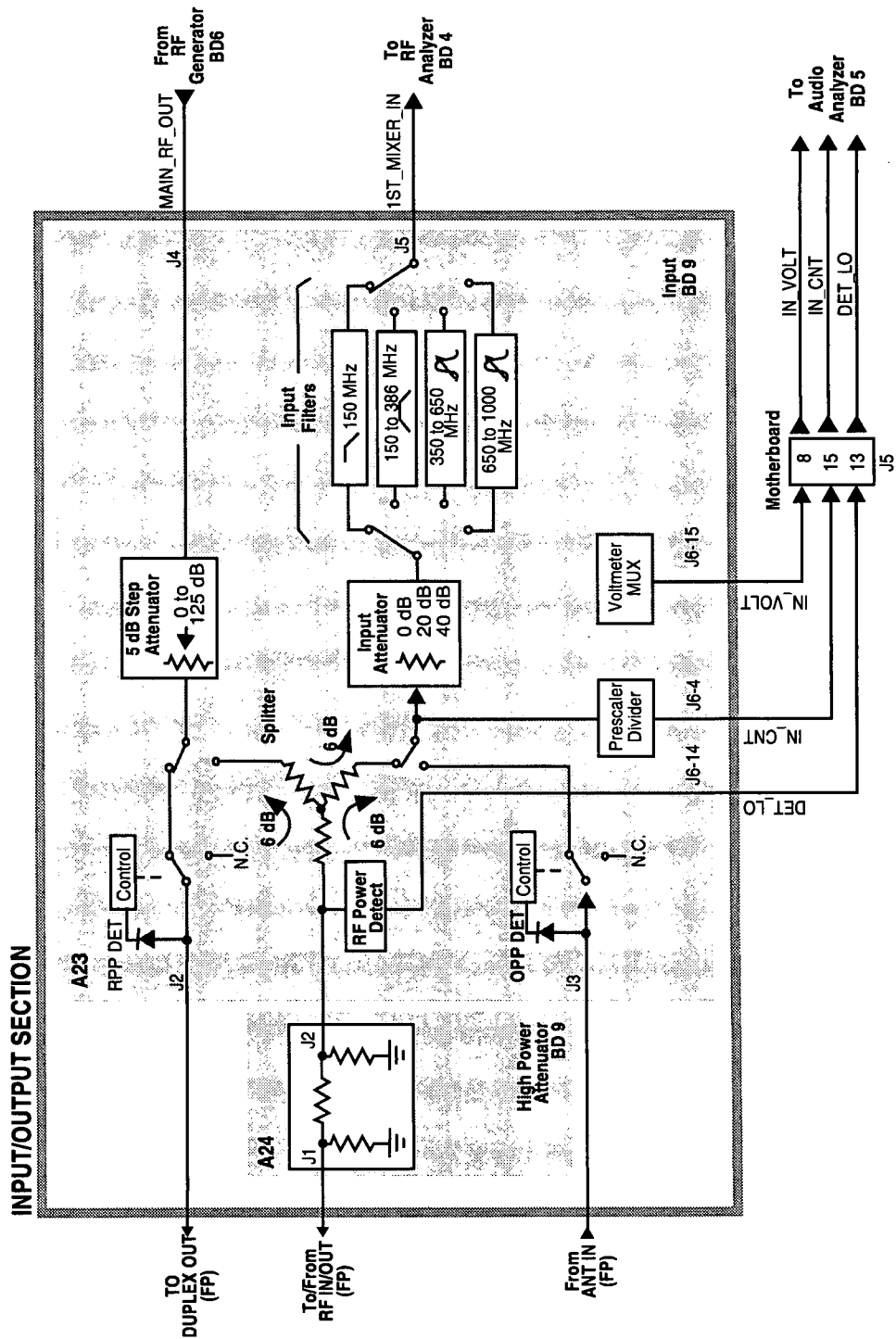
The A23 Input assembly pre-scales the RF input frequency and sends it to the A19 Measurement assembly where it is counted. This measurement is used to automatically tune the local oscillator (LO) and to select the input RF filters. The IF is also counted by the A19 Measurement assembly via the A16 Receiver assembly. The controller calculates the RF frequency from the IF frequency measurement by taking into account the LO frequency. Accuracy is determined by the counter clock which is derived from the 10 MHz reference on the A15 Reference assembly.

### **Input Gain Control**

Step attenuators in the A23 Input section are switched in and out, manually or automatically. This keeps the input level within an optimum range for the mixers, IF amplifiers, and detectors.

Filters are automatically switched in to remove image- and other interfering signals. The frequency ranges of the filters are as follows:

- 150 MHz low-pass
- 150 MHz - 386 MHz bandpass
- 350 MHz - 650 MHz tuneable bandpass
- 650 MHz - 1000 MHz tuneable bandpass



## RF Analyzer Section

### Frequency Conversion

All frequencies are derived from the A15 Reference Assembly. The A11 Receiver Mixer produces an IF of 114.3 or 614.3 MHz. The LO and IF frequencies develop as follows:

Input RF (MHz)	1st LO (MHz)	IF (MHz)
0 to 385.7	614.7 to 1000	614.3
385.7 to 800	500 to 914.3	114.3
800 to 1000	685.7 to 885.7	114.3

The A11 assembly contains two IF Filters that are switched by a DC voltage applied to the semi-rigid coax cable that connects the A11 output to the A16 Receiver assembly. The A16 Receiver produces the voltage according to the IF frequency required.

### Modulation Measurement

The A16 Receiver demodulates the IF into its FM, AM, and SSB components. The demodulated signal is sent to the Audio Analyzer section for measurement.

## **Spectrum Analysis**

The LO on the A18 Spectrum Analyzer assembly is swept across the span by the Controller. The LO starts sweeping when the oscilloscope circuits on the A19 Measurement assembly trigger the display sweep to start. As the LO sweeps, the spectrum analyzer filters and then amplifies the IF signal in a logarithmic detector so the signal voltage will be proportional to the log of power. The signal voltage is measured by a sampler on the A19 Measurement assembly and displayed.

### **Span Width and Bandwidth**

Spectrum analyzer resolution bandwidth is determined by switchable bandwidth IF filters on the A18 Spectrum Analyzer assembly. These filters are set by the Controller as a function of the span selected from the front panel.

### **Markers**

The Controller keeps track of the marker position set on the front panel and displays the frequency and level measured for that position. Frequency accuracy is the same as that of the A15 Reference assembly but it is limited by the resolution of the display.

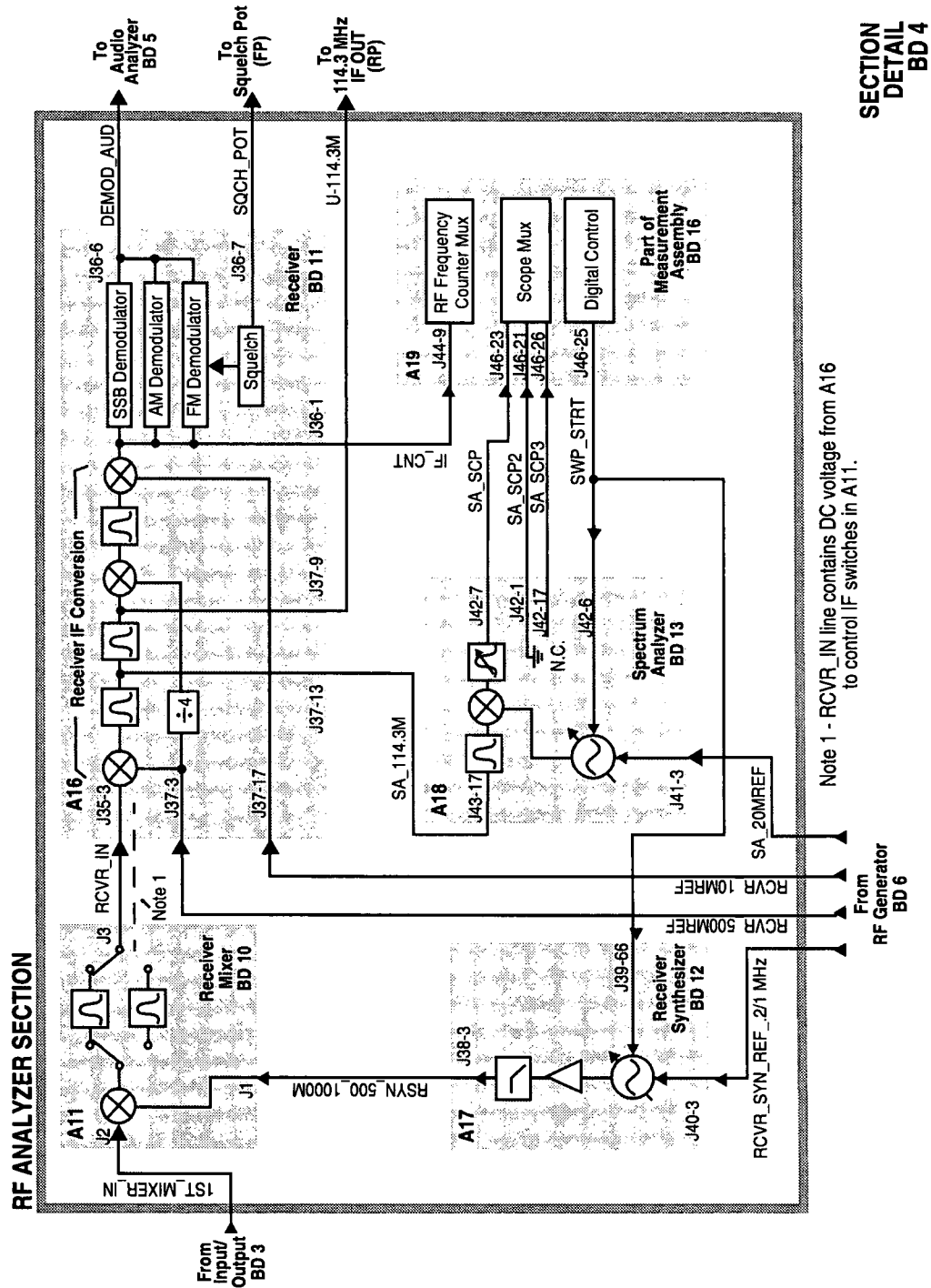
Level accuracy can be affected by the logarithmic detector on the A18 Spectrum Analyzer assembly.

### **Tracking Generator**

When the tracking generator function is selected, the Controller controls the spectrum analyzer and the RF generator together, causing them to track each other.







**SECTION  
DETAIL  
BD 4**

## Audio Analyzer Section

### Input Level Control

Switchable gain amplifiers on the A3 Audio Analyzer 1 and A2 Audio Analyzer 2 assemblies keep the audio input signal within a range suitable for the detectors.

### AC and DC Level Measurements

Detected voltages from the Peak+, Peak -, and RMS detectors are measured on the A19 Measurement assembly. The Controller calculates the displayed value taking into account the detector selected from the front panel, the gain of the amplifiers, and the source of the input signal (demodulators, front panel).

### Distortion and SINAD Measurements

Distortion and SINAD can be measured on 300 Hz to 10 kHz audio signals. The Controller calculates Distortion and SINAD by comparing the ratio of the voltage after the variable notch filter to the ratio of the voltage before the notch filter.

### Radio Interface (Optional)

The radio interface provides a special connection port to pass information to and from a radio. The information passed is used to control the radio during test.

## Oscilloscope Functions

The Test Set has no specialized oscilloscope assemblies. The A2 and A3 Audio Analyzer assemblies, A19 Measurement assembly, and the Controller work together to perform the oscilloscope functions.

### Display

The audio or dc signal to be displayed goes from the A2 Audio Analyzer 2 assembly to a sampler on the A19 Measurement assembly (the same sampler used by the Spectrum Analyzer). The Controller calculates the display level by taking into account the value of the measured signal at each point of the sweep, the gain of the signal path in the Audio Analyzer assemblies, and the volts-per-division setting.

### Trigger

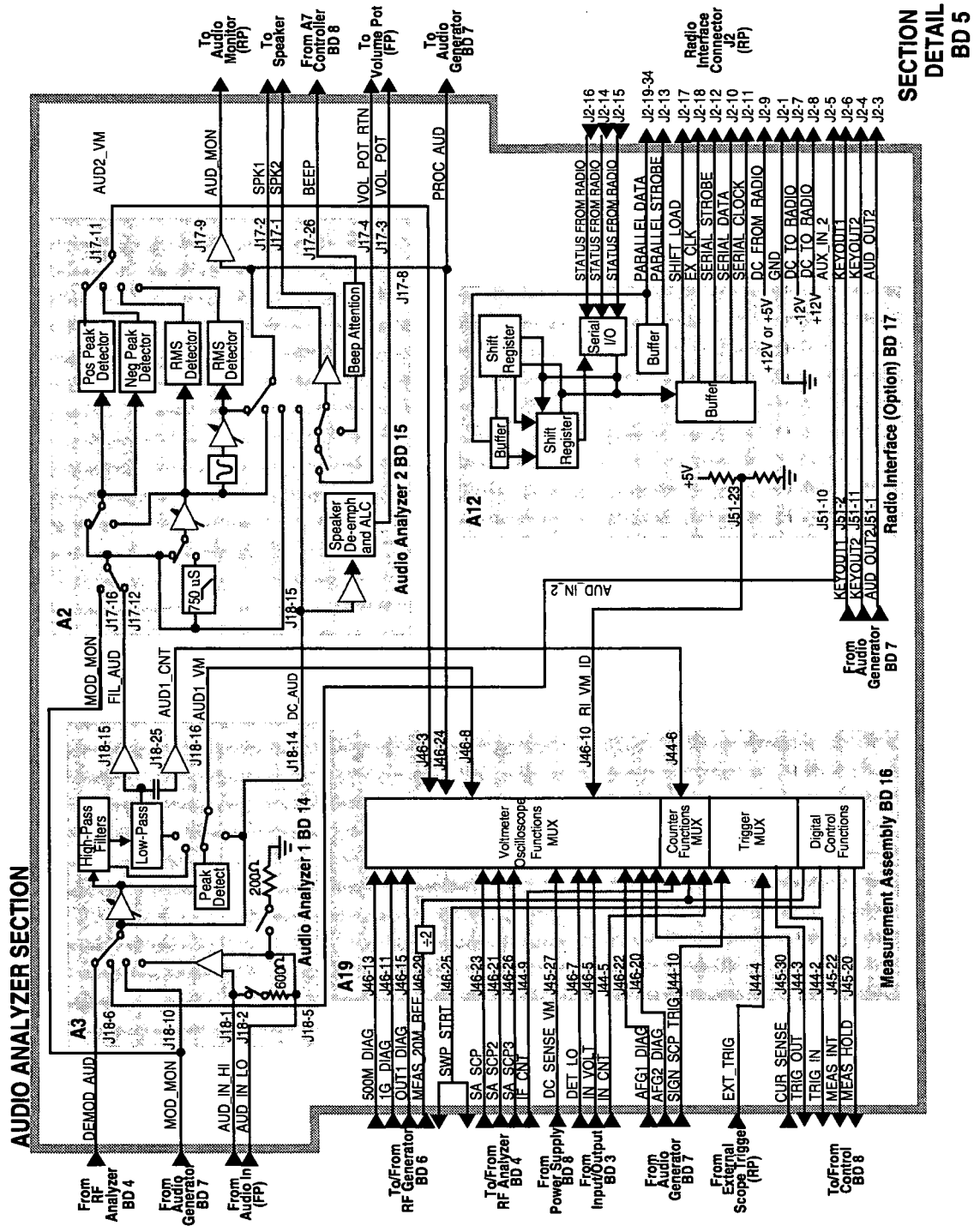
The scope trigger signals from the rear-panel connector, the A6 Signaling Source/Analyzer assembly, and the internal trigger signal are used by the A19 Measurement assembly and the Controller to determine when to start the scope sweep. The Controller takes into account the pre-trigger time entered from the front panel.

### Marker

The Controller keeps track of the marker position set on the front panel and displays the time and level measured for that position.

Time accuracy is the same as the frequency counter's accuracy because the scope timing is derived from the A15 Reference assembly but it is limited by the resolution of the display.





**SECTION  
DETAIL  
BD 5**

## RF Generator Section

### Frequency Generation

All frequencies are derived from a 10 MHz reference which can come from an external reference or from a 10 MHz crystal oscillator on the A15 Reference assembly. There are two versions of the Reference assembly. The standard Reference assembly has a temperature compensated crystal oscillator (TCXO), and the Option 001 (High Stability Time Base) Reference assembly has an oven controlled crystal oscillator (OCXO). The A15 Reference assembly develops the local oscillator (LO) and reference signals needed by the assemblies that make up the RF Generator, RF Analyzer, Spectrum Analyzer, and the A19 Measurement assembly.

The A14 Sig Gen Synthesizer develops a 500 MHz to 1000 MHz signal which is phase-locked to the 200 kHz reference from the A15 Reference Assembly. An out-of-lock indicator LED lights if the phase-lock-loop is out of lock. When you turn the Test Set's power on the LED lights for a few seconds then goes out. If it stays on or comes on again, the loop is out of lock.

The A13 Output assembly develops the RF Generator's full frequency range by mixing, dividing, or passing the 500 MHz to 1000 MHz from the A14 assembly. The frequencies are derived as follows:

Output Frequency	Derivation
250 kHz - 250 MHz	mix
250 MHz - 500 MHz	divide
500 MHz - 1 GHz	pass

### **Level Control**

The A13 Output assembly has an automatic-level-control (ALC) loop that acts as a vernier control of RF level between  $-2$  and  $+9$  dBm. A step attenuator in the A23 Input assembly takes the level down to  $-127$  dBm ( $-137$  dBm at the RF IN/OUT connector) in 5 dB steps.

Assemblies that affect output level calibration have factory-generated calibration data stored in the Test Set's EEPROM. Calibration data is fed to digital-to-analog-converters which control level-adjustable devices in the RF path. These assemblies are:

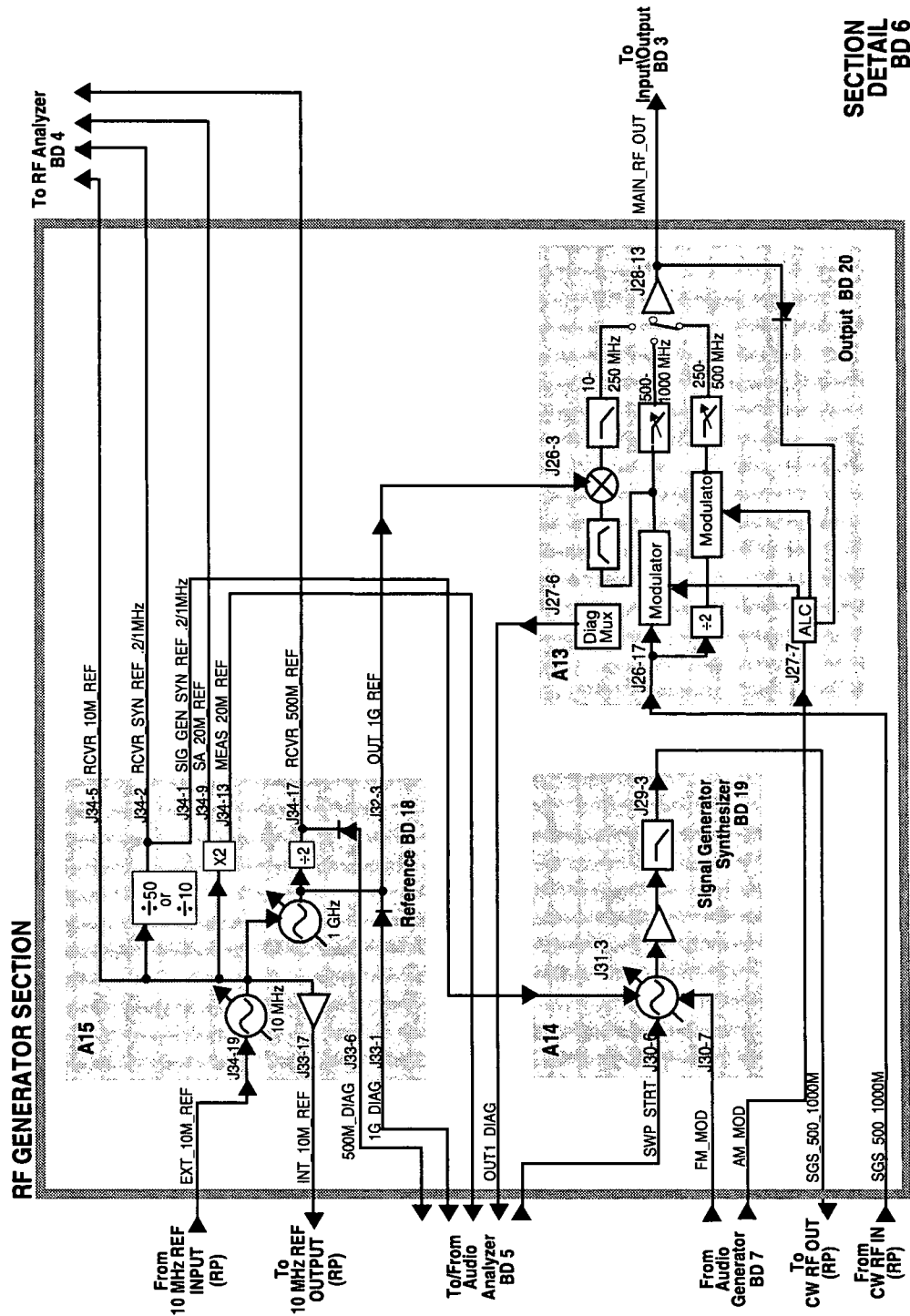
- A24 Attenuator
- A23 Input
- A13 Output

### **Modulation**

Amplitude Modulation (AM) is done on the A13 Output assembly. The modulating signal from the A4 Modulation Distribution assembly is applied to the ALC loop's control voltage.







SECTION  
DETAIL  
BD 6

## Audio Generator Section

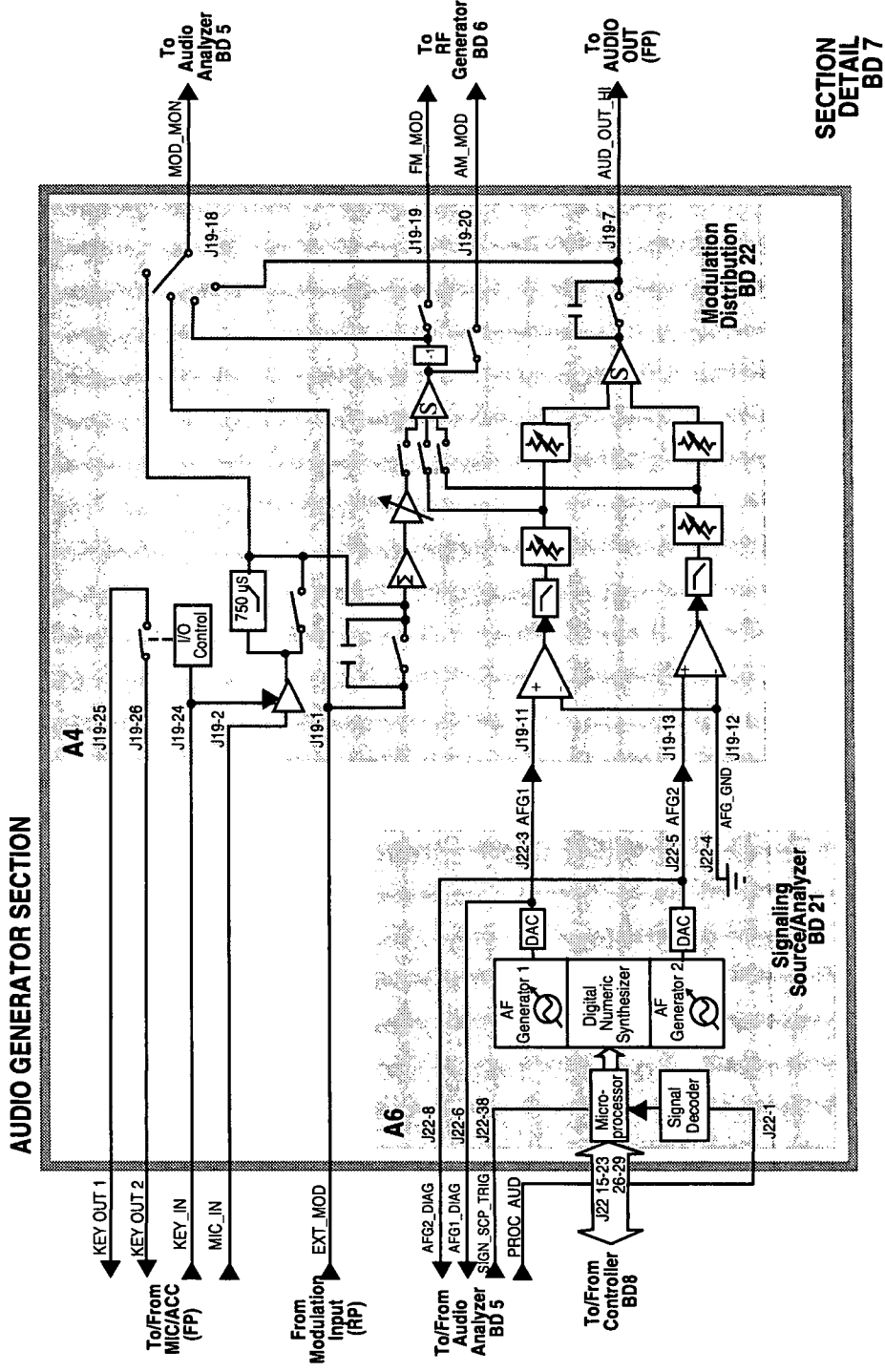
### Waveform Generation

The A6 Signal Source and Analyzer gets frequency and waveshape information from the Controller. Waveform values are calculated real-time by a digital waveform synthesis IC. The AFGen1 output is always a sine-wave. The AFGen2 output is a sine-wave unless one of the function generator waveforms is selected, or signaling is selected from the front panel.

Signaling tones and sequences are generated by AFGen2 when Option 004 (Tone/Digital Signaling) is installed. This option consists of a read-only-memory (ROM) IC that contains the program code for enabling the digital waveform synthesis IC to generate signaling. This ROM is on the A6 assembly.

### Level Control

Audio level is controlled by the A4 Modulation Distribution assembly by using a DAC and variable attenuators. The leveled audio signal is passed on to the RF Generator section.



SECTION  
DETAIL  
BD 7

## **Power Supply, Display, and Control Section**

### **Power Supply**

The A9 Power Supply is a switching type supply. The power supply generates five different DC supplies. They are:

- +5.5 Vdc
- +13.4 Vdc
- -13.4 Vdc
- +43.5 Vdc
- -12 Vdc AUX

Power Supply voltages are distributed to all of the modules and assemblies through the motherboard.

### **Display**

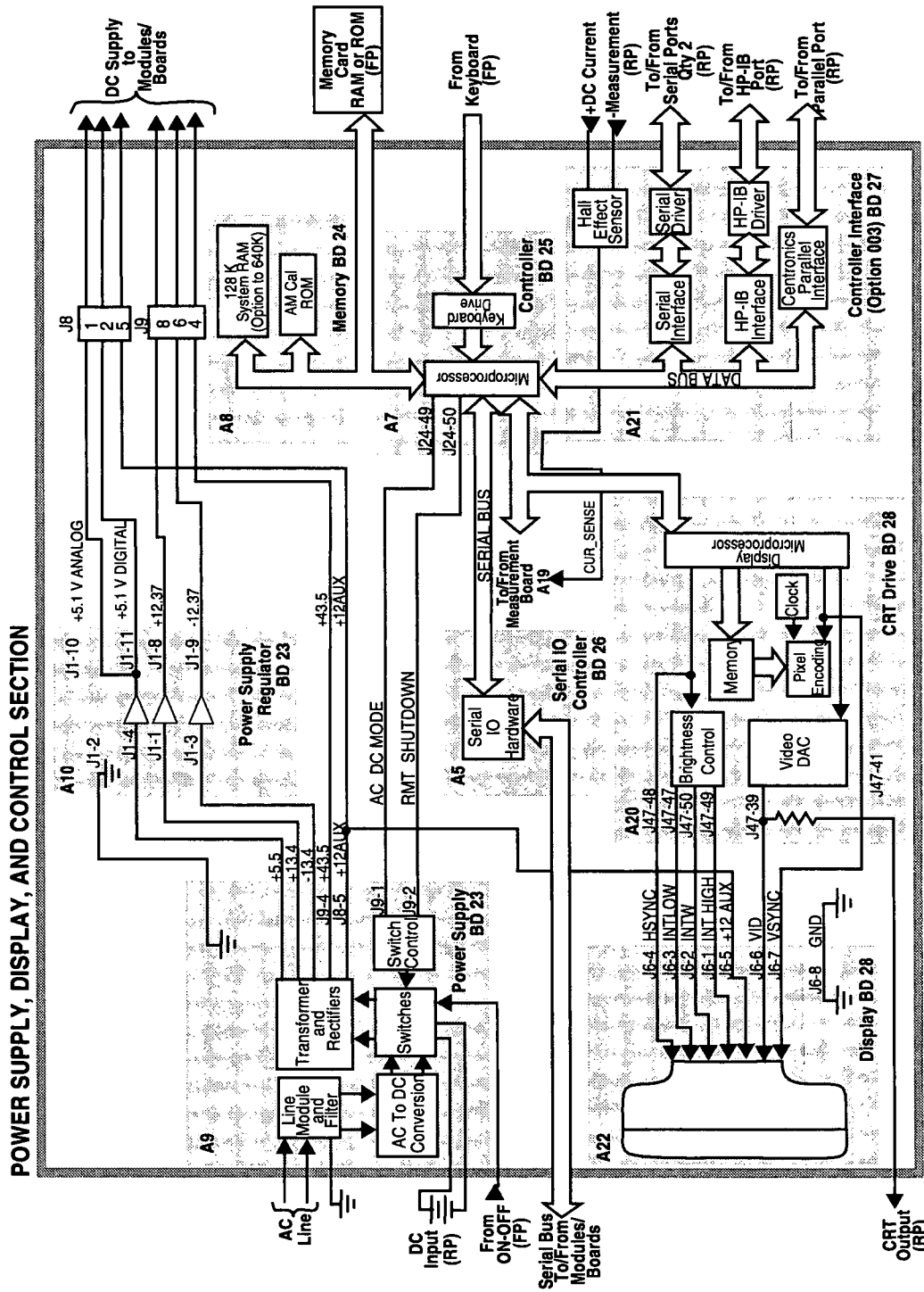
The Test Set's Display data is first generated by the A7 Controller and then passed on to the A20 CRT drive. The A20 CRT drive converts the digital information into analog vertical and horizontal drive signals for the A22 CRT display. The A20 CRT drive also provides brightness and contrast signals for the A22 CRT display.

## **Control**

The Test Set's Digital Control is driven by three different assemblies. They are:

- A8 Memory
- A7 Controller
- A5 Serial I/O

The controller receives user control information by either the HP-IB Bus or by the front panel. Operating firmware on the A8 Memory is then used by the A7 Controller to generate digital control for the Test Set. The digital control bus information is passed to the A5 Serial I/O which controls most of the Test Set's modules and assemblies.



SECTION  
DETAIL  
BD 8

**Table 129**      **Switch Control BD9 A23 Input**

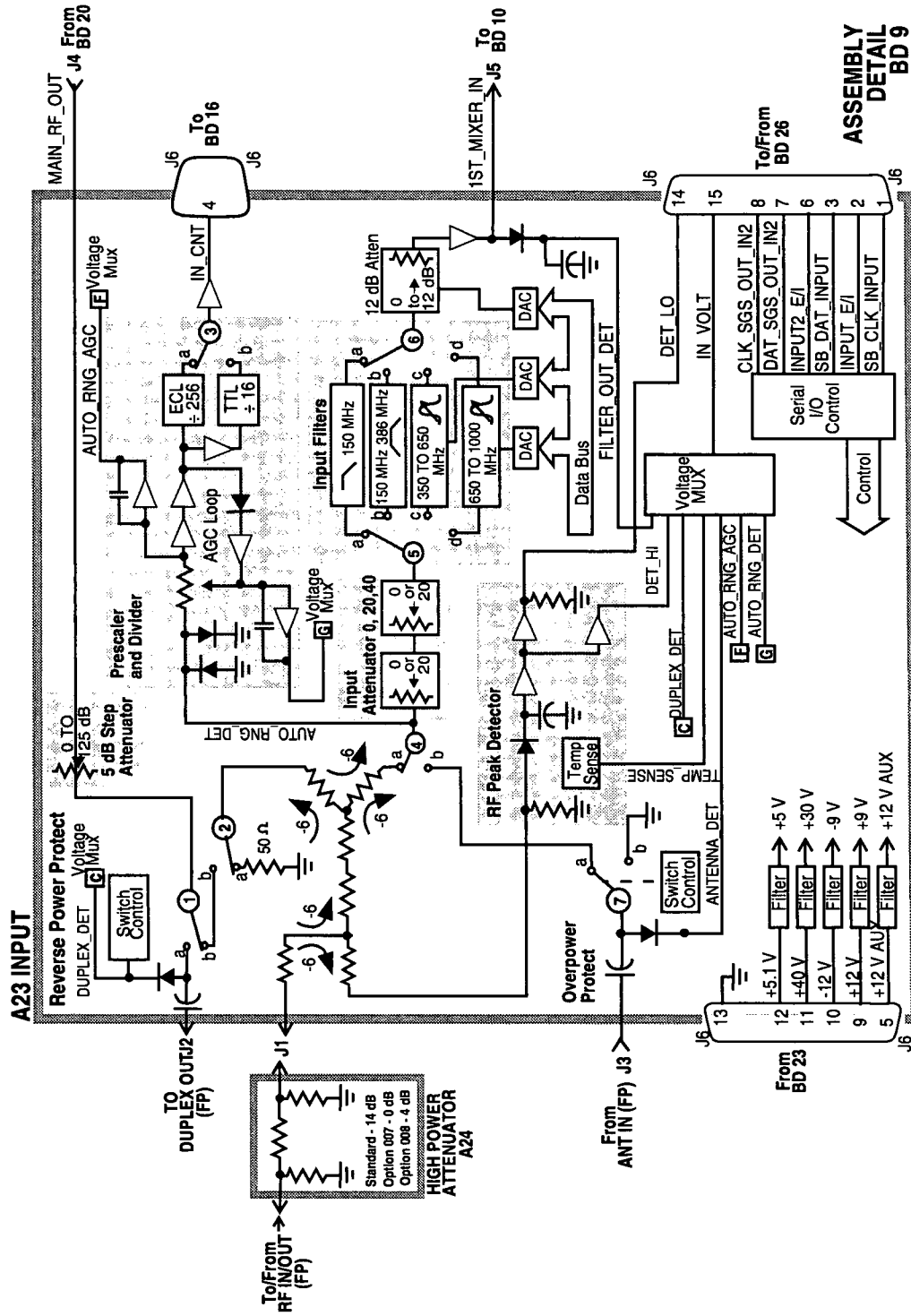
Switch No.	Switch Name	Position	Hexadecimal Value	Instrument Setting
1	inpt_dup_op_reset	a	1	Instrument MEAS RESET
		b	0	When Reverse Power Is Applied
2	inpt_duplex_switch	a	1	RF Generator Output Port to Duplex
		b	0	RF Generator Output Port to RF Out
3	Counter Connection	a		Service Screen Counter Connection to INPUT_ECL_COUNT
		b		Service Screen Counter Connection to INPUT_TTL_COUNT
4	inpt_antenna_switch	a	0	RF Analyzer Input Port to RF IN
		b	1	RF Analyzer Input Port to Antenna
5	inpt_filter_select	a	1D	RF Analyzer Tune Freq <150 MHz
		b	1B	RF Analyzer Tune Freq >150 MHz <380 MHz
		c	16	RF Analyzer Tune Freq >380 MHz <650 MHz
		d	E	RF Analyzer Tune Freq >650 MHz
6	inpt_filter_select	a	1D	RF Analyzer Tune Freq <150 MHz
		b	1B	RF Analyzer Tune Freq >150 MHz <380 MHz
		c	16	RF Analyzer Tune Freq >380 MHz <650 MHz
		d	E	RF Analyzer Tune Freq >650 MHz
7	inpt_ant_op_reset	a	1	Instrument MEAS RESET
		b	0	When Overpower is Applied

**Table 130** I/O Specs BD9 A23 Input

Connector	Name	Type	Range	
			Min	Max
J1	RF IN/OUT	Input	.4 MHz	1000 MHz
				2.4 Watts
J2	DUPLEX OUT	Output	.4 MHz	1000 MHz
J3	ANTENNA IN	Input	.4 MHz	1000 MHz
				.10 Watts
J4	MAIN_RF_O UT	Input	.4 MHz	1000 MHz
				<1 dBm
J5	1ST_MIXER_ IN	Output	.4 MHz	1000 MHz
			-22 dBm	-12 dBm





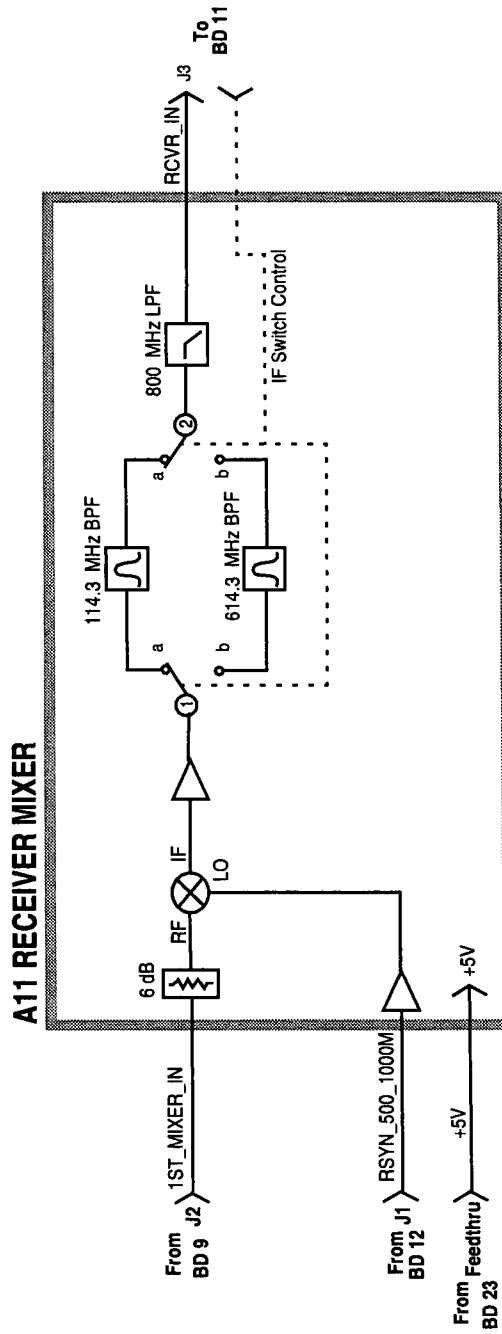


**Table 131** Switch Control BD10 A11 Receiver Mixer

Switch No.	Switch Name	Position	Hexadecimal Value	Instrument Setting
1	rcvr_if_path_select	a	2	RF Analyzer Tune Frequency $\geq 380.7$ MHz
		b	1	RF Analyzer Tune Frequency $< 380.7$ MHz
2	rcvr_if_path_select	a	2	RF Analyzer Tune Frequency $\geq 380.7$ MHz
		b	1	RF Analyzer Tune Frequency $< 380.7$ MHz

**Table 132** I/O Specs BD10 A11 Receiver Mixer

Connector	Name	Type	Range	
			Min	Max
J1	RSYN_500_1000M	Input	500 MHz	1000 MHz
			0 dBm	+6 dBm
J2	1ST_MIXER_IN	Input	.4 MHz	10000 MHz
J3	RCVR_IN	Output	- 37 dBm	-14 dBm



ASSEMBLY  
DETAIL  
BD 10

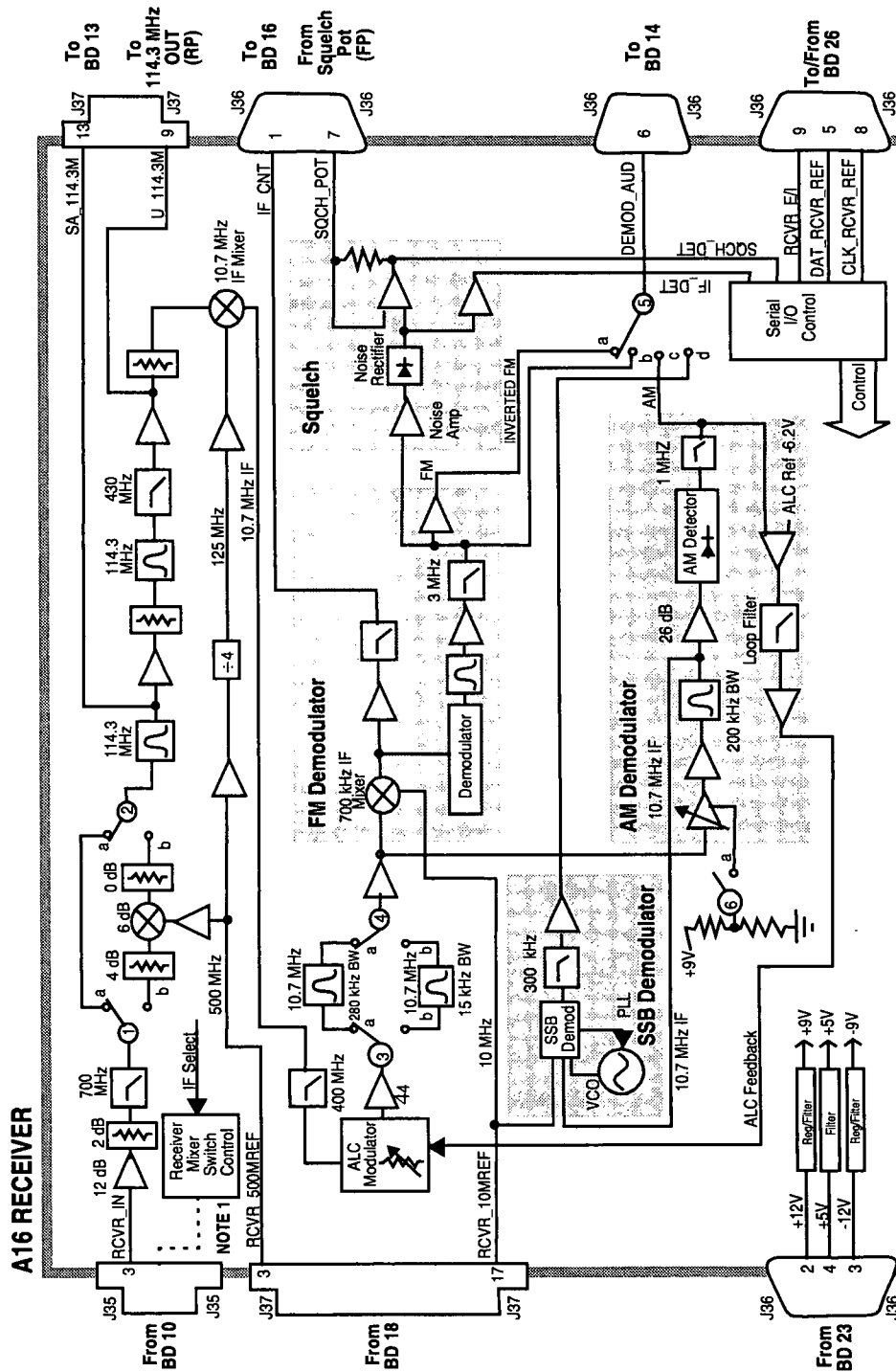
**Table 133**      **Switch Control BD11 A16 Receiver**

Switch No.	Switch Name	Position	Hex Value	Instrument Setting
1	rcvr_if_path_select	a	2	RF Analyzer Tune Frequency 380.7 MHz
		b	1	RF Analyzer tune Frequency <380.7MHz
2	rcvr-if_path_select	a	2	RF Analyzer Tune Frequency ≥380.7 MHz
		b	1	RF Analyzer Tune Frequency <380.7 MHz
3	rcvr_if_filter_select	a	2	RF Analyzer IF Filter To 15 kHz
		b	1	RF Analyzer IF Filter to 230 kHz
4	rcvr_if_filter_select	a	2	RF Analyzer IF Filter to 15 kHz
		b	1	RF Analyzer IF Filter to 230 kHz
5	rcvr_demod_select	a	0	AF Analyzer AF Anl IN to FMD Demod, Tune Fre- quency >710 MHz
		b	1	AF Analyzer AF Anl IN to FM Demod, Tune Frequency <710 MHz
		c	2	AF Analyzer AF Anl IN to AM Demod
		d	3	AF Analyzer AF Anl IN to SSB Demod
6	rcvr_alc_select	a	1	AF Analyzer AF Anl IN to AM Demod
		open	0	AF Analyzer AF Anl IN to FM Demod

**Table 134** I/O Specs BD11 A16 Receiver

Connector	Name	Type	Range	
			Min	Max
J35-3	RCVR_IN	Input	-37 dBm	-14 dBm
J37-3	RCVR_500MREF	Input	-2 dBm	+2 dBm
J37-17	RCVR_10MREF	Input	-12 dBm	- 8 dBm
J37-13	SA_114.3M	Output	109.3 MHz	119.3 MHz
				-12 dBm
J37-9	J-114.3M	Output	109.3 MHz	119.3 MHz
J36-6	DEMOD_AUD	Output		12 Vp





ASSEMBLY  
DETAIL  
BD 11

NOTE 1 - Receiver Mixer Switch Control is DC Voltage Carried on J35-3 Line

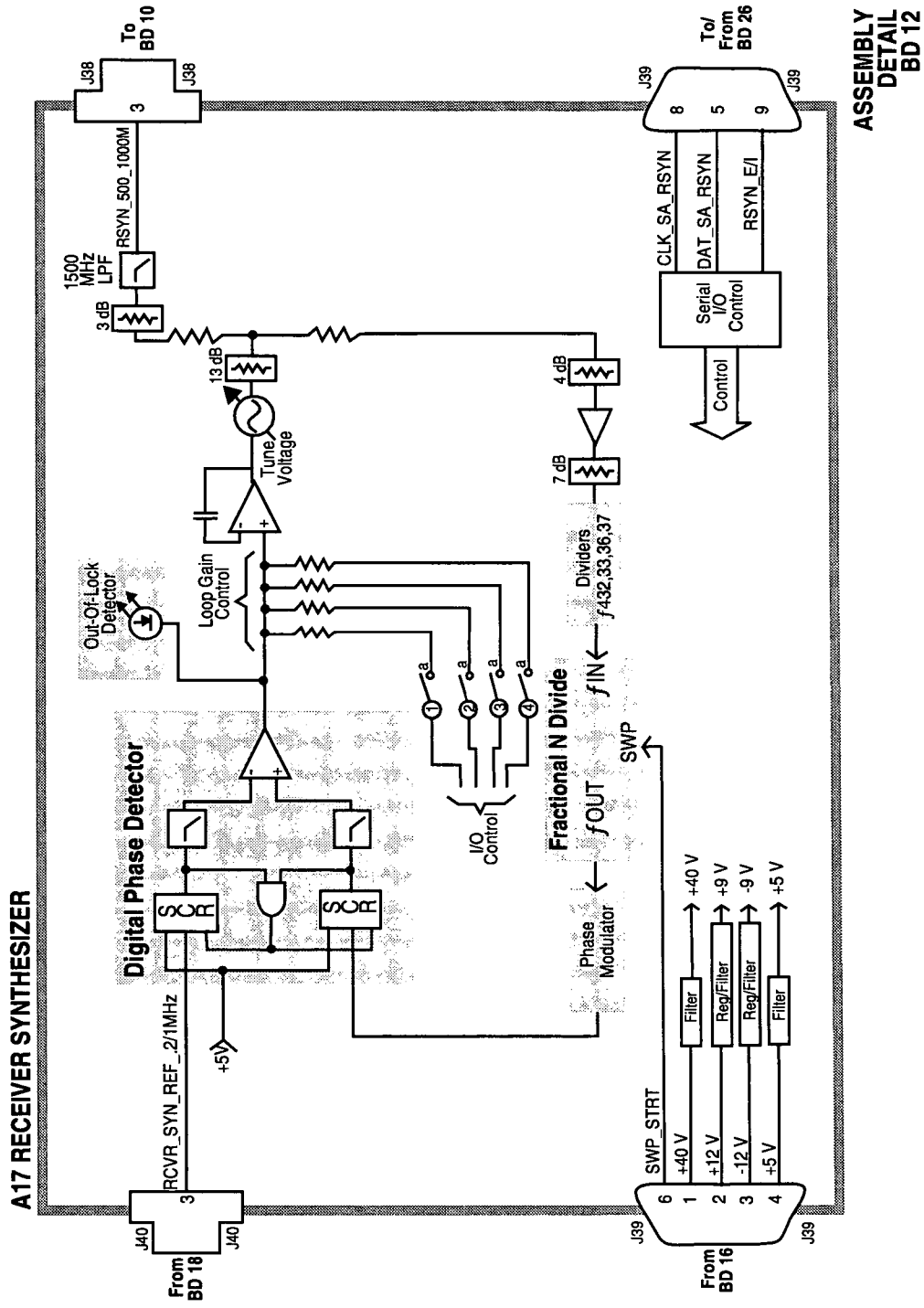


**Table 135**                      **Switch Control BD12 A17 Receiver Synthesizer**

Switch No.	Switch Name	Position	Hexadecimal Value	Instrument Setting
1	rsyn_gain_control	a		Note: Gain Control switches are set in either single position combinations according to receiver tuning frequency. Independent hexadecimal values are not applicable.
		open		
2	rsyn_gain_control	a		
		open		
3	rysn_gain_control	a		
		open		
4	rysn_gain_control	a		
		open		

**Table 136**                      **I/O Specs BD12 A17 Receiver**

Connector	Name	Type	Range	
			Min	Max
J40-3	RCVR_SYN_REF_2/1 MHz	Input	CMOS	CMOS
J39-6	SWP_STRT	Input	TTL	TTL
J38-3	RSYN_500_1000M	Output	-2 dBm	+2 dBm

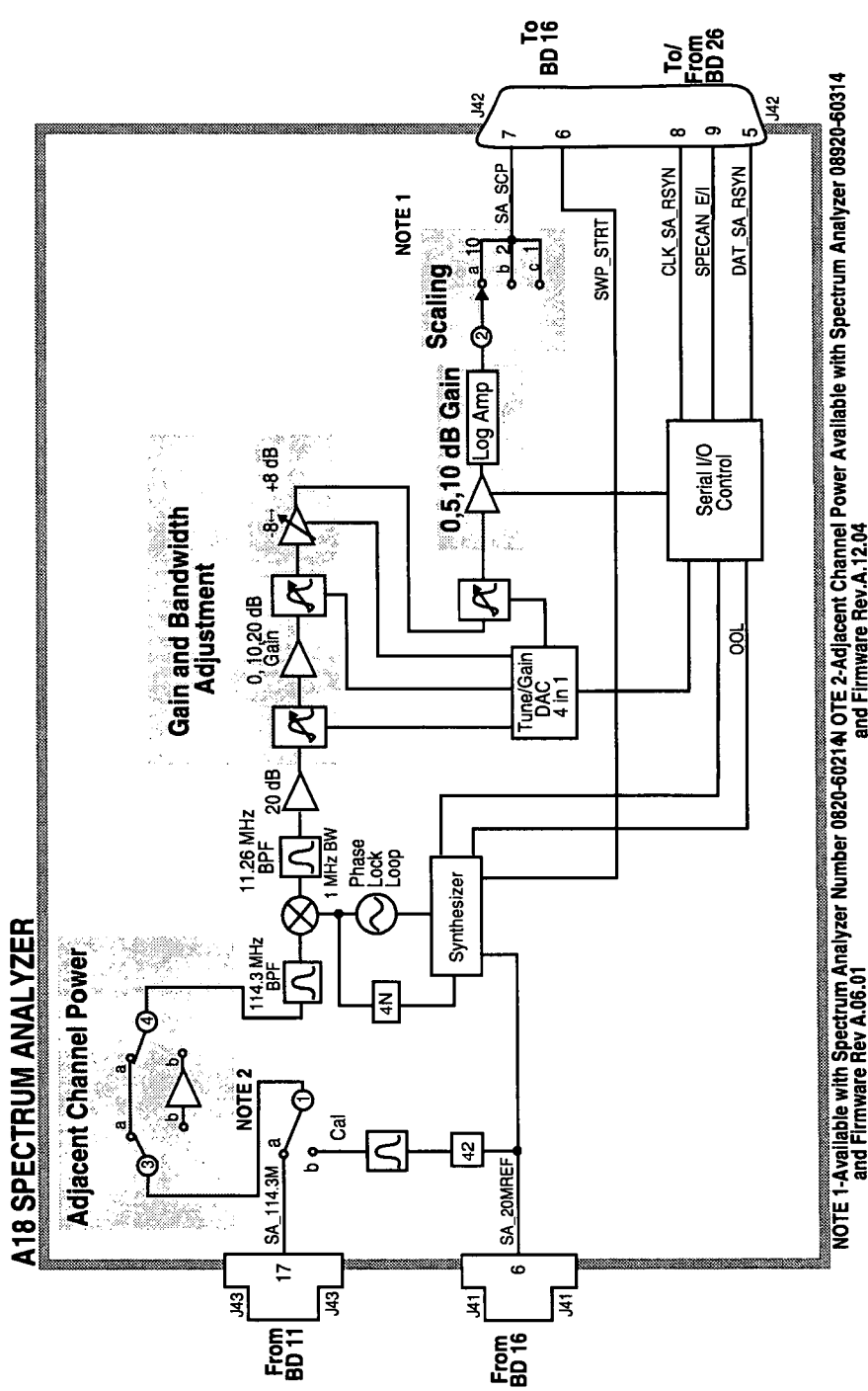


**Table 137**                      **Switch Control BD13 A18 Spectrum Analyzer**

Switch No.	Switch Name	Position	Hexadecimal Value	Instrument Setting
1	spec_cal_switch	a	0	Normal Operation
		b	1	Position Active During-Calibration Cycle
2	spec_log_amp_path	a	6	Spectrum Analyzer Sensitivity 10 dB div
		b	5	Spectrum Analyzer Sensitivity 2 dB div
		c	3	Spectrum Analyzer Sensitivity 1 dB div

**Table 138**                      **I/O Secs BD13 A18 Spectrum Analyzer**

Connector	Name	Type	Range	
			Min	Max
J43-17	SA_114.3M	Input		-12 dBm
J41-6	SA_20M REF	Input	>+3 dBm	



ASSEMBLY  
DETAIL  
BD 13

**Table 139**                      **Switch Control BD14 A3 Audio Analyzer 1**

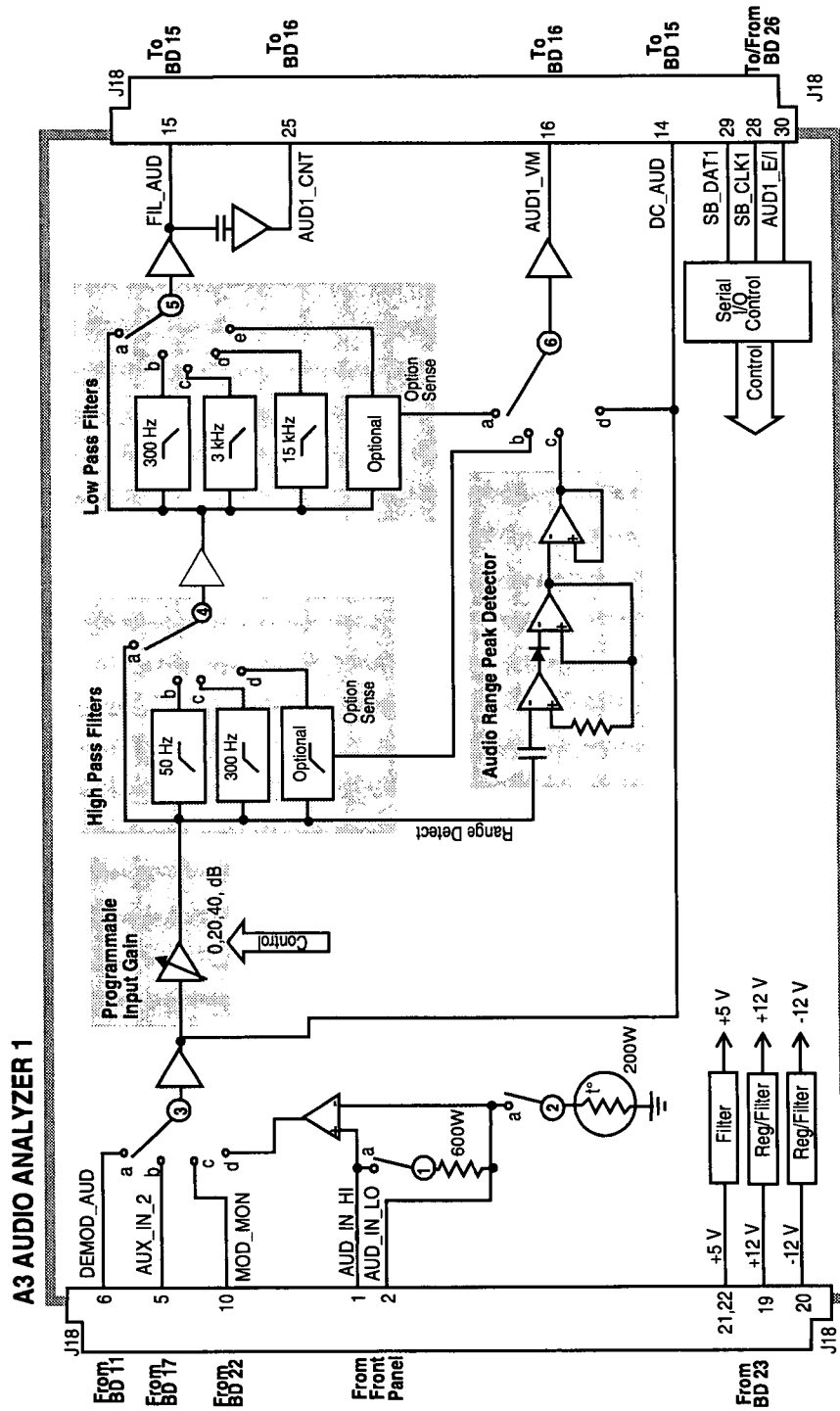
Switch No.	Switch Name	Position	Hex Value	Instrument Setting
1	aud1_input_impedance_switch	a	1	AF Analyzer Audio In Lo to 600 To Hi
		open	0	AF Analyzer Audio In Lo to GND or Float
2	aud1_input_float_gnd	a	1	AF Analyzer Audio In Lo to GND
		open	0	AF Analyzer Audio In Lo to Float or 600 To HI
3	aud1_input_select	a	0	AF Analyzer AF Anl In to FM Demod
		b	4	AF Analyzer AF Anl to Radio INT
		c	1	AF Analyzer AF Anl to EXT MOD
		d	2	AF Analyzer AF Anl to AUDIO IN
4	aud1_filter_1	a	0	AF Analyzer Filter 1 to <20 Hz HPF
		b	3	AF Analyzer Filter 1 to 50 Hz HPF
		c	1	AF Analyzer Filter 1 to 300 Hz HPF
		d	2	AF Analyzer Filter 1 to C-Message BPF
5	aud1_filter_2	a	1	AF Analyzer Filter 2 to >99 kHz LP
		b	0	AF Analyzer Filter 2 to 300 Hz LPF
		c	2	AF Analyzer Filter 2 to 3 kHz LPF

**Table 139**                      **Switch Control BD14 A3 Audio Analyzer 1 (Continued)**

Switch No.	Switch Name	Position	Hex Value	Instrument Setting
		d	3	AF Analyzer Filter 2 to 15 kHz LPF
		e	4	AF Analyzer Filter 2 to 6 kHz LPF
6	Voltmeter Connection	a		Service Screen Voltmeter to OPTION FILTER 2
		b		Service Screen Voltmeter to OPTION FILTER1
		c		Service Screen Voltmeter to RANGE DETECT
		d		Service Screen Voltmeter to DC AUDIO

**Table 140 I/O Specs BD14 A3 Audio Analyzer 1**

Connector	Name	Type	Range	
			Min	Max
J18-6	DEMOD_AUD	Input	.02 kHz	75 kHz
				12 Vp
J18-5	AUX_IN_2	Input	.02 kHz	.75 kHz
				12 Vp
J18-10	MOD_MON	Input	.02 kHz	75 kHz
				12 Vp
J18-1	AUD_IN_HI	Input	.02 kHz	75 kHz
				42 Vp
J18-2	AUD_IN_LO	Input	.02 kHz	75 kHz
J18-15	FIL_AUD	Output	-5 Vp	+5 Vp
J8-14	DC_AUD	Output	- 5 Vp	+5 Vp



ASSEMBLY  
DETAIL  
BD 14



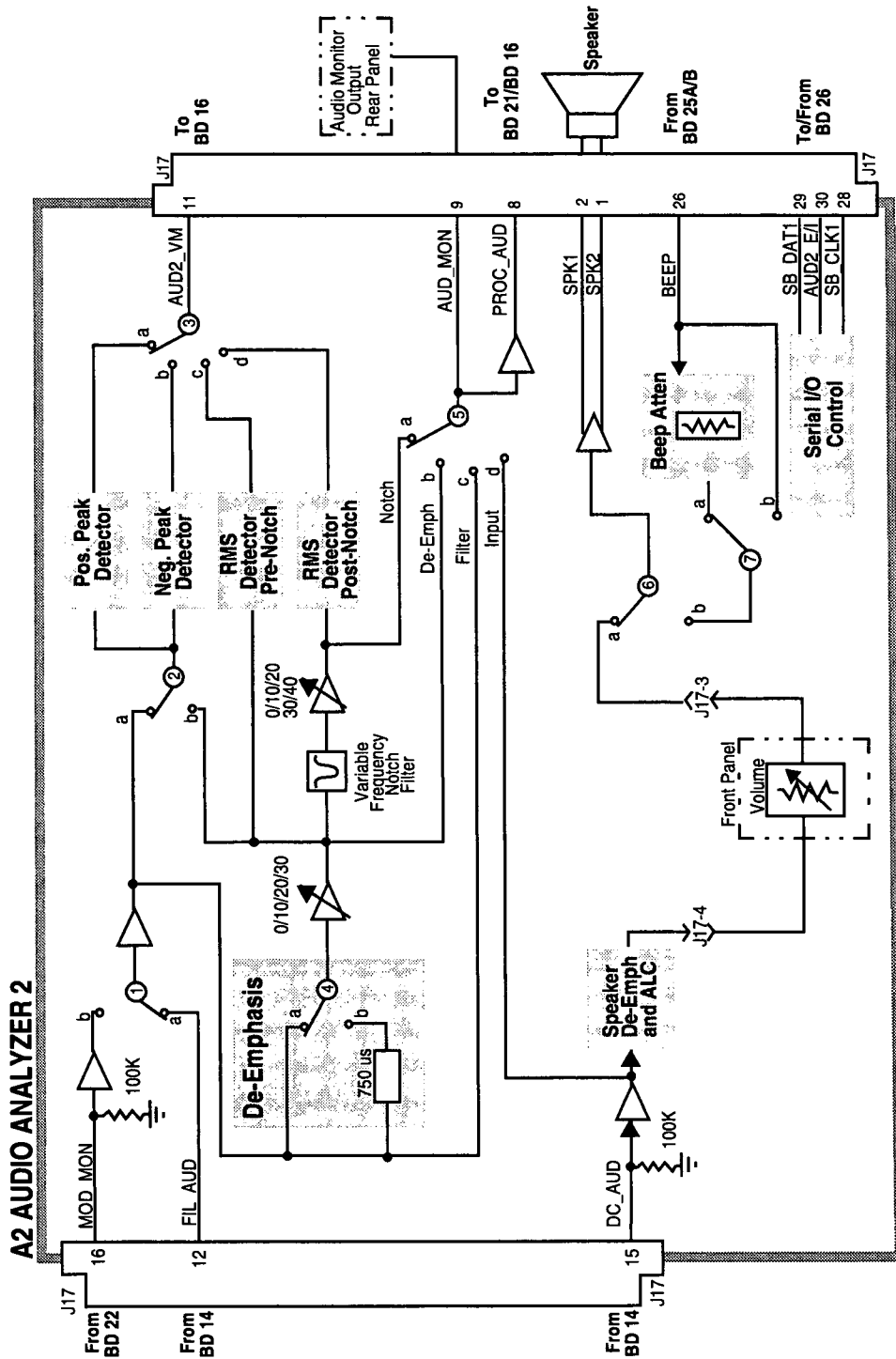
**Table 141**      **Switch Control BD15 A2 Audio Analyzer 2**

Switch No.	Switch Name	Position	Hex Value	Instrument Setting
1	aud2_input_select	a	0	Switched to under Normal Conditions
		b	1	Switched to under Diagnostic Test
2	aud2_pk_det_input	a	0	AF Analyzer PK Det to Filters
		b	1	AF Analyzers PK Det to De-Emp
3	aud2_vm_mux	a		Service Screen Voltmeter Connections to POS_PK_DET
		b		Service Screen Voltmeter Connection to NEG_PK_DET
		c		Service Screen Voltmeter Connection to PRE_NOTCH_RMS
		d		Service Screen Voltmeter Connection to POST_NOTCH_RMS
4	aud2_de_emphasis	a	0	AF Analyzer De-Emphasis to Off
		b	1	AF Analyzer De-Emphasis to 750 us
5	aud2_monitor_select	a	3	AF Analyzer Scope to Notch
		b	2	AF Analyzer Scope to De-Emph
		c	1	AF Analyzer Scope to Filter
		d	0	AF Analyzer Scope to Input
6	aud2_speaker_source	a	1	AF Analyzer Speaker Vol to Off
		b	0	AF Analyzer Speaker Vol to Pot
7	aud2_beep_volume	a	1	Configure Beeper to Quiet
		b	0	Configure Beeper to Loud

**Table 142 I/O Specs BD15 A2 Audio Analyzer 2**

Connector	Name	Type	Range	
			Min	Max
J17-16	MOD_MON	Input		100 k $\Omega$
J17-12	FIL_AUD	Input	-5 Vp	+5 Vp
				1 m $\Omega$
J17-15	DC_AUD	Input	-5 Vp	+5 Vp
				100 k $\Omega$
J17-11	AUD2_VM	Output	-5 V	+5 V
J17-1,2	SPK1, SPK2	Output		.25 Vp
J17-8	AUD_MON	Output	-5 V	+5 V
J17-9	PROC_AUD	Output	-5 V	+5 V





ASSEMBLY  
DETAIL  
BD 15

**Table 143**                      **Switch Control BD16 A19 Measurement**

Switch No.	Switch Name	Position	Hex Value	Instrument Setting
1	meas_scope_trigger_sel	a	0	Oscilloscope Controls Trigger Internal
		b	1	Oscilloscope Controls to Trigger Encoder
		c	3	Oscilloscope Controls to Trigger EXT (TTL)
2	Voltmeter Connection	a		Service Screen Voltmeter Connection to POS_PK_DET
		b		Service Screen Voltmeter-Connection to REF_1GHz_DIAG
		c		Service Screen Voltmeter-Connection to AFG2_DIAG
		d		Service Screen Voltmeter-Connection to AFG1_DIAG
3	Voltmeter Connection	a		Service Screen Voltmeter Connection to Any Switch 2 Connect
		b		Service Screen Voltmeter-Connection to MEAS_SGND
		c		Done During Self Cal Every 3 Minutes
		d		Done During Self Cal Every 3 Minutes
4	Voltmeter Discharge Switch	a		Done After Every Measurement
		open		Normal Position

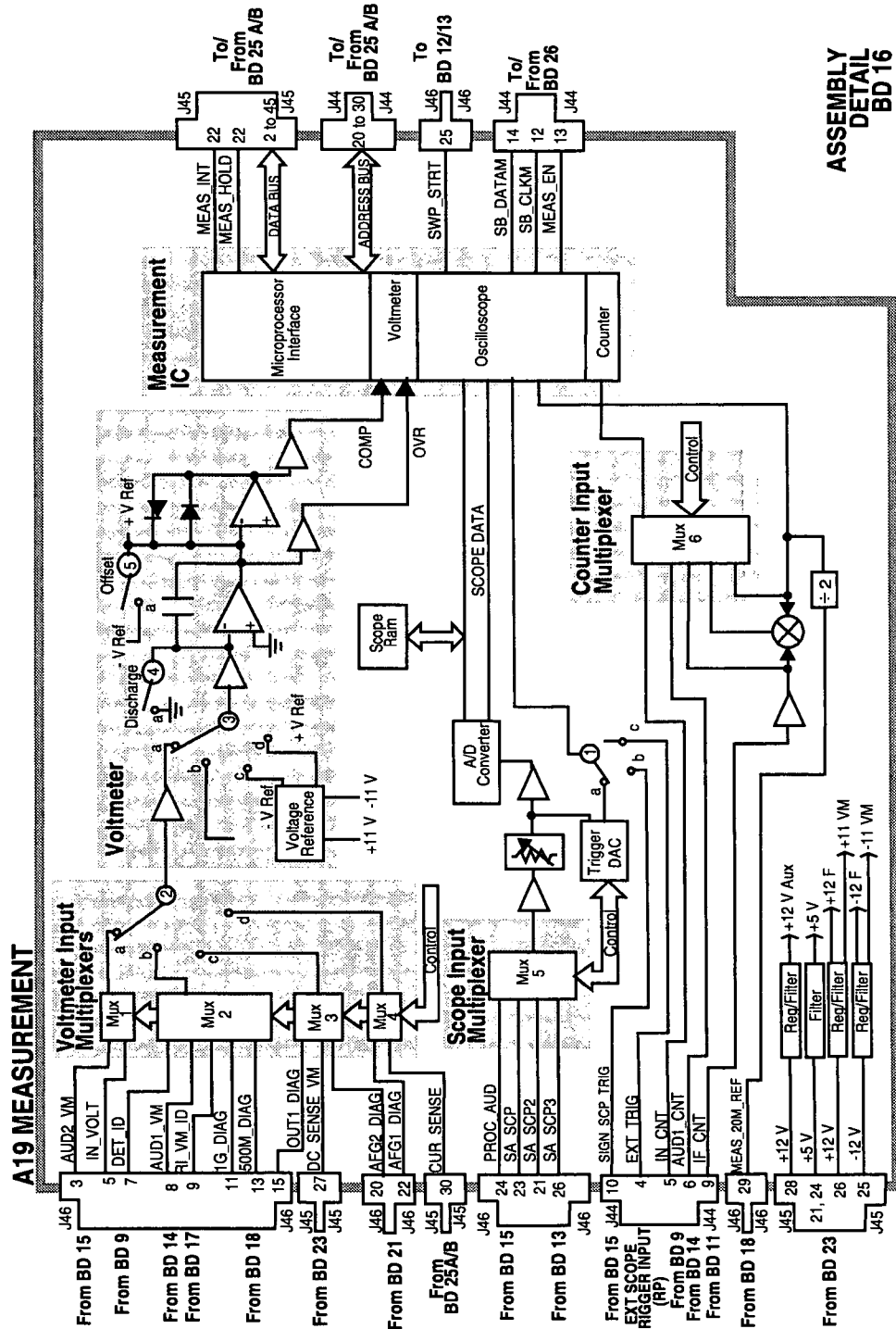
**Table 143** Switch Control BD16 A19 Measurement (Continued)

Switch No.	Switch Name	Position	Hex Value	Instrument Setting
5	Voltmeter Offset Switch	a		Done during Self Cal Every 3 Minutes
		open		Normal Position

**Table 144** I/O Specs BD16 A19 Measurement

Connector	Name	Type	Range	
			Min	Max
J46-3,5,7	All Voltmeter	Input	-5 V	+5 V
J46-8,9,11	Inputs			
J46-13,15,20				
J46-22				
J45-27,30	All Voltmeter	Input	-5 V	+5 V
	Inputs			
J46-21,23	All Scope	Input	None	10V
J46-24,26	Inputs			
J44-5	IN_CNT	Input	100 mVp	
J44-6	AUD1_CNT	Input	100 mVp	
J44-9	IF_CNT	Input	100 mVp	
J46-29	MEAS_20m_REF	Input	>+5 dBm	
J44-10	SIGN_SCP_TRIG	Input	100 mVp	
J44-4	EXT_TRIG	Input	2.5 Vp	20 Vp

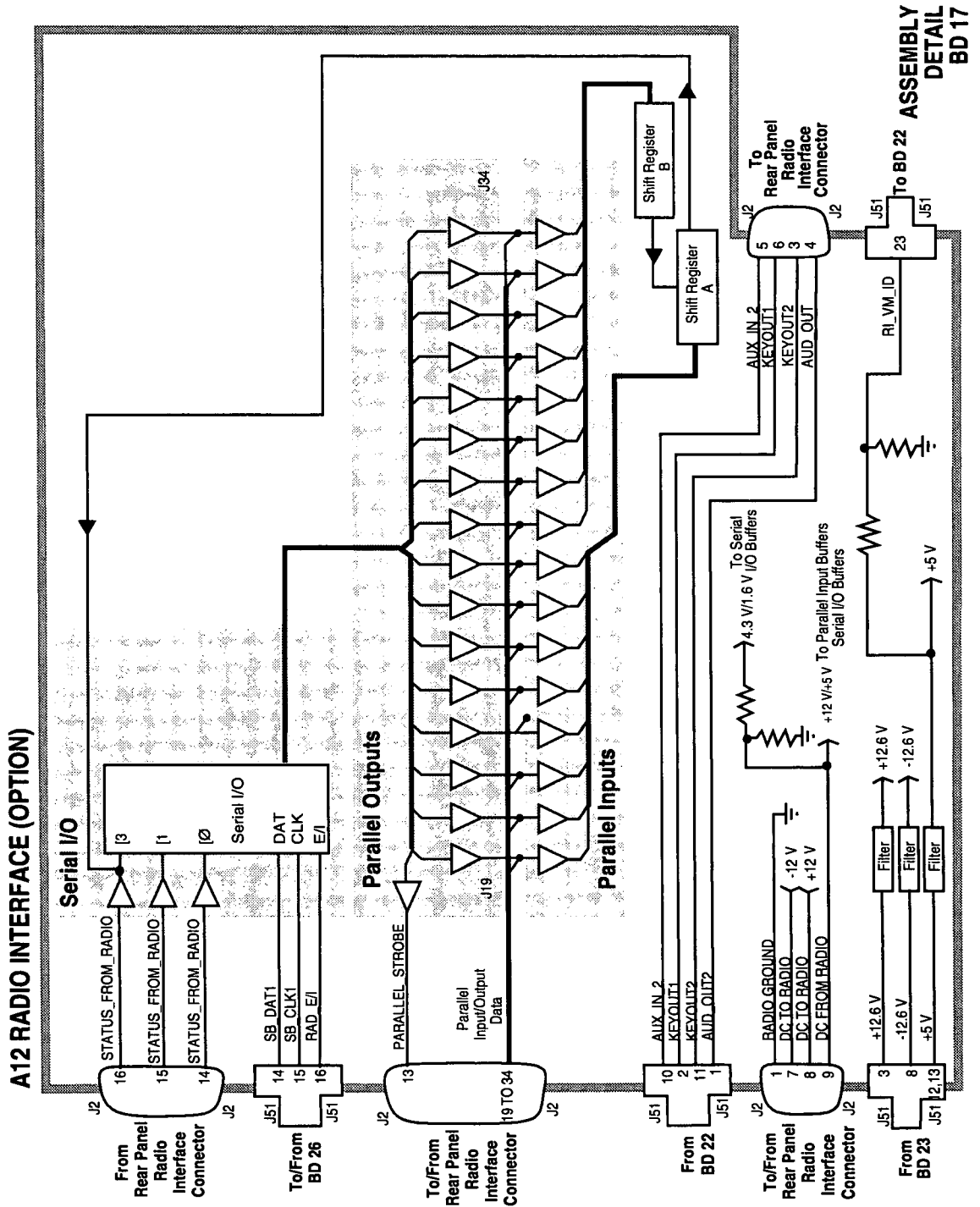




ASSEMBLY  
DETAIL  
BD 16





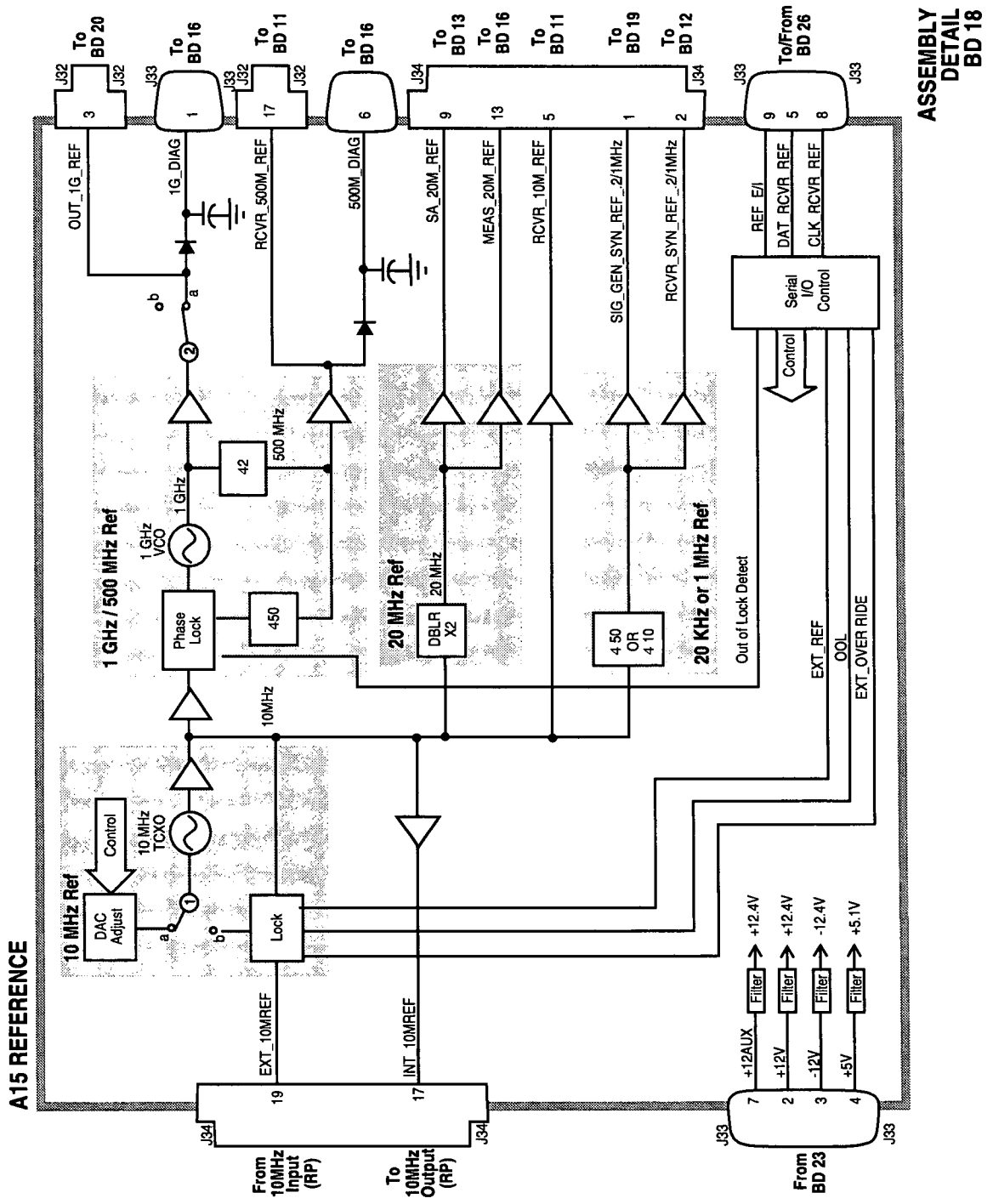


**Table 145** Switch Control BD18 A15 Reference

Switch No.	Switch Name	Position	Hexadecimal Value	Instrument Setting
1	refs_tbase_select	a	1	Normal Operation
		b	0	Automatic election if External T Base applied
2	refs_1GHz_switch	a	1	RF Generator RF Gen Freq <249 MHz
		open	0	RF Generator RF Gen Freq ≥249 MHz

**Table 146** I/O Specs BD18 A15 Reference

Connector	Name	Type	Range	
			Min	Max
J34-1	SIG_GEN_SYN_REF_2/1 MHz	Output	CMOS	CMOS
J34-2	RCVR_SYN_REF_2/1 MHz	Output	CMOS	CMOS
J34-5	RCVR_10M_REF	Output	-12 dBm	-8 dBm
J34-9	SA_20M_REF	Output	>+5 dBm	
J34-13	MEAS_S0M_REF	Output	>+5 dBm	
J34-17	INT_10MREF	Output	>+7.5 dBm	
J34-19	EXT_10MREF	Input	-2.5 dBm	+23 dBm
J32-3	OUT_1G_REF	Output	-1 dBm	+3 dBm
J32-17	RCVR_500M_REF	Output	-2 dBm	+2 dBm



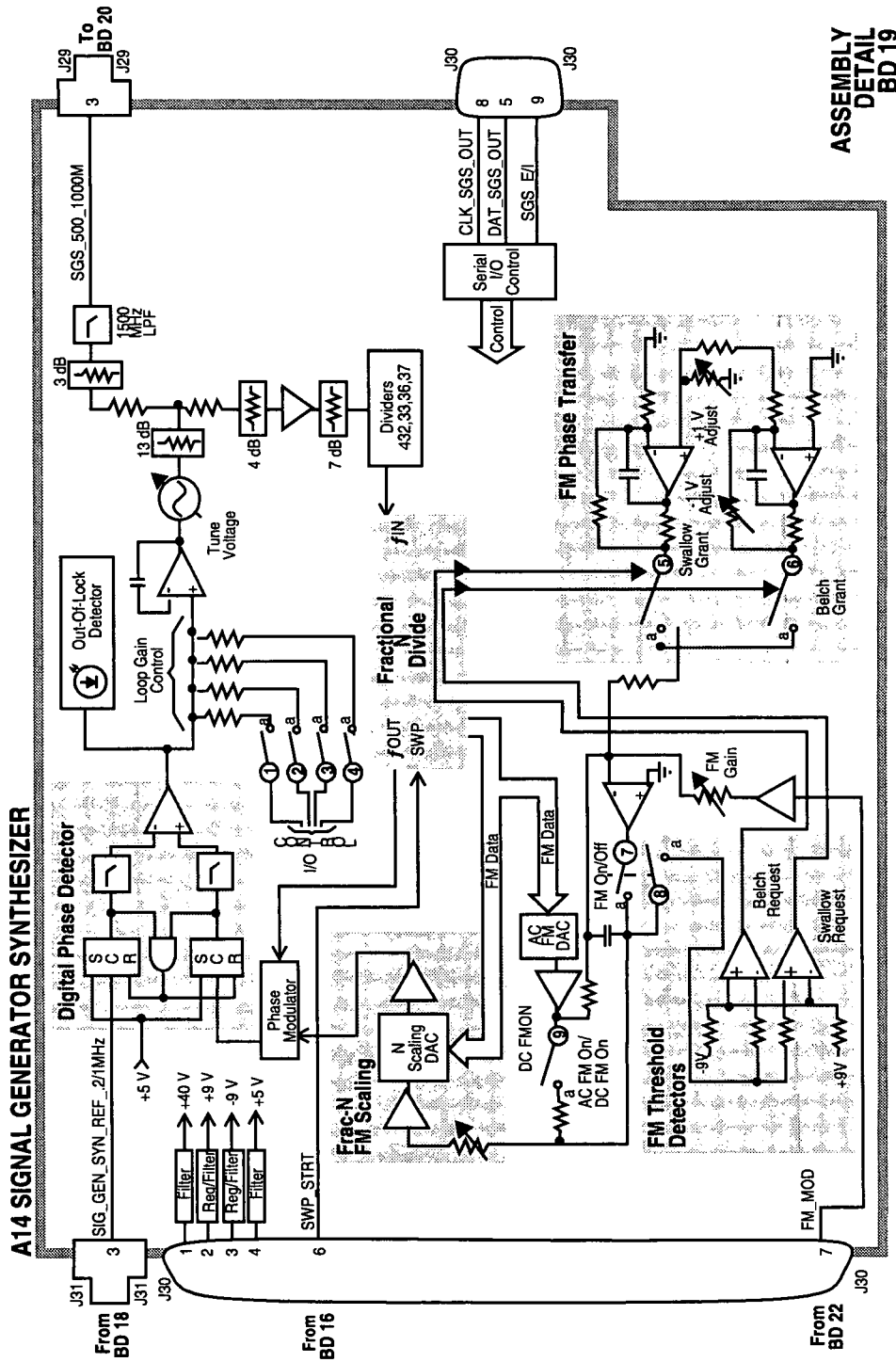
**Table 147** Switch Control BD19 A14 Signal Generator Synthesizer

Switch No.	Switch Name	Position	Hexadecimal Value	Instrument Setting
1	gsyn_gain_control	a		Note: Gain Control switches are set in either single positions or combinations according to receiver tuning frequency. Independent hexadecimal values aren't applicable.
		open		
2	gsyn_gain_control	a		
		open		
3	gsyn_gain_control	a		
		open		
4	gsyn_gain_control	a		
		open		
5	Swallow Grant	open	1	Part of FM Loop - No User Control
		a	0	Part of FM Loop - No User Control
6	Belch Grant	a	1	Part of FM Loop - No User Control
		open	0	Part of FM Loop - No User Control
7	gsyn_fm	a	1	RF Generator AF Gen1 to FM On
		open	0	RF Generator AF Gen1 to FM Off
8	gsyn_fm	a	1	RF Generator AF Gen1 to FM On
		open	0	RF Generator AF Gen1 to FM Off
9	gsyn_dc_fm_state	a	1	RF Generator FM Coupling AC
		open	0	RF Generator FM Coupling DC

**Table 148 I/O Specs BD19 A14 Signal Generator Synthesizer**

Connector	Name	Type	Range	
			Min	Max
J31-3	SIG_GEN_SYN_REF_2/1 MHz	Input	CMOS	CMOS
J30-6	SWP_STRT	Input	TTL	TTL
J30-7	FM_MOD	Input	0 Vp	4 Vp
J29-3	SGS_500_1000M	Output	-2 dBm	+2 dBm





**ASSEMBLY  
DETAIL  
BD 19**

(95081-19.DOC)



**Table 149**                      **Switch Control BD20 A13 Output**

Switch No.	Switch Name	Position	Hexadecimal Value	Instrument Setting
1	out_band_select	a	4	RF Generator RF Gen Freq to <250 MHz
		open	Not 4	RF Generator RF Gen Freq to ≥250 MHz
2	out_band_select	a	1	RF Generator RF Gen Freq to ≥500 MHz
		open	Not 1	RF Generator RF Gen Freq to <500 MHz
3	out_band_select	a	2	RF Generator RF Gen Freq to ≥250 MHz <500 MHz
		open	Not 2	RF Generator RF Gen Freq to <250 MHz ≥ 500 MHz
4	out_band_select	a	4	RF Generator RF Gen Freq to <250 MHz
		b	1	RF generator RF Gen Freq to ≥500 MHz
		c	2	RF generator RF Gen Freq to ≥250 MHz <500 MHz
5	out_det_time_cntl	a	1	RF Generator RF Gen Freq <1.5MHz
		open	2 or 3	RF Generator RF Gen Freq ≥1.5 MHz
6	out_det_time_cntl	a	2	RF Generator RF Gen Freq ≥1.5 MHz <20 MHz
		open	1 or 3	RF Generator RF Gen Freq ≥20 MHz
7	out_ALC_bw_cntl	a	2	RF Generator RF Gen Freq 1.5 MHz

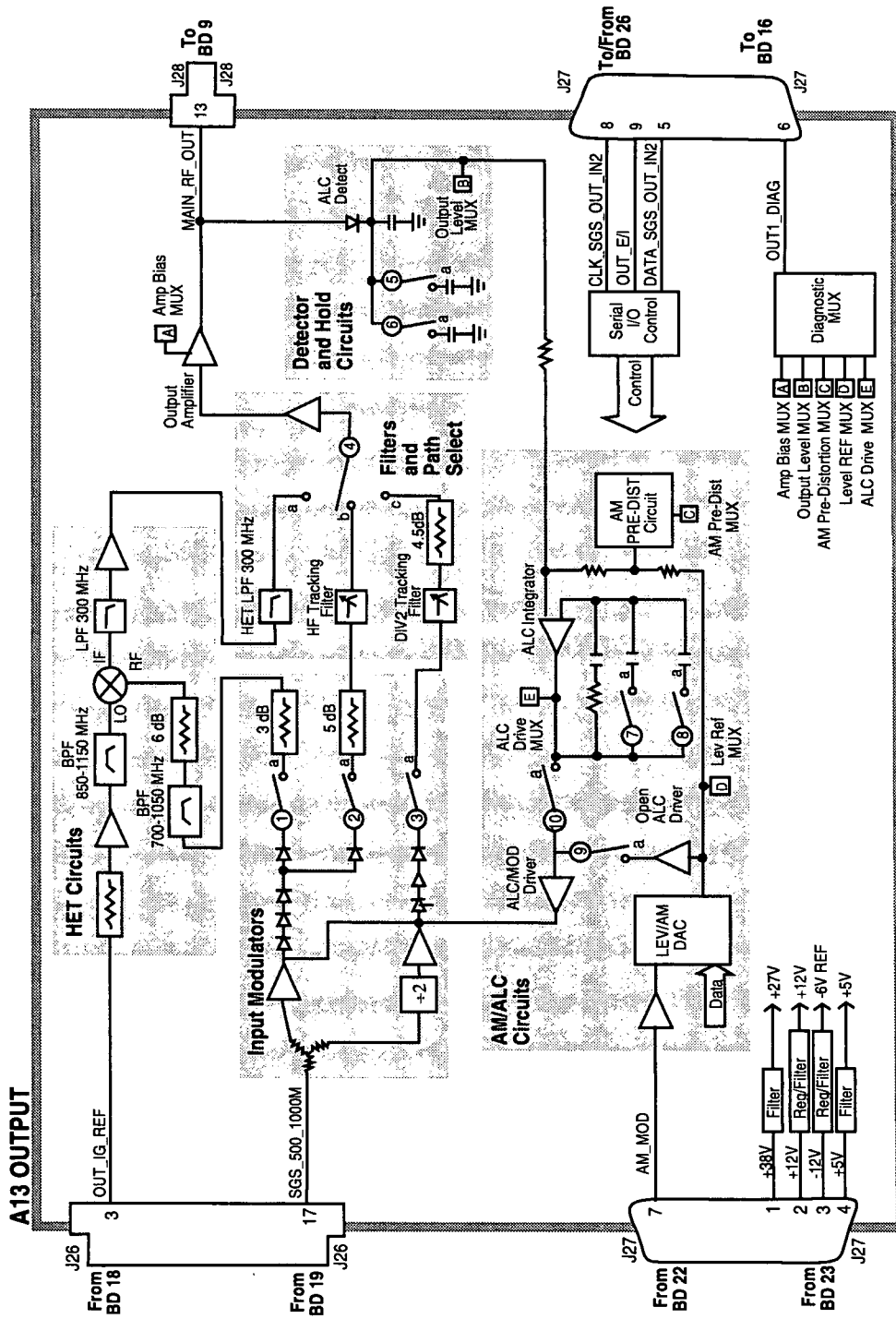
**Table 149** Switch Control BD20 A13 Output (Continued)

Switch No.	Switch Name	Position	Hexadecimal Value	Instrument Setting
		open	1	RF Generator AFGen1 to AM Off
8	out_ALC_bw_cntl	a	0	RF Generator AFGen1 to AM RF Gen Freq $\geq 1.5$ MHz
		open	1	RF Generator AFGen1 to AM Off
9	out_ALC_state	a	1	Condition Not Used in 8920 Operation
		open	0	Normal Operation
10	out_ALC_state	a	0	Normal Operation
		open	1	Condition Not Used in 8920 Operation

**Table 150** I/O Specs BD20 A13 Output

Connector	Name	Type	Range	
			Min	Max
J26-3	OUT_1G_REF	Input	-1 dBm	+3 dBm
J26-17	SGS_500_1000M	Input	-2 dBm	+2 dBm
J27-7	AM_MOD	Input	0 Vp	4 Vp
J28-13	MAIN_RF_OUT	Output	-6 dBm	+16 dBm

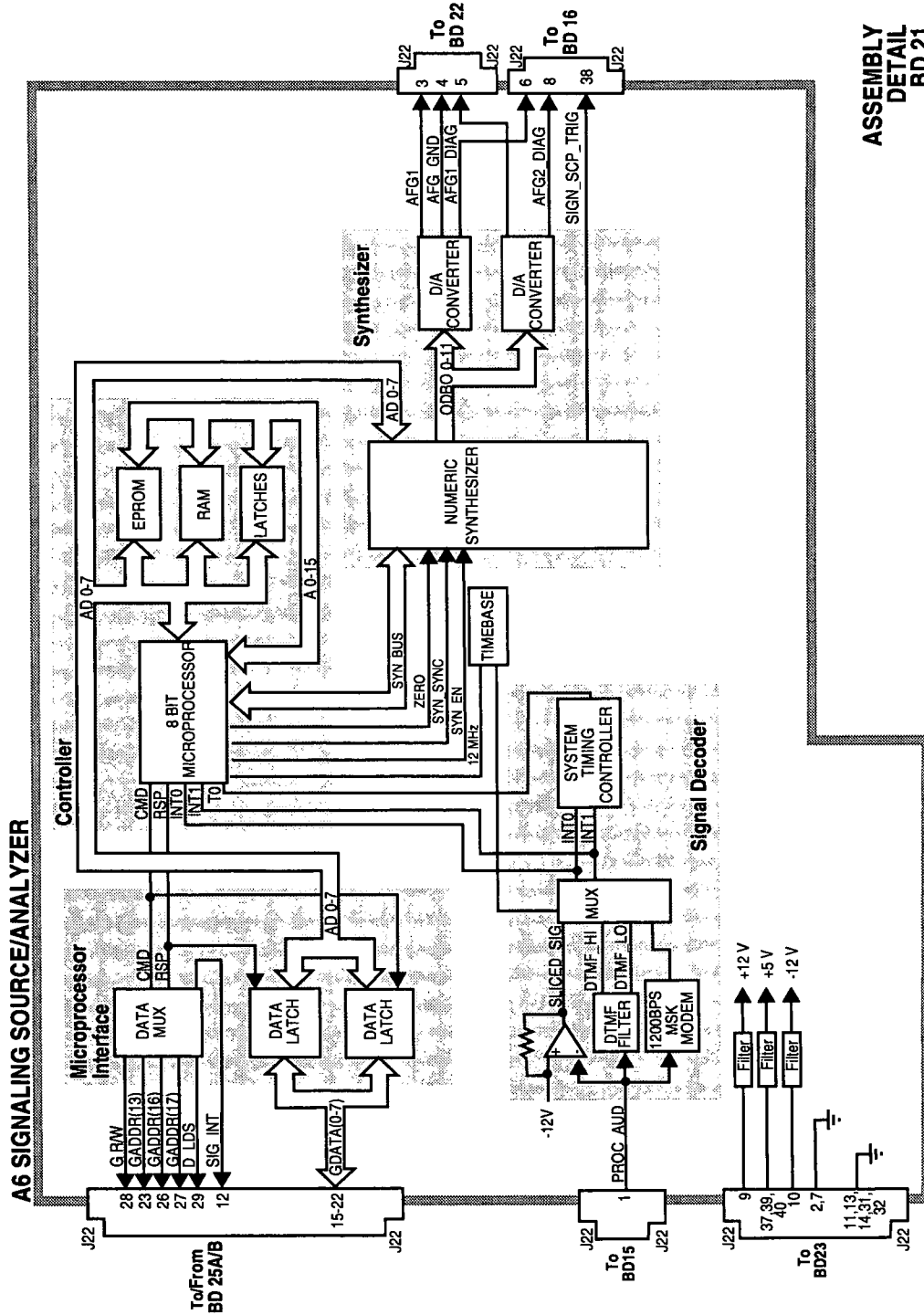




ASSEMBLY  
DETAIL  
BD 20

**Table 151** I/O Specs BD21 A6 Signaling Source/Analyzer

Connector	Name	Type	Range	
			Min	Max
J22-1	PROC_AUD	Input	.2 Vp	5 Vp
J22-3	AFG1	Output	0 Vp	2.5 Vp
J22-5	AFG2	Output	0 Vp	2.5 Vp



ASSEMBLY  
DETAIL  
BD 21

(95081-21.DOC)

**Table 152** Switch Control BD22 A4 Modulation Distribution

Switch No.	Switch Name	Position	Hexadecimal Value	Instrument Setting
1	dstr_pre_emphasis	a	1	RF Generator Mic Pre-Emp Off
		Open	0	RF Generator Mic Pre-Emp On
2	dstr_ext_mod_coupling	a	1	RF Generator FM Coupling DC
		open	0	RF Generator FM Coupling AC
3	dstr_ext_mod_to_mod	a	1	RF Generator Mod In to FM or AM
		open	0	RF Generator Mod In to Off
4	dstr_afg2_to_mod	a	0	RF Generator AFGen2 to On
		open	1	RF Generator AFGen2 to Off
5	dstr_afg1_to_mod	a	0	RF Generator AFGen1 to On
		open	1	RF Generator AFGen1 to Off
6	dstr_mod_destination	a	3	RF Generator AFGen1 to AM
		open	0	RF Generator AFGen1 to FM or Off
7	dstr_mod_destination	a	0	RF Generator AFGen2 to FM
		open	0	RF Generator AFGen2 to AM or Off
8	dstr_monitor_select	a	1	AF Analyzer AF Anl In to Mic Mod
		b	2	AF Analyzer AF Anl In to Ext
		c	3	AF Analyzer AF Anl In to FM Mod or AM Mod
		d	0	AF Analyzer AF Anl In to Audio Out
9	dstr_mod_coupling	a	1	RF Generator Audio Out to DC
		open	0	RF Generator Audio Out to AC
10	dstr_xmtr_key	a	1	TX Test Ext TX Key On
		open	0	TX Test Ext TX Key Off
11	dstr_mod_polarity	a	1	RF Generator RF Gen Freq < 249 MHz
		0	0	RF Generator RF Gen Freq ≥ 249 MHz

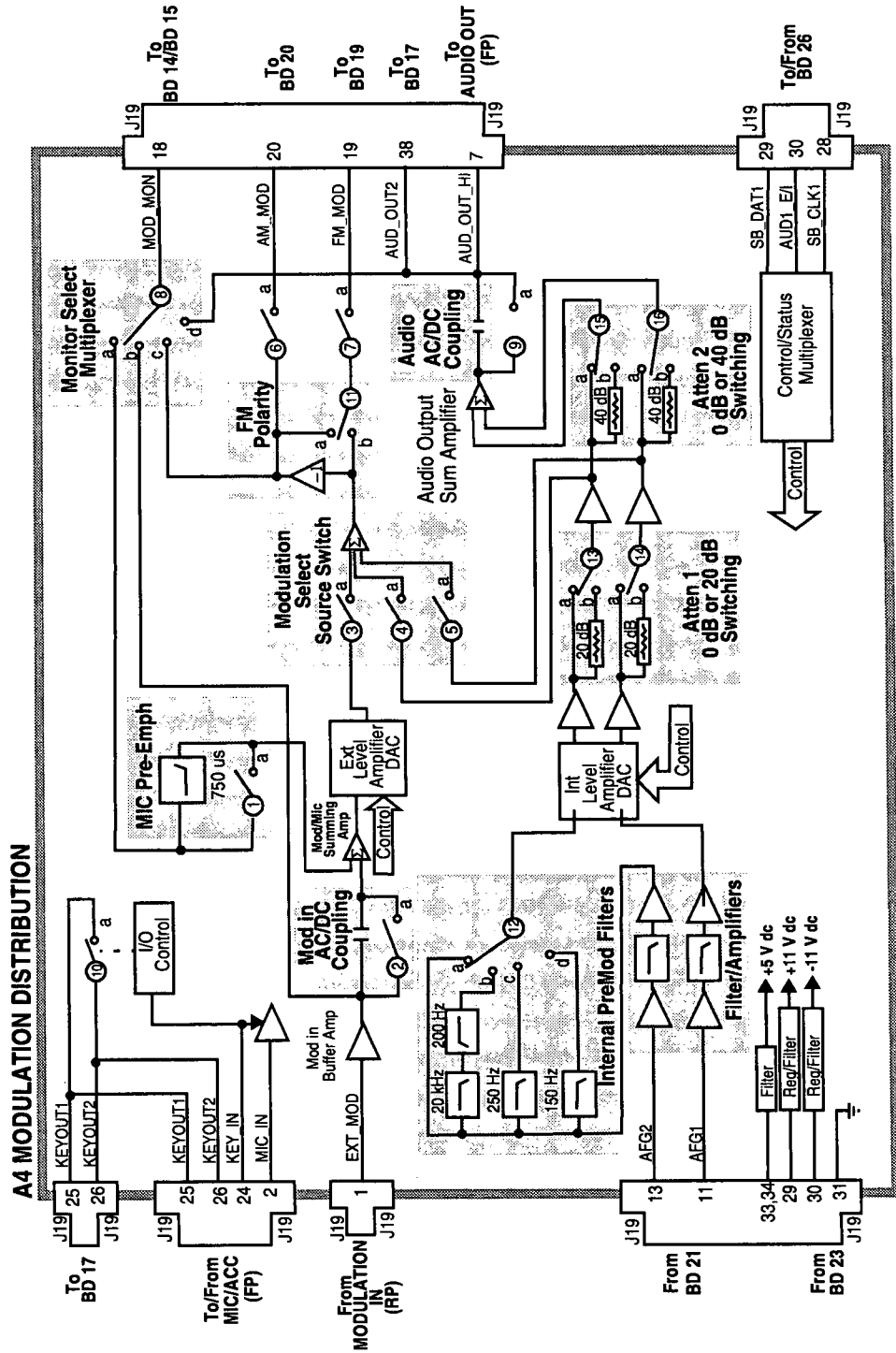
**Table 152**                      **Switch Control BD22 A4 Modulation Distribution (Continued)**

Switch No.	Switch Name	Position	Hexadecimal Value	Instrument Setting
12	dstr_premod_filter	a	0	Encoder Mode to Amps-Tacs, Channel to Voice
		b	1	Encoder Mode to Amps-Tacs, Channel to Cntl
		c	2	Encoder Mode to NAmps-NTacs, Channel to Voice
		d	3	Encoder Mode to LTR
13	dstr_afg2_1_atten	a	0	RF Generator AFGen2 to AM >10 or FM > 10 kHz
		b	1	RF Generator AFGen2 to AM ≤10 or FM ≤10 kHz
14	dstr_afg1_1_atten	a	0	RF Generator AFGen1 to AM >10 or FM > 10 kHz
		b	1	RF Generator AFGen1 to AM ≤10 or FM ≤10 kHz
15	dstr_afg2_2_atten	a	1	RF Generator AFGen2 to Audio Out >72 mV
		b	2	RF Generator AFGen2 to Audio Out ≤72 mV
16	dstr_afg1_2_atten	a	1	RF Generator AFGen1 to Audio Out > 72 mV
		b	2	RF Generator AFGen2 to Audio Out ≤72 mV



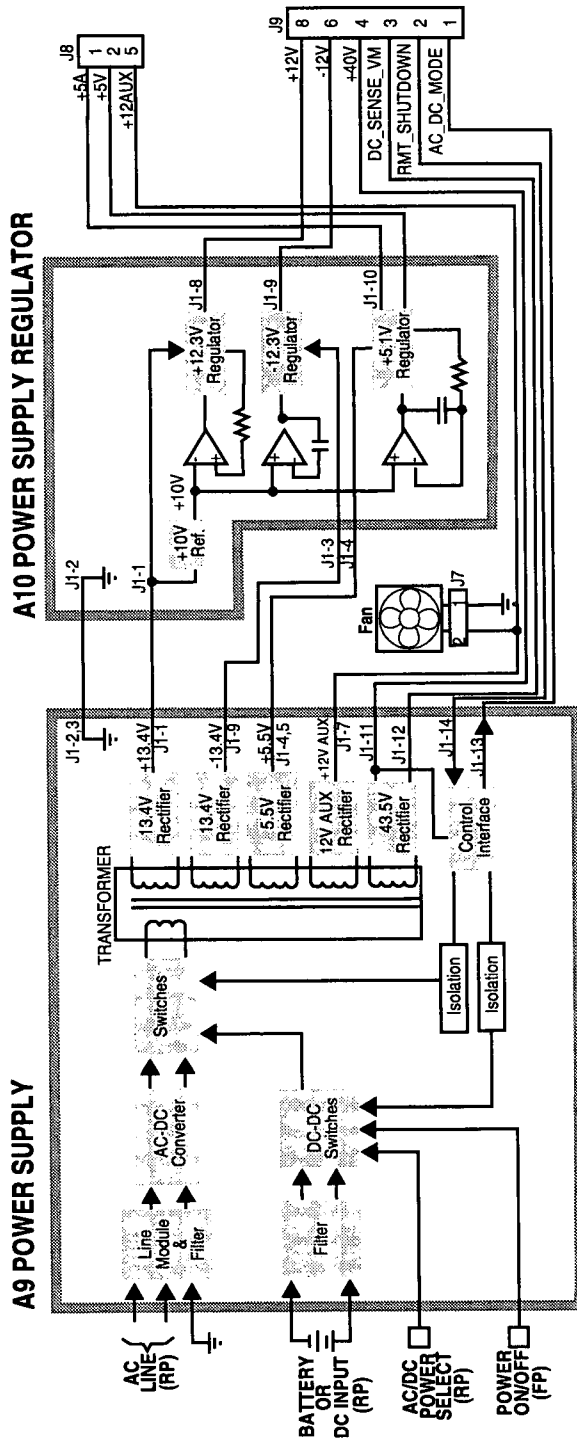
**Table 153 I/O Specs BD22 A4 Modulation Distribution**

Connector	Name	Type	Range		Connector	Name	Type	Range	
			Min	Max				Min	Max
J19-2	MIC_IN	Input	0 Vp	10 Vp	J19-20	AM_M OD	Out- put	0 Vp	4 Vp
J19-1	EXT_MOD	Input	0 Vp	12 Vp	J19-19	FM_M OD	Out- put	0 Vp	4 Vp
J19-11	AFG1	Input	0 Vp	2.5 Vp	J19-7	AUD_ OUT_H I	Out- put	0 Vrms	5 Vrms
J19-13	AFG2	Input	0 Vp	2.5 Vp	J19-38	AUD_ OUT2	Out- put	0 Vrms	5 Vrms
J19-18	MOD_MO N	Out- put	0 Vp	12 Vp					



ASSEMBLY  
DETAIL  
BD 22

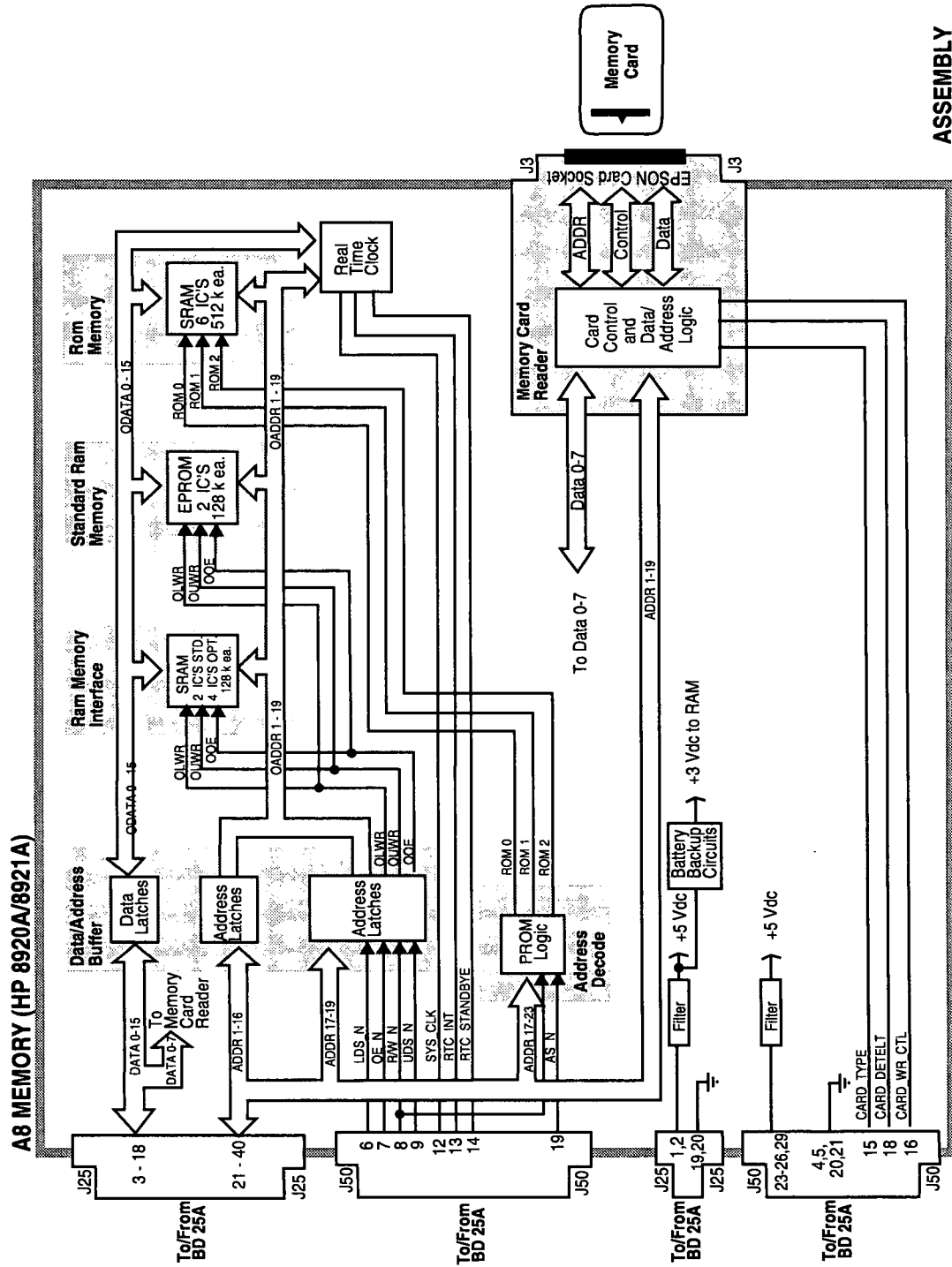




ASSEMBLY  
DETAIL  
BD 23

(95081-23.DOC)

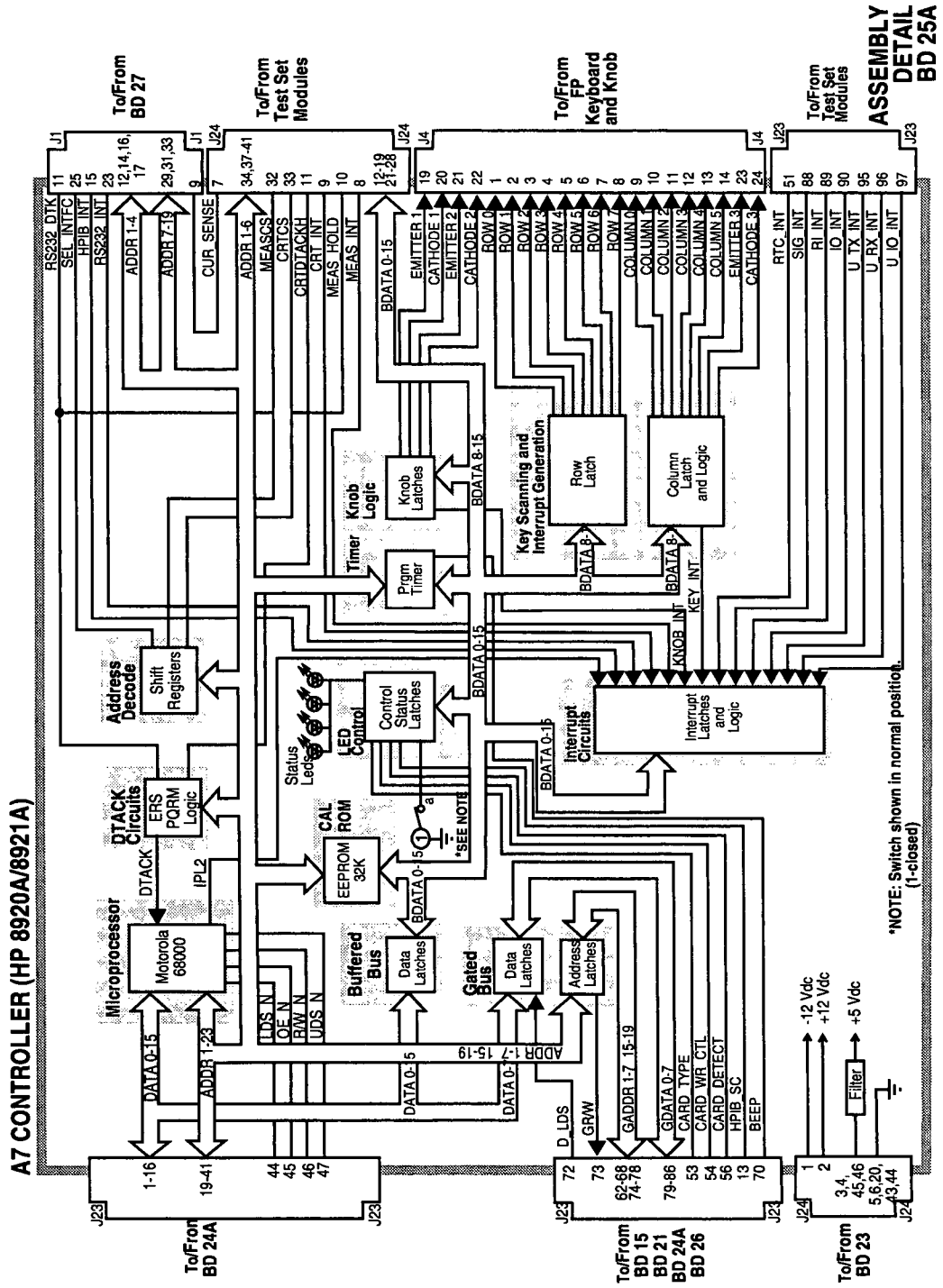




ASSEMBLY  
DETAIL  
BD 24A

**Table 154**                      **Switch Control BD25A A7 Controller**

<b>Switch No.</b>	<b>Switch Name</b>	<b>Position</b>	<b>Hexadecimal Value</b>	<b>Instrument Setting</b>
1	Write Protect/ Unprotect	a		Manually Switched to Unprotected
		open		Manually Switch to Protected

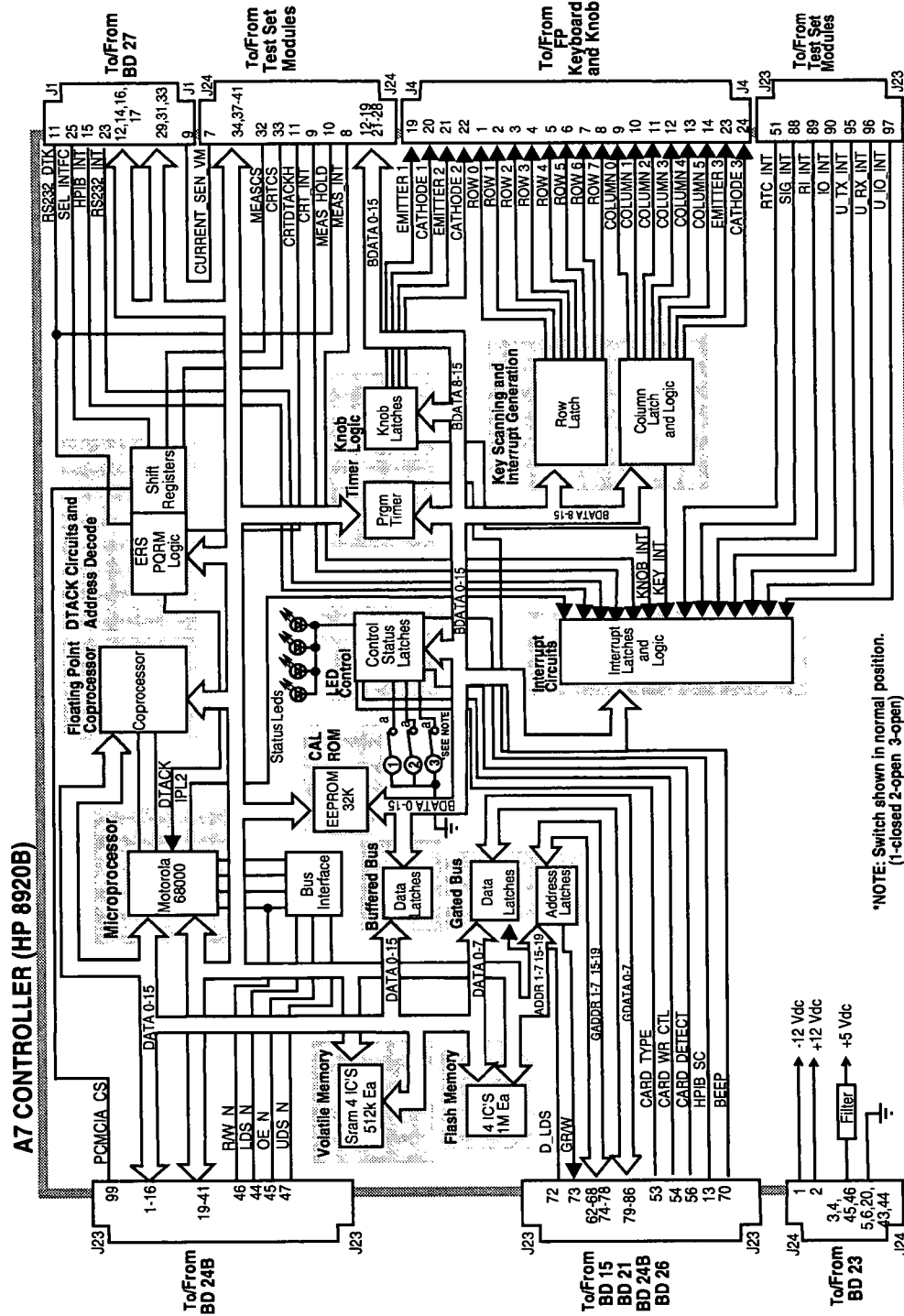




**Table 155**                      **Switch Control BD25B A7 Controller**

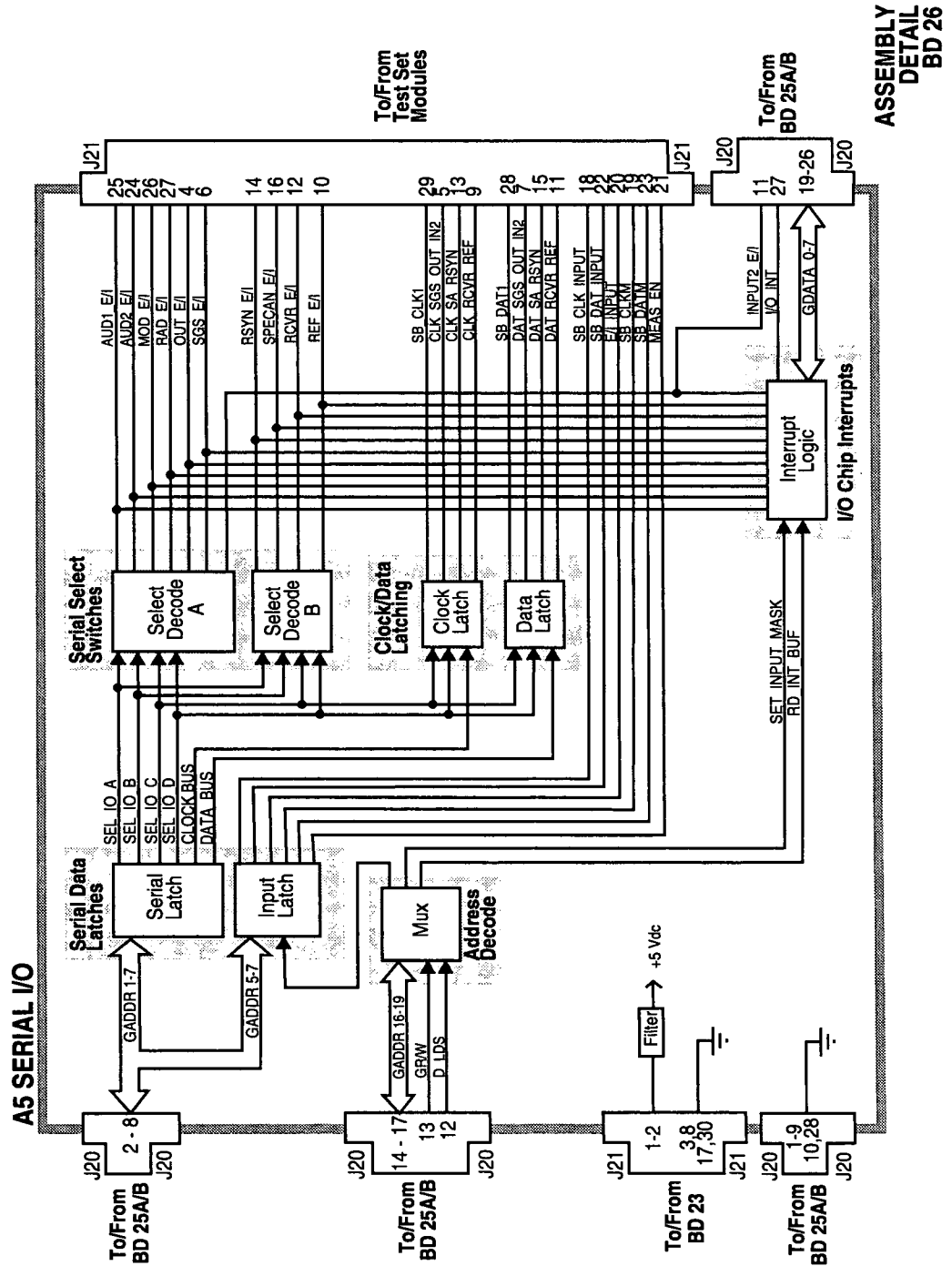
<b>Switch No.</b>	<b>Switch Name</b>	<b>Position</b>	<b>Hex Value</b>	<b>Instrument Setting</b>
1	Write Protect/ Unprotect	a		Manually Switched to Unprotected
		open		Manually Switch to Protected
2 <sup>a</sup>	Smart Card Type	a		Manually Switched to Epson Type Reader
		open		Manually Switched to PCMCIA Type Reader
3 <sup>b</sup>	Memory Type	a		Manually Switched to One Time Programmable ROM
		open		Manually Switched to Flash ROM

- a. In 8920B application switch 2 and 3 must be in open position.
- b. In 8920B application switch 2 and 3 must be in open position.



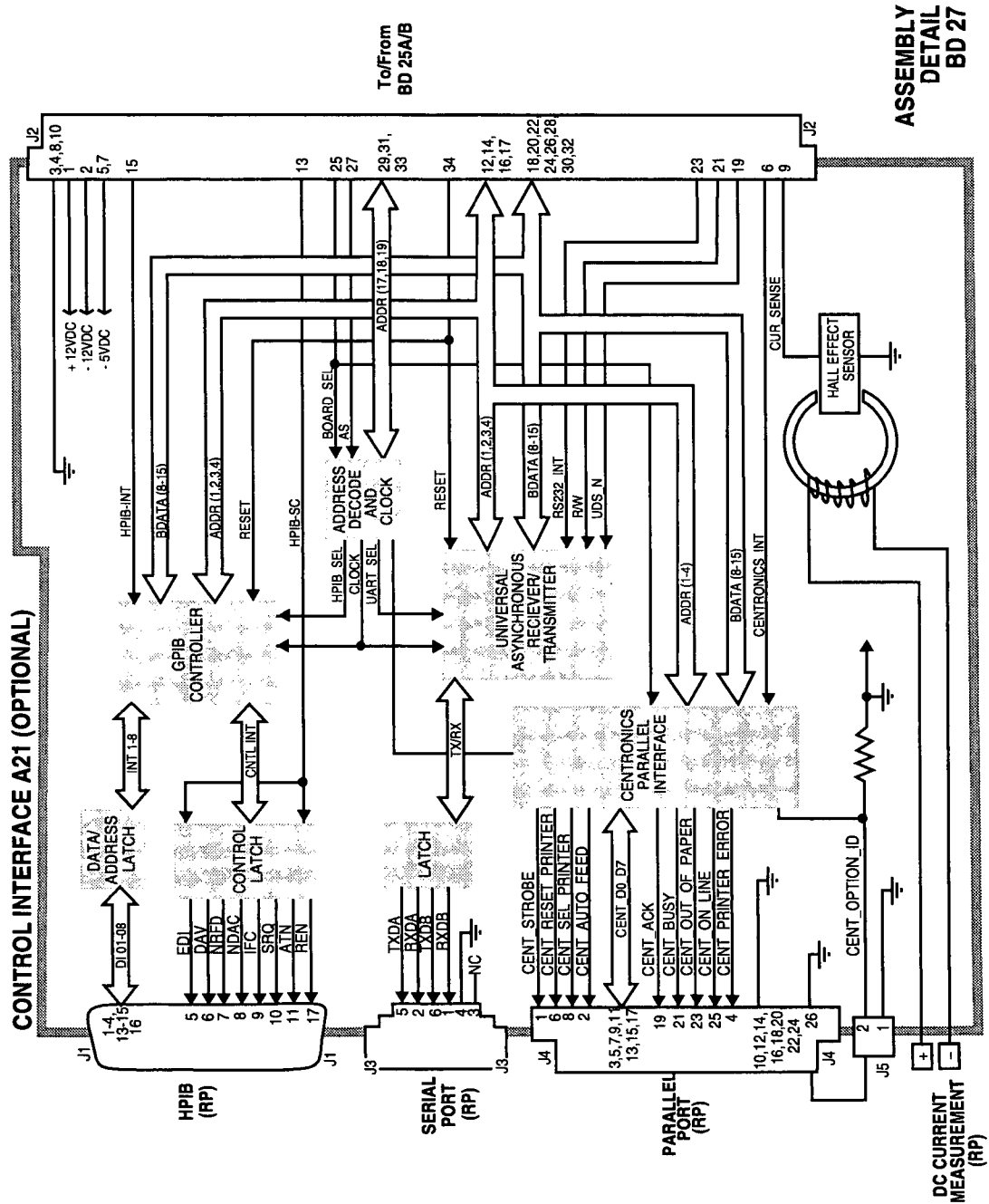
ASSEMBLY  
DETAIL  
BD 25B  
(9508-25B.DOC)





ASSEMBLY  
DETAIL  
BD 26











---

**Replaceable Parts**

---

## Introduction

In the U.S. you can order replacement parts by phone. There are two ways to do this. If your Test Set is under warranty you can use the Self-Support program to obtain replacement parts. The other method is to order the part directly. Outside the U.S. contact your local Hewlett-Packard Sales and Service office

---

## Self-Support Program

For U.S. customers that wish to repair their own Test Sets, a special toll-free number (1 800 827 3848) is now available for hardware troubleshooting assistance. This is a special service specifically designed for Hewlett-Packard customers that repair their own Test Sets. For a Test Set under warranty, there is no charge for troubleshooting assistance, and repair parts covered under warranty will be sent directly to the customer. If the Test Set is out of warranty, there will be a charge for parts.

## Direct Parts Ordering

Call Hewlett-Packard parts specialists at 1 800 227 8164. They can help you identify parts and can also take your order.

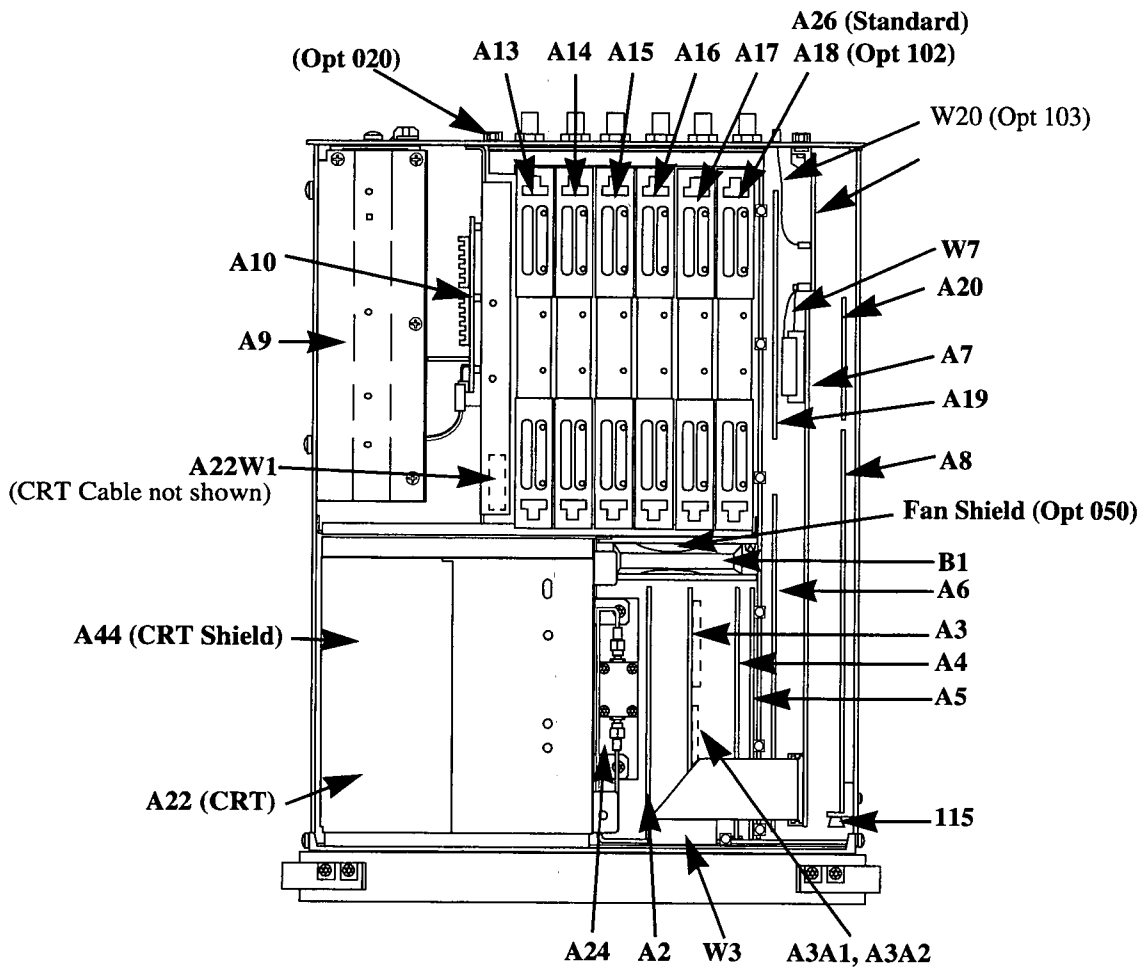
## Assembly Replacements

With some assemblies you will receive a Memory Card that contains factory-generated calibration data for that assembly. There will also be an instruction sheet for loading the calibration data into your Test Set after you've replaced the assembly.

A table, *Relating Assemblies To Troubleshooting Aids*, at the beginning of chapter 3 - *Repair* shows which assemblies need calibration data as well as which performance tests and periodic self-calibration adjustments are recommended after replacing an assembly.

---

**HP 8920A Replaceable Parts List**



**Figure 23** Major Assemblies and Cables, Top View

**Table 156 HP 8920A Replaceable Parts**

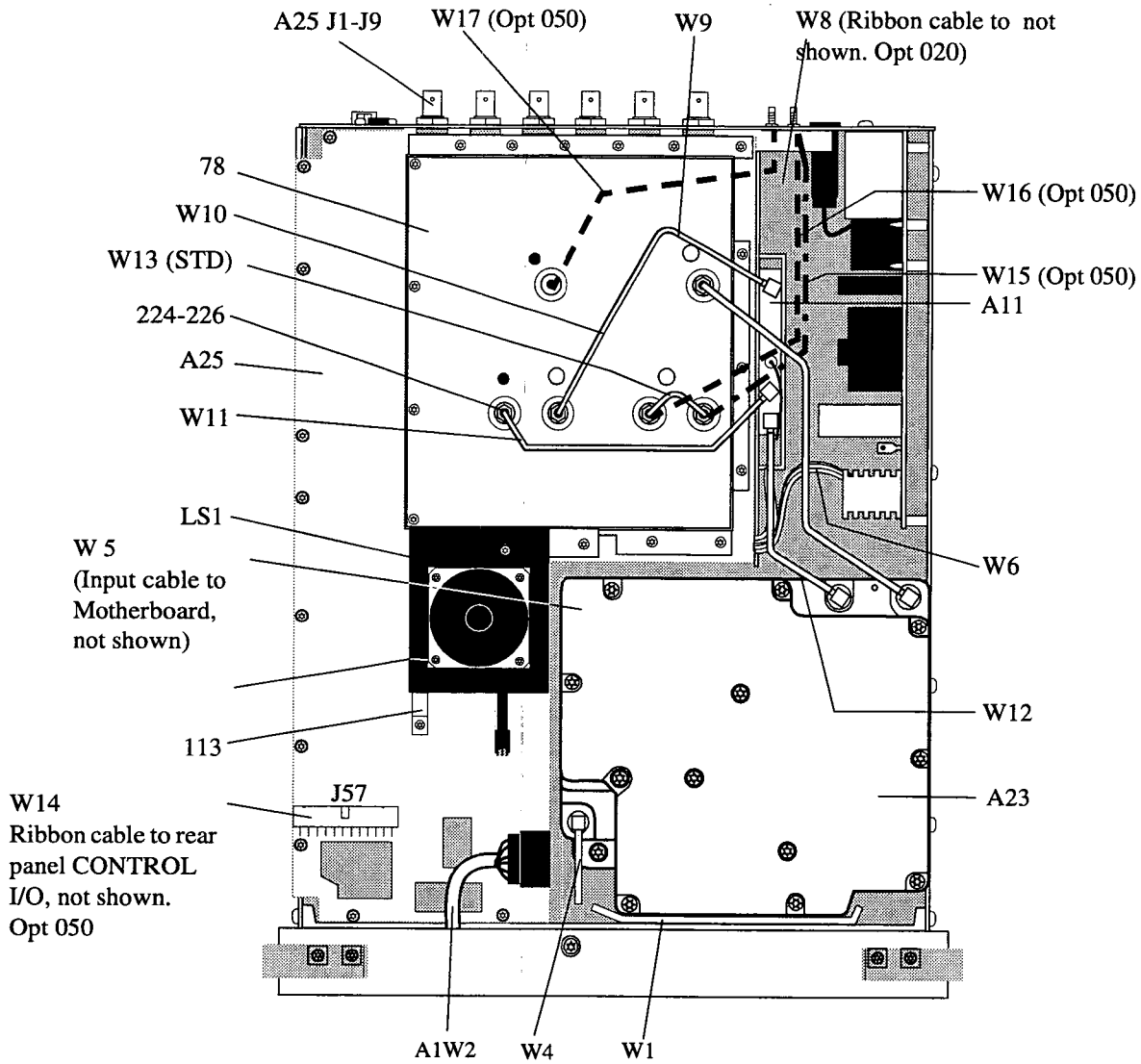
Item	Description	Replacement Kit or Part Number
A2	AUDIO ANALYZER 2 (STD)	08920-61812
A2	AUDIO ANALYZER 2 (VNF) (Opt 019)	08920-61853
A3	AUDIO ANALYZER 1	08920-61811
A3A1 or A3A2	400 Hz HP FILTER (Opt 010)	08920-61054
A3A1 or A3A2	CCITT FILTER (Opt 011)	08920-61055
A3A1 or A3A2	4 kHz BP FILTER (Opt 012)	08920-61062
A3A1 or A3A2	C-MESSAGE FLTR (Opt 013)	08920-61056
A3A1 or A3A2	6 kHz BP Filter (Opt 014)	08920-61063
A4	MODULATION DISTRIBUTION	08920-61809
A5	SERIAL I/O CONTROL	08920-61839
A6	SIGNALING SOURCE ANALYZER (Std)	08920-61849
A6	SIGNALING SOURCE ANALYZER (Opt 004)	08920-61850
A7	CONTROLLER (DCU)	08920-61807
A8	EPROM MEMORY STD (for serial prefix <3550, except R40)	08920-61865
A8	OTP MEMORY STD (for serial prefix ≥3550, or R40)	08920-61869
A8	EPROM MEMORY OPT. 005 (for serial prefix <3550, except R40)	08920-61866
A8	OTP MEMORY OPT. 005 (for serial prefix ≥3550, or R40)	08920-61869
FW	EPROM FIRMWARE KIT (for serial prefix <3550, except R40)	08920-61058
FW	OTP FIRMWARE KIT (for serial prefix ≥3550, or R40)	08920-61870
A9	POWER SUPPLY	08920-61815

**Table 156 HP 8920A Replaceable Parts (Continued)**

Item	Description	Replacement Kit or Part Number
A10	POWER SUPPLY REGULATOR	08920-61856
A12	RADIO INTERFACE (Opt 020)	08920-61825
A13	RF OUTPUT	08920-61831
A14	SIG GEN SYNTHESIZER (STD)	08920-61830
A14	SIG GEN SYNTHESIZER (Opt 050)	08921-61819
A15	REFERENCE (STD)	08920-61829
A15	REFERENCE (Opt 001 or Opt 050)	08920-61835
A16	RECEIVER	08920-61828
A17	RECEIVER SYNTHESIZER (STD)	08920-61827
A17	RECEIVER SYNTHESIZER (Opt 050)	08921-61820
A18	SPECTRUM ANALYZER (Opt 002 or Opt 102)	08920-61852
A19	MEASUREMENT	08920-61836
A20	DISPLAY PROCESSOR	08920-61824
A21	HP-IB/RS-232/CURRENT SENSE (Opt 003 or Opt 103)	08920-61818
A22	DISPLAY (CRT)	08920-61005
A22-W1	CABLE ASSEMBLY	08920-61020
A24	HIGH POWER ATTENUATOR	08920-61810
A24	4dB ATTENUATOR (Opt 008)	08920-61848
A24	0 dB ATTENUATOR (Opt 007) CABLE ONLY	08920-61066
A26	TERMINATOR (Except Opt 002 or Opt 102)	08920-60140
B1	FAN	3160-0597
	FAN SHIELD (Opt 050)	08921-00003
W3	RBN26CNDCT28AWG	08645-61027

**Table 156**                      **HP 8920A Replaceable Parts (Continued)**

<b>Item</b>	<b>Description</b>	<b>Replacement Kit or Part Number</b>
W7	RIBBON CABLE, DCU-HP-IB	08920-61018
W20	CENTRONICS PRNTR CABLE (Serial Prefix ≤3501 Only)	08920-61146
44	CRT SHIELD	08920-00043
115	PRE-GUIDE SMT CD (P/O A8)	08920-40018



**Figure 24** Major Assemblies and Cables, Bottom View



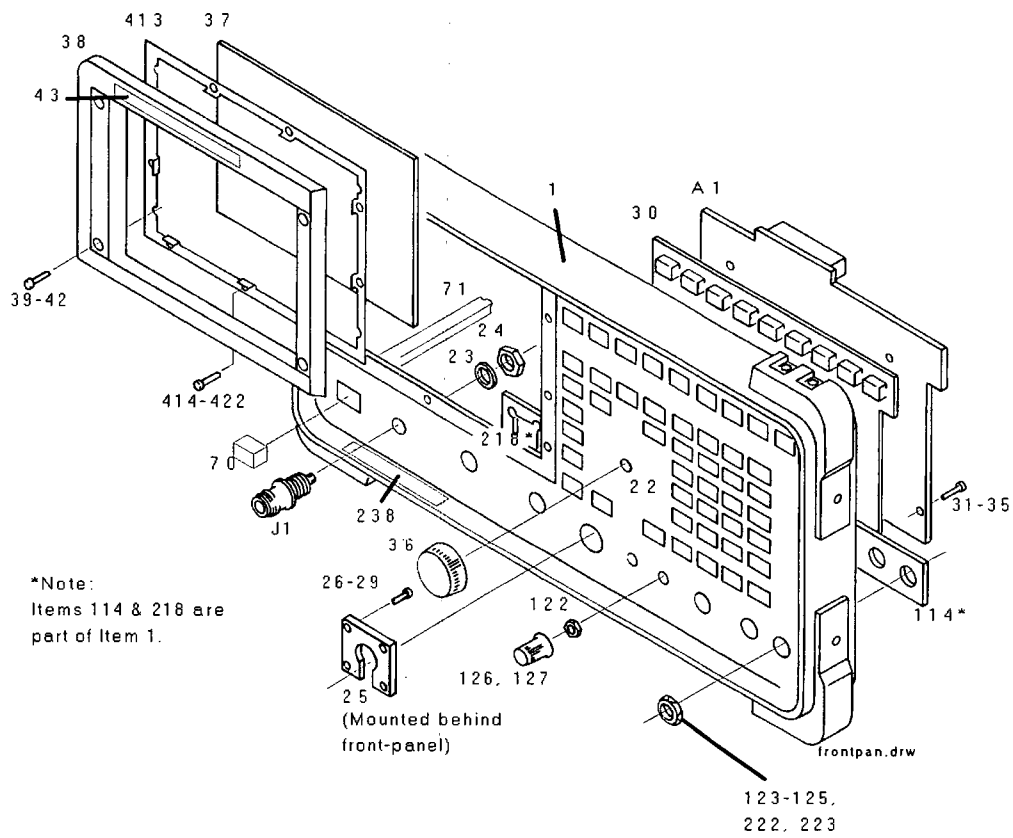
**Table 157 HP 8920A Replaceable Parts**

Item	Description	Replacement Kit or Part Number
A11	RECEIVER MIXER	08920-61832
A23	INPUT SECTION (For serial prefix < 3501)	08920-61804
A23	INPUT SECTION (For serial prefix ≥3501)	08920-61874
A25	MOTHERBOARD	08920-60428
A25 J1-J9	BNC (AUDIO IN, ect.)	1250-1842
A1W2	CBL CABLE FRONT PANEL	08920-61007
LS1	SPEAKER ASSEMBLY	08920-61025
W1	SR 2.18 SMA-SMA (STD or Opt 008)	08920-61012
W1	CABLE ASSY-SR (For Opt 007)	08920-61066
W4	SR CABLE HEAT SINK (STD or Opt 008)	08920-61013
W4	For Opt 007	08920-61066
W5	RIBBON CABLE	08920-61017
W6	CABLE ASSEMBLY-POWER SUPPLY	08920-61019
W7	RIBBON CABLE, DCU TO HP-IB	08920-61018
W8	CABLE ASSEMBLY (OPT. 020)	08920-61039
W9	SEMI-RIGID CABLE-SIG GEN OUT	08920-61014
W10	SEMI-RIGID CABLE-REC IN	08920-61015
W11	SR REC SYNTH - REC MIX	08920-61033
W12	SR INPUT - REC MIX	08920-61034
W13	SEMI-RIGID, JUMPER (STD) A25J55 to A25J56	08920-61076
W14	RIBBON CABLE (Opt 050) A25J57 to CONTROL I/O (Rear Panel)	08921-61004
W15	SEMI-RIGID SMC-NONE (Opt 050) A25J56 to IQ RF IN (RearPanel)	08921-61001

**Table 157**                      **HP 8920A Replaceable Parts (Continued)**

<b>Item</b>	<b>Description</b>	<b>Replacement Kit or Part Number</b>
W16	SEMI-RIGID SMC -NONE (Opt 050) A25J55 to CW RF OUT (Rear Panel)	08921-61002
W17	SEMI-RIGID SMC-NONE (Opt 050) A25J54 to 114.3 MHz OUT (Rear Panel)	08921-61003
W19	CA ASSY HEAD PHON	08921-61042
78	MOTHER BD COVER	08920-00110
105-108	SCREW-MACH M3 X 0.5 6MM-LG PAN-HD	0515-0680
113	SPEAKER BRACKETT AY	08920-61045
224-226	NUT-HEX DBL-CHAM M5 X 0.8 2.5 MM-THK	0535-0109





**Figure 25**      **Front Panel**

**Table 158**                      **HP 8920A Replaceable Parts**

Item	Description	Replacement Kit or Part Number
A1	KEY BOARD	08920-60201
J1	ADPT F N	1250-1811
1	FRAME FRONT	08920-21022
22	PANEL DRESS	08920-00018
23	WASH LOCK .50ID	2190-0068
24	NUT HEX 1/2-28	2950-0054
25	P/O A1W2	08920-61007
26-29	SCREW-MACH ASSEMBLY M3 X 0.5 6MM-LG	0515-2126
30	KEYPAD	08920-40001
31-35	SCREW-MACH ASSEMBLY M3 X 0.5 6MM-LG	0515-2126
36	KNOB BASE 1-1/8 JGK .25 IN.ID	0370-2110
37	WINDOW CRT FLTR	08920-21023
38	BEZEL,CRT	08920-40003
39-42	SCREW-MACH M3 X 0.5 10MM-LG	0515-2135
43	NAMEPLATE	08921-00001
70	KEY CAP "POWER"	5041-0944
71	PUSHROD	08920-40005
122	NUT HEX 1/4-36	2950-0196
123-125	NUT HEX 1/2-28	2950-0054
126,129	KNOB CONC BASE	0370-3079
222-223	NUT HEX 1/2-28	2950-0054
238	CAUTION LABEL	08920-00063
413	CLIP WINDOW	08920-00074
414-422	SMM2.5 6PCHPNTX	0515-1753

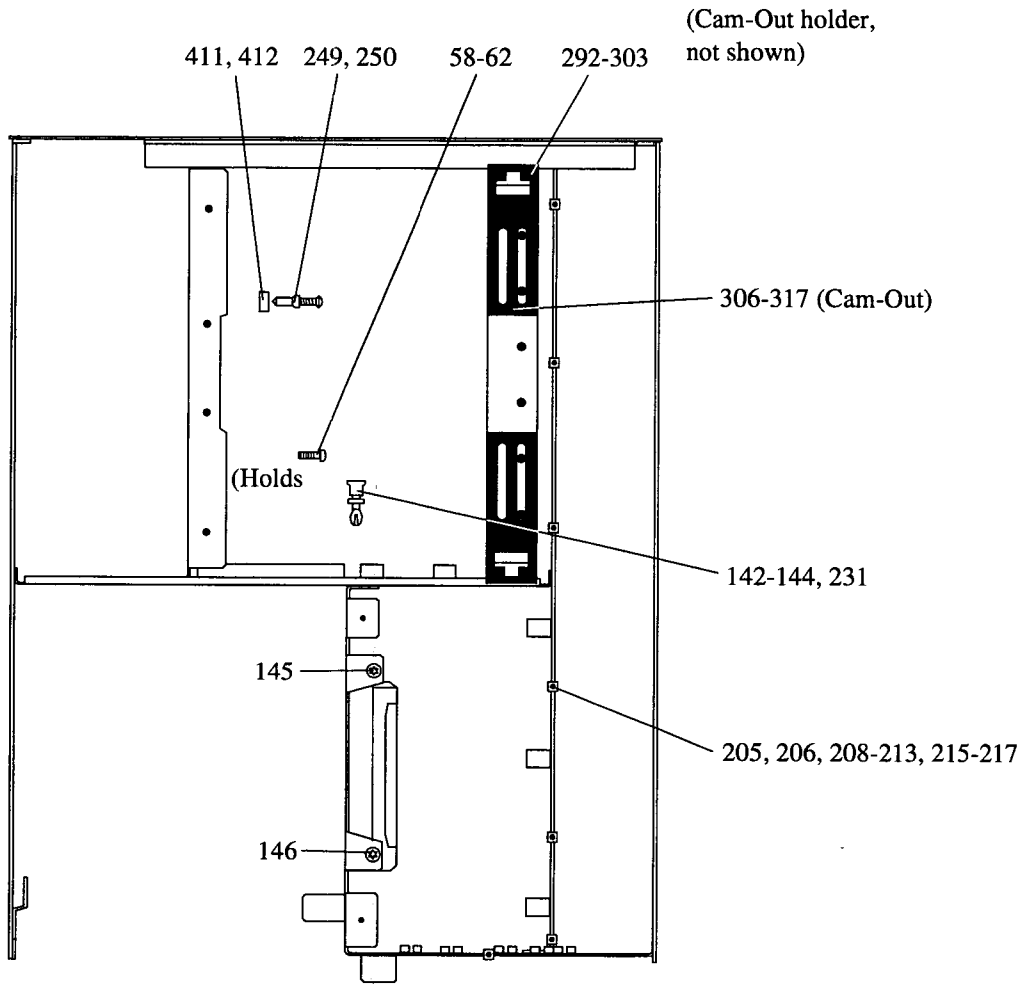
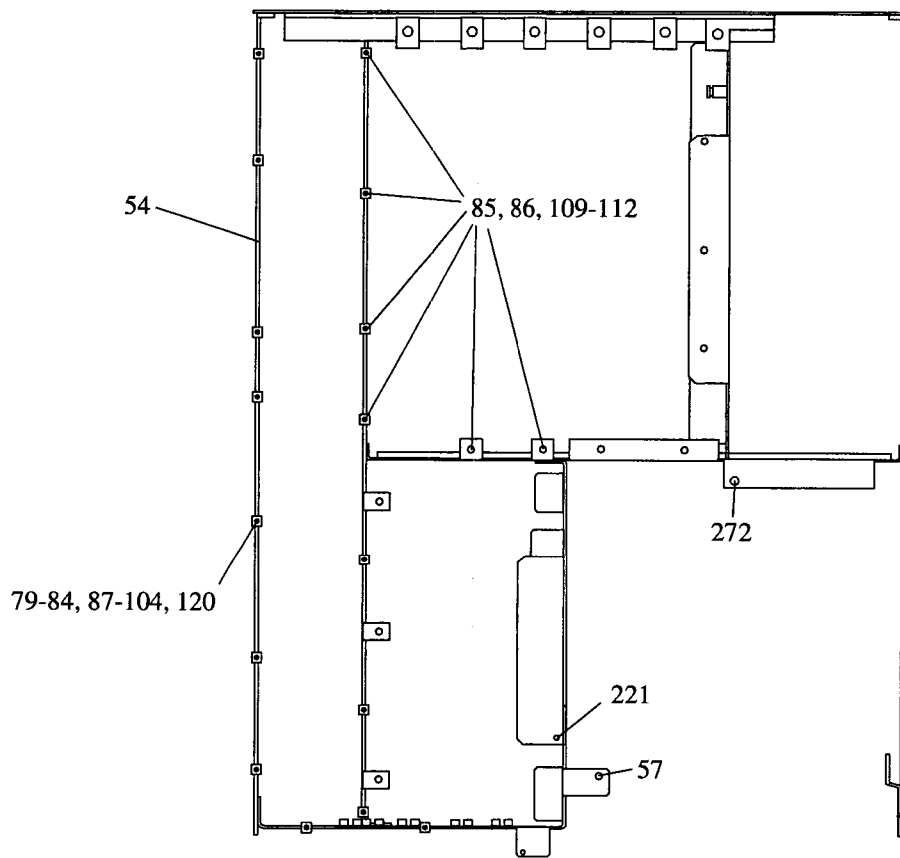


Figure 26 Attaching Hardware, Top View

**Table 159 HP 8920A Replaceable Parts**

Item	Description	Replacement Kit or Part Number
58-62	SMM3.0 SSEMPNTX	0515-1950
142-144	RIVET PLASTIC FLH	0361-1341
145-146	SCREW-MACH M4 X 0.7 6MM-LG PAN-HD	0515-2143
205,206	SCREW-MACH ASSBLY M3 X 0.5 8MM-LG	0515-1950
208-213	SCREW-MACH ASSBLY M3 X 0.5 8MM-LG	0515-1950
215-217	SCREW-MACH ASSBLY M3 X 0.5 8MM-LG	0515-1950
231	RIVET PLASTIC	0361-1341
249,250	RIVET-PLASTICOVH .187 DIA 6LG	0361-1338
292-303	CAM-OUT HOLDER	08920-40016
306-317	CAM-OUT	08920-40009
411-412	WSH FL .190ID	3050-1353

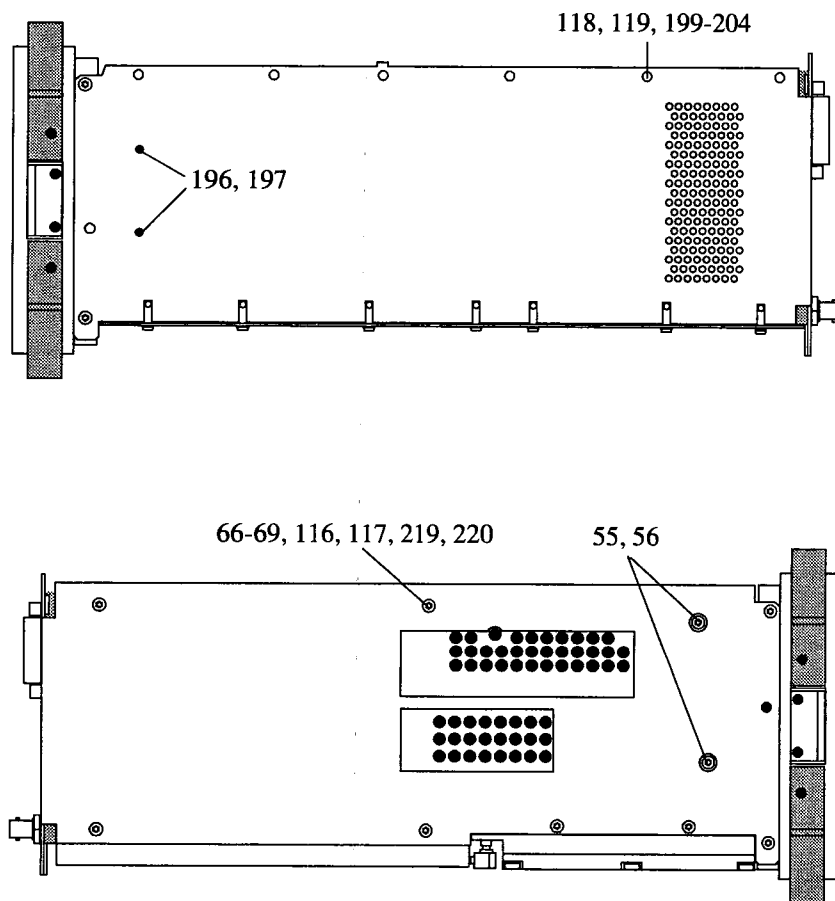


**Figure 27** Chassis and Attaching Hardware, Bottom View



**Table 160**                      **HP 8920A Replaceable Parts**

<b>Item</b>	<b>Description</b>	<b>Replacement Kit or Part Number</b>
54	ASSEMBLY-CHASSIS For serial prefix < 3452 (includes new covers and plates)	08920-61875
54	ASSEMBLY-CHASSIS For serial prefix ≥ 3452	08920-61145
57	SCREW-THD-RLG-M4 x 0.7 10MM-LG PANHEAD	0515-1993
79-84	SMM3.0 8SEMPNTX	0515-1950
85-86	SCREW-MACH ASSEMBLY M3 X 0.5 12-MM LG	0515-0664
87-104	SCREW-MACH ASSBLY M3 X 0.5 8MM-LG	0515-1950
109-112	SCREW-MACH ASSEMBLY M3 X 0.5 12-MM LG	0515-0664
120	SCREW-MACH ASSBLY M3 X 0.5 8MM-LG	0515-0372
221	SCREW-MACH ASSBLY M4 X 0.7 20MM-LG	0515-0456
272	SCREW-THD-RLG-M4 x 0.7 10MM-LG PANHEAD	0515-1993



**Figure 28**      **Attaching Hardware, Side View**

**Table 161**                      **HP 8920A Replaceable Parts**

<b>Item</b>	<b>Description</b>	<b>Replaceable Kit or Part Number</b>
55,56	SCREW-THD-RLG-M4 x 0.7 10MM-LG PANHEAD	0515-1993
66-69	SCREW-MACH M4 X 0.7 6MM-LG PAN-HD	0515-2143
116-119	SCREW-MACH M4 X 0.7 6MM-LG PAN-HD	0515-2143
196-197, 199-204	SCREW-MACH ASSEMBLY M3 X 0.5 6MM-LG	0515-2126
219-220	SCREW-MACH M4 X 0.7 6MM-LG PAN-HD	0515-2143

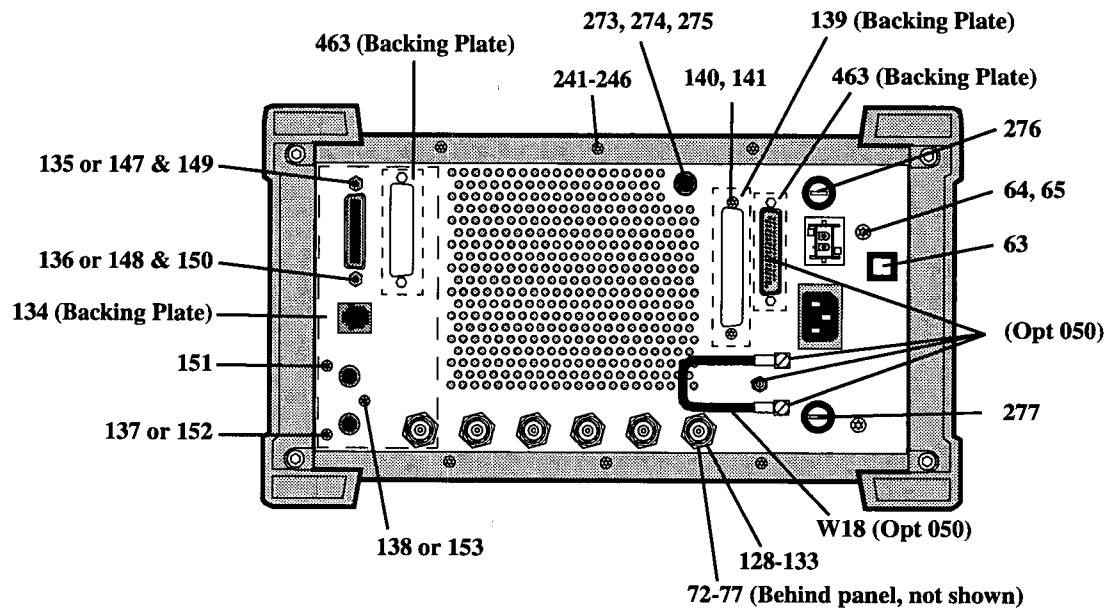
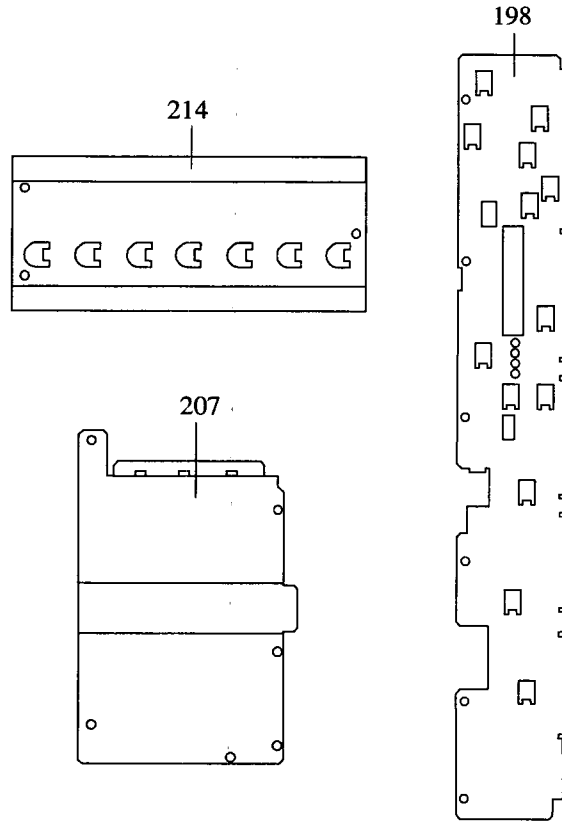


Figure 29 Rear Panel

**Table 162**                      **HP 8920A Replaceable Parts**

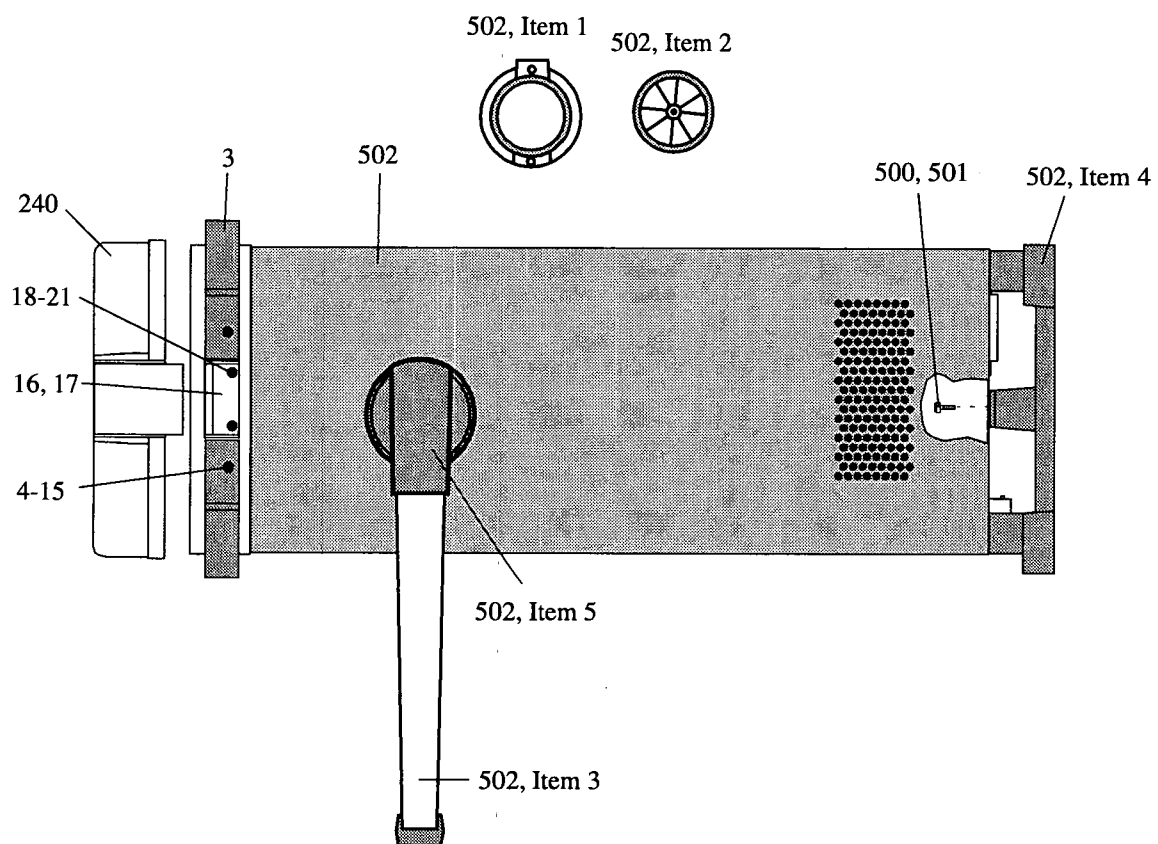
Item	Description	Replacement Kit or Part Number
63	QTR-CH-WHT	5041-0201
64,65	SCREW-MACH M4 X 0.7 6MM-LG PAN-HD	0515-2143
72-77	NUT-KNRLD-R-1/2-28-THD .094-IN-THK	0590-1611
128-133	NUT HEX 1/2-28	2950-0054
134	PLATE-HP-IB	08920-00177
135-138	SCREW-MACH ASSBLY M3 X 0.5 8MM-LG	0515-0372
139	RADIO INTF PLATE	08920-00031
140,141	SCREW-MACH ASSBLY M3 X 0.5 8MM-LG	0515-0372
147-148	STAND OFF .327 (OPT.103)	0380-0644
149,150	WSHR LK (OPT. 103)	2190-0577
151-153	SCREW-MACH ASSBLY M3 X 0.5 8MM-LG (OPT. 103)	0515-1950
241-246	SCREW-MACH ASSBLY M3 X 0.5 8MM-LG	0515-0372
273	BDG POST ASSY	1510-0038
274	WSHR LK .256ID	2190-0027
275	NUT-HEX 1/4-32	2950-0006
276	DC FUSE, 15A/250V	2110-0054
277	AC FUSE, 5A/250V	2110-0010
463	BACKING PLATE	08922-00076
W18	CBL SMC-SMC (Opt 050)	8120-5816



**Figure 30**      **Covers**

**Table 163**                      **HP 8920A Replaceable Parts**

<b>Item</b>	<b>Description</b>	<b>Replacement Kit or Part Number</b>
198	COVER DIGITAL (for serial prefix <3452)	08920-00142
198	COVER DIGITAL (for serial prefix ≥3452)	08920-00176
207	COVER-AUDIO BDS	08920-00143
214	COVER-CARDBOX	08920-00087



**Figure 31** Instrument Cover, Bumpers and Attaching Hardware



**Table 164**                      **HP 8920A Replaceable Parts**

Item	Description	Replacement Kit or Part Number
3	BUMPER	5062-4806
4-15	MM3.08SEMPNTX	0515-0664
16,17	CATCH LATCH	5021-5483
18-21	SCREW-MACH ASSEMBLY M3 X 0.5 8MM-LG	0515-1940
240	IMPACT COVER AY	08920-61037
500,501	SCREW-MACH M4 X 0.7 10MM-LG PAN HD	0515-1114
502	COVER ASSY	08920-61091
502, Item 1	GEAR RING	5021-6343
502, Item 2	SPROCKET GEAR	5021-6344
502, Item 3	HANDLE	5041-3624
502, Item 4	FOOT REAR	5041-8907
502, Item 5	TRIM CAP-HANDLE	5041-8912

## HP 8920B Replaceable Parts List

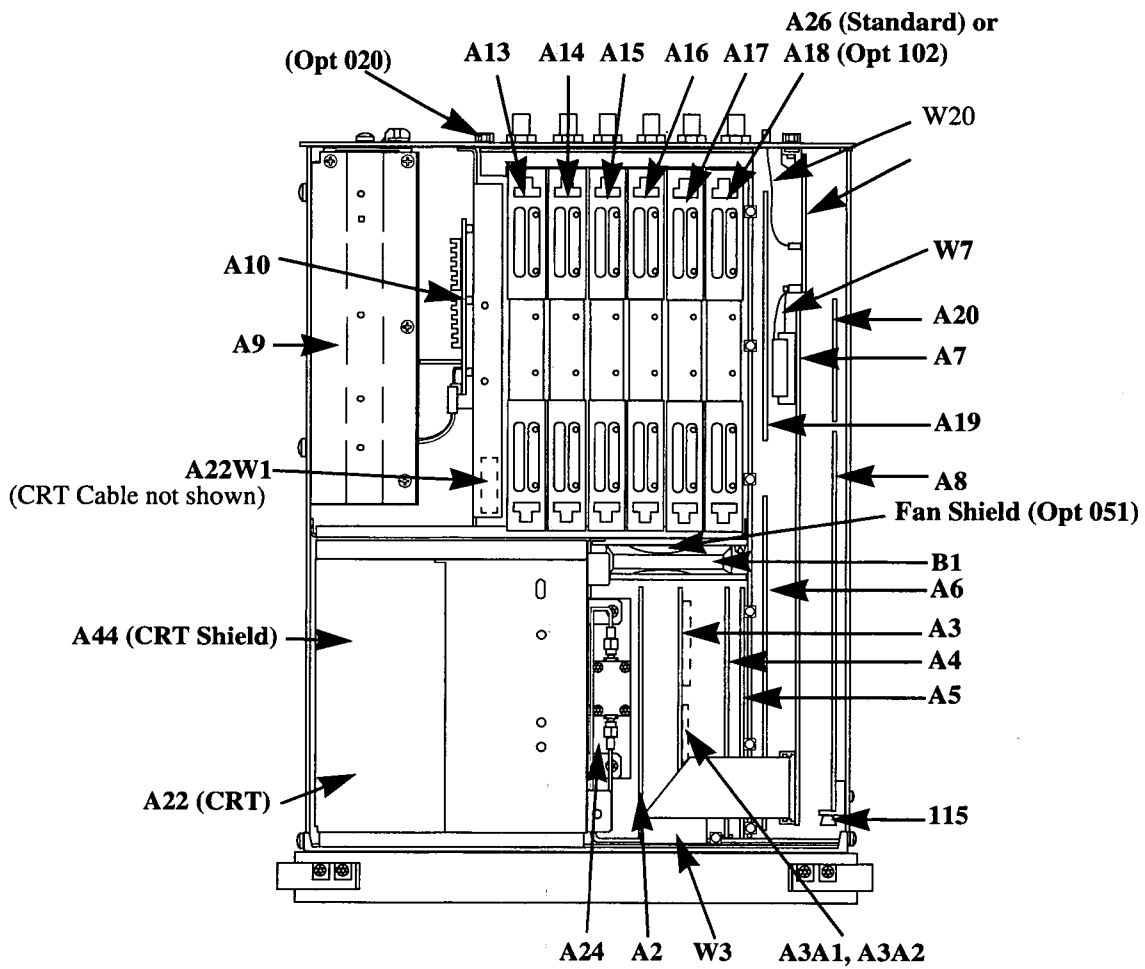


Figure 32 Major Assemblies and Cables, Top View

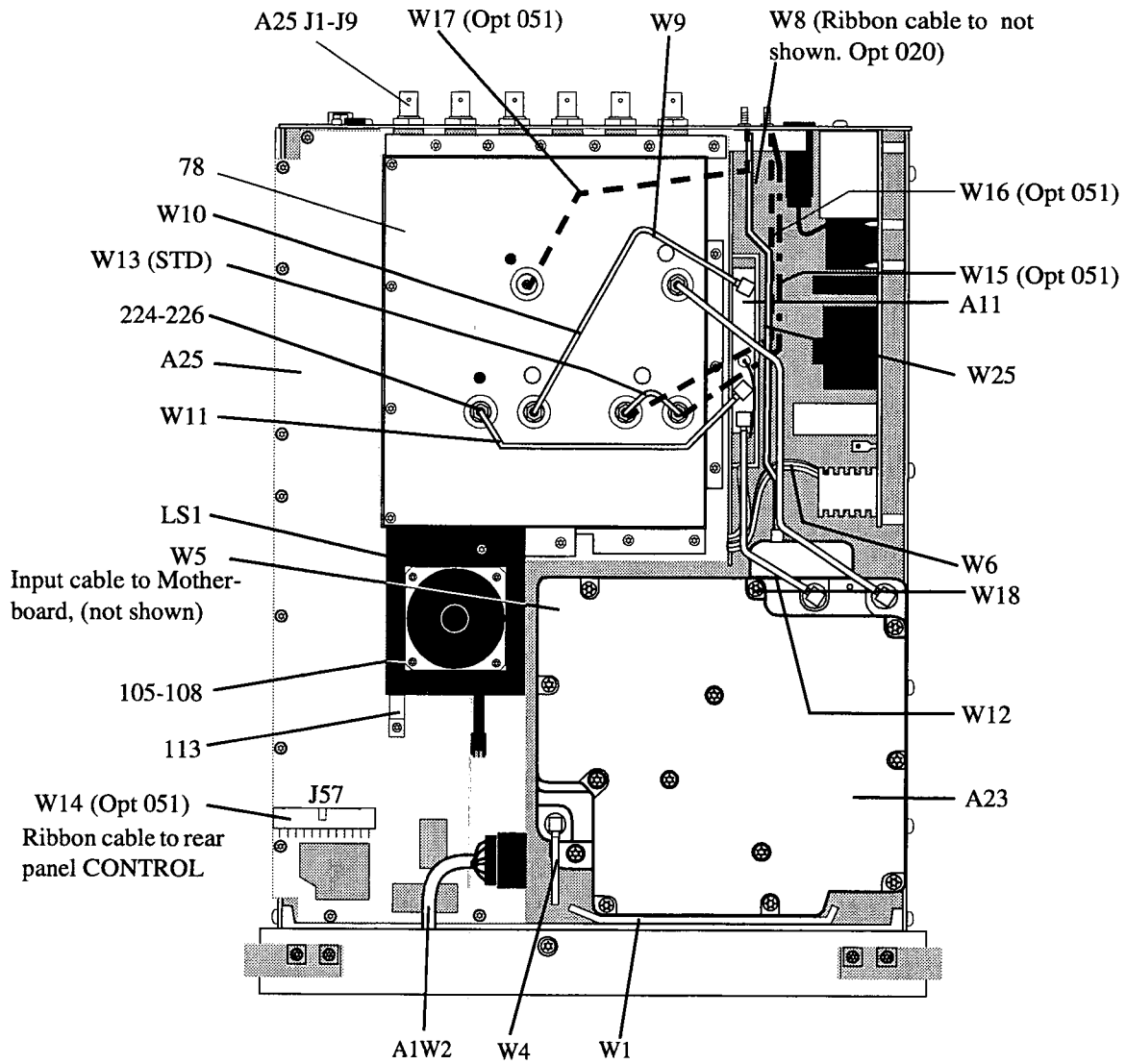
**Table 165 HP 8920B Replaceable Parts**

<b>Item</b>	<b>Description</b>	<b>Replacement Kit or Part Number</b>
A2	AUDIO ANALYZER 2 (VNF)	08920-61853
A3	AUDIO ANALYZER 1	08920-61811
A3A1 or A3A2	400 Hz HP FILTER (Opt 010)	08920-61054
A3A1 or A3A2	CCITT FILTER (Opt 011)	08920-61055
A3A1 or A3A2	4 kHz BP FILTER (Opt 012)	08920-61062
A3A1 or A3A2	C-MESSAGE FLTR (Opt 013)	08920-61056
A3A1 or A3A2	6 kHz BP Filter (Opt 014)	08920-61063
A4	MODULATION DISTRIBUTION	08920-61809
A5	SERIAL I/O CONTROL	08920-61839
A6	SIGNALING SOURCE ANALYZER (Std)	08920-61849
A6	SIGNALING SOURCE ANALYZER (Opt 004)	08920-61850
A7	CONTROLLER (DCU)	08920-61872
FW	FLASH FIRMWARE KIT	08920-61851
A8	MEMORY PCMCIA	08920-61871
A9	POWER SUPPLY	08920-61815
A10	POWER SUPPLY REGULATOR	08920-61856
A12	RADIO INTERFACE (Opt 020)	08920-61825
A13	RF OUTPUT	08920-61831
A14	SIG GEN SYNTHESIZER	08921-61819
A15	REFERENCE (STD)	08920-61829
A15	REFERENCE (Opt 001)	08920-61835
A16	RECEIVER	08920-61828
A17	RECEIVER SYNTHESIZER	08921-61820

**Table 165 HP 8920B Replaceable Parts (Continued)**

Item	Description	Replacement Kit or Part Number
A18	SPECTRUM ANALYZER (Opt 102)	08920-61852
A19	MEASUREMENT	08920-61836
A20	DISPLAY PROCESSOR	08920-61824
A21	HP-IB/RS-232/CENTRONICS/CURRENT SENSE	08920-61818
A22	DISPLAY (CRT)	08920-61005
A22-W1	CABLE ASSEMBLY	08920-61020
A24	14 dB RF ATTENUATOR KIT (Std)	08920-61867
A24	6 dB RF ATTENUATOR KIT (Opt 006)	08920-61876
A24	0 dB RF ATTENUATOR KIT (Opt 007)	08920-61873
A26	TERMINATOR (Except Opt 102)	08920-60140
B1	FAN	3160-0597
	FAN SHIELD	08921-00003
W3	RBN26CNDCT28AWG	08645-61027
W7	RIBBON CABLE, DCU-HP-IB	08920-61018
W20	CENTRONICS PRNTR CABLE	08920-61146
44	CRT SHIELD	08920-00043
115	PRE-GUIDE SMT CD (P/O A8)	08920-40018





**Figure 33 Major Assemblies and Cables, Bottom View**

**Table 166**                      **HP 8920B Replaceable Parts**

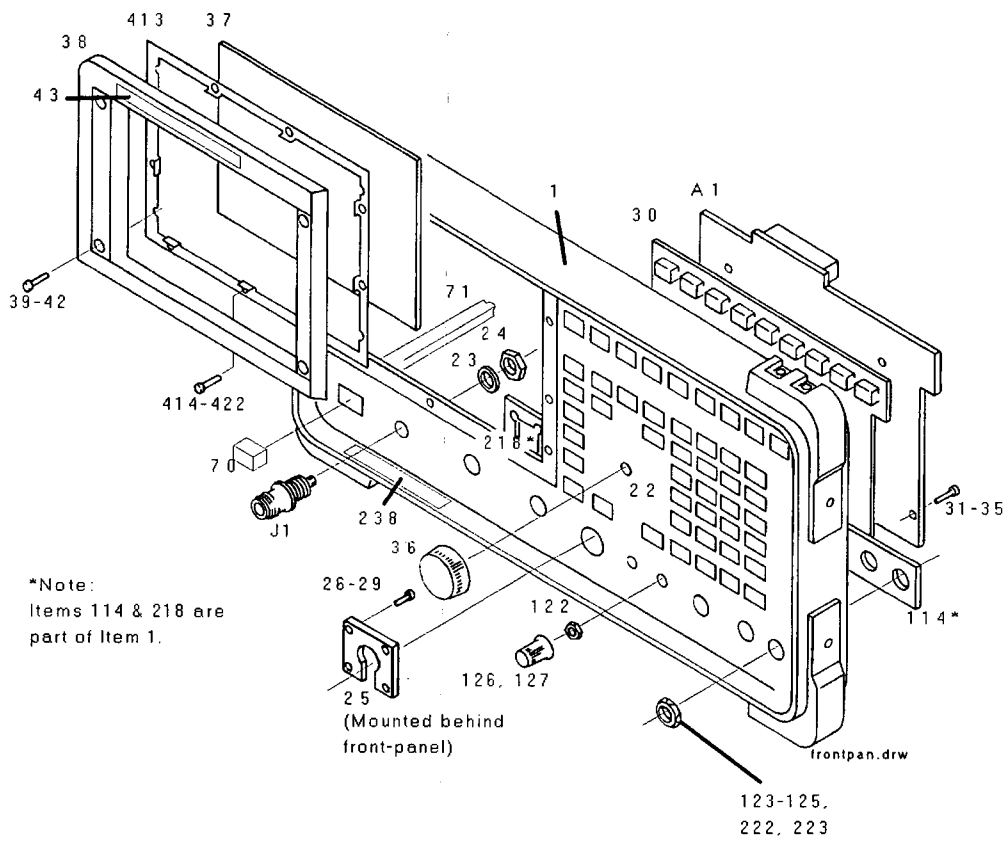
<b>Item</b>	<b>Description</b>	<b>Replacement Kit or Part Number</b>
A11	RECEIVER MIXER	08920-61832
A23	14 dB RF ATTENUATOR KIT (Std)	08920-61867
A23	6 dB RF ATTENUATOR KIT (Opt 006)	08920-61876
A23	0 dB RF ATTENUATOR KIT (Opt 007)	08920-61873
A25	MOTHERBOARD	08920-60428
A25 J1-J9	BNC (AUDIO IN, ect.)	1250-1842
LS1	SPEAKER ASSEMBLY	08920-61025
A1W2	CBL CABLE FRONT PANEL	08920-61007
W1	14 dB RF ATTENUATOR KIT (Std)	08920-61867
W1	6 dB RF ATTENUATOR KIT (Opt 006)	08920-61876
W1	0 dB RF ATTENUATOR KIT (Opt 007)	08920-61873
W4	14 dB RF ATTENUATOR KIT (Std)	08920-61867
W4	6 dB RF ATTENUATOR KIT (Opt 006)	08920-61876
W4	0 dB RF ATTENUATOR KIT (Opt 007)	08920-61873
W5	RIBBON CABLE	08920-61017
W6	CABLE ASSEMBLY-POWER SUPPLY	08920-61019
W7	RIBBON CABLE, DCU TO HP-IB	08920-61018
W8	CABLE ASSEMBLY (OPT. 020)	08920-61039
W9	SEMI-RIGID CABLE-SIG GEN OUT	08920-61014
W10	SEMI-RIGID CABLE-REC IN	08920-61015
W11	SR REC SYNTH - REC MIX	08920-61033
W12	SR INPUT - REC MIX	08920-61034
W13	SEMI-RIGID, JUMPER (STD) A25J55 to A25J56	08920-61076
W14	RIBBON CABLE (Opt 051) A25J57 to CONTROL I/O (Rear Panel)	08921-61004

**Table 166 HP 8920B Replaceable Parts (Continued)**

Item	Description	Replacement Kit or Part Number
W15	SEMI-RIGID SMC-NONE (Opt 051) A25J56 to IQ RF IN (Rear Panel)	08921-61001
W16	SEMI-RIGID SMC-NONE (Opt 051) A25J55 to CW RF OUT (Rear Panel)	08921-61002
W17	SEMI-RIGID SMC-NONE (Opt 051) A25J54 to 114.3 MHz OUT (Rear Panel)	08921-61003
W18	SR CABLE AVERAGE PWR (Opt 006)	08920-61152
78	MOTHER BD COVER	08920-00110
105-108	SCREW-MACH M3 X 0.5 6MM-LG PAN-HD	0515-0680
113	SPEAKER BRACKET AY	08920-61045
224-226	NUT-HEX DBL-CHAM M5 X 0.8 2.5 MM-THK	0535-0109
W25	SEMI-RIGID CABLE, AVERAGE POWER DETECTOR	08920-61152







**Figure 34**      **Front Panel**

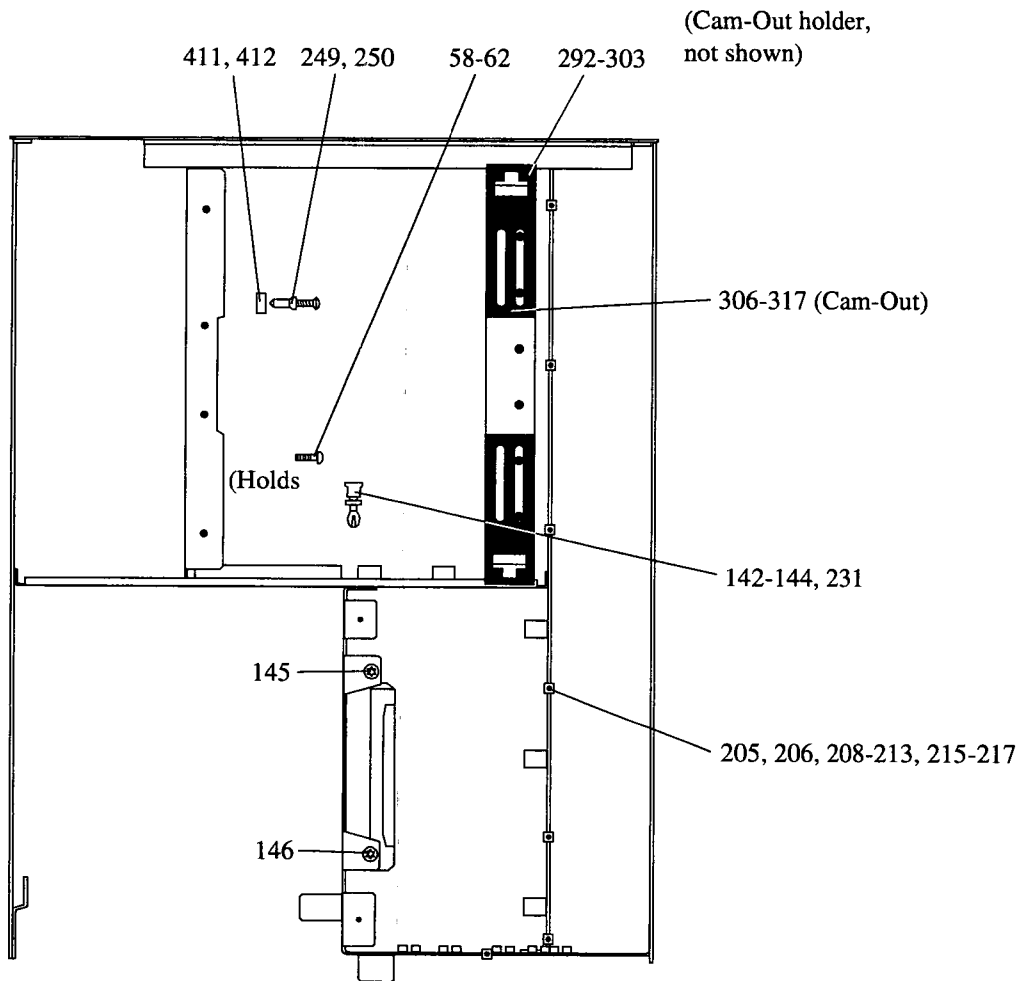
**Table 167 HP 8920B Replaceable Parts**

Item	Description	Replacement Kit or Part Number
A1	KEY BOARD	08920-60201
J1	ADPT F N	1250-1811
1	FRAME FRONT	08920-21046
22	PANEL DRESS	08920-00172
22	PANEL DRESS (Opt 007)	08920-00169
23	WASH LOCK .50ID	2190-0068
24	NUT HEX 1/2-28	2950-0054
25	P/O A1W2	08920-61007
26-29	SCREW-MACH ASSEMBLY M3 X 0.5 6MM-LG	0515-2126
30	KEYPAD	08920-40001
31-35	SCREW-MACH ASSEMBLY M3 X 0.5 6MM-LG	0515-2126
36	KNOB BASE 1-1/8 JGK .25 IN.ID	0370-2110
37	WINDOW CRT FLTR	08920-21023
38	BEZEL,CRT	08920-40003
39-42	SCREW-MACH M3 X 0.5 10MM-LG	0515-2135
43	NAMEPLATE	08920-00130
70	KEY CAP "POWER"	5041-0944
71	PUSHROD	08920-40005
122	NUT HEX 1/4-36	2950-0196
123-125	NUT HEX 1/2-28	2950-0054
126,129	KNOB CONC BASE	0370-3079
222-223	NUT HEX 1/2-28	2950-0054
238	CAUTION LABEL	08920-00063

**Table 167**                    **HP 8920B Replaceable Parts (Continued)**

<b>Item</b>	<b>Description</b>	<b>Replacement Kit or Part Number</b>
413	CLIP WINDOW	08920-00074
414-422	SMM2.5 6PCHPNTX	0515-1940

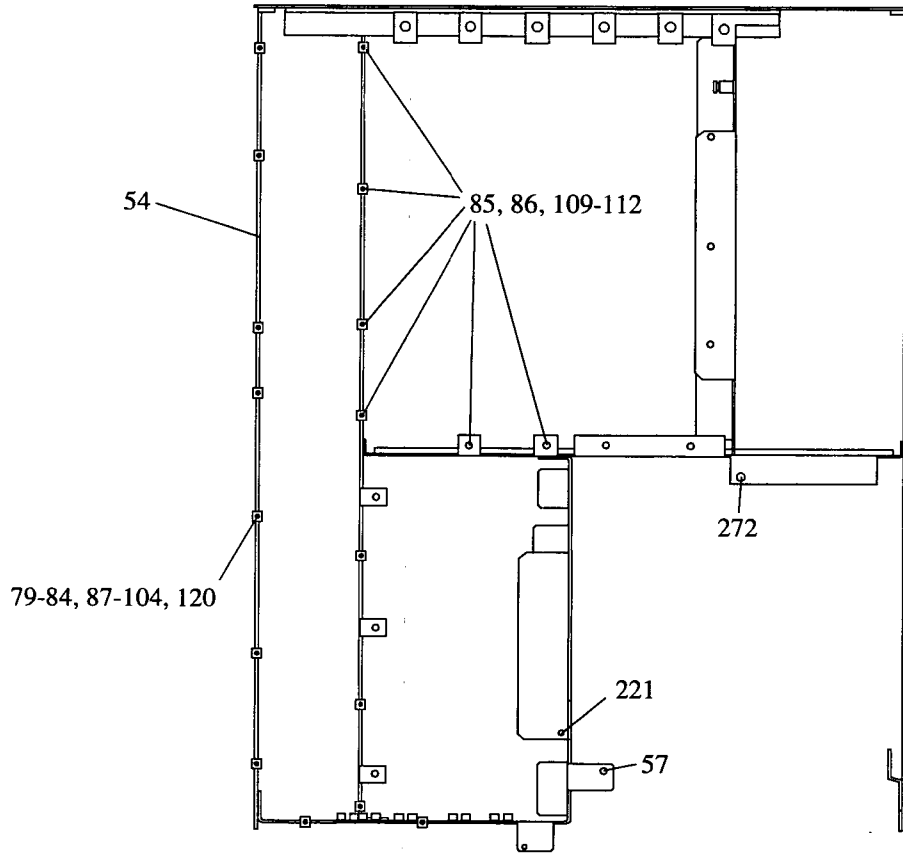




**Figure 35** Attaching Hardware, Top View

**Table 168**                      **HP 8920B Replaceable Parts**

<b>Item</b>	<b>Description</b>	<b>Replacement Kit or Part Number</b>
58-62	SMM3.0 SSEMPNTX	0515-1950
142-144	RIVET PLASTIC FLH	0361-1341
145-146	SCREW-MACH M4 X 0.7 6MM-LG PAN-HD	0515-2143
205,206	SCREW-MACH ASSBLY M3 X 0.5 8 MM-LG	0515-1950
208-213	SCREW-MACH ASSBLY M3 X 0.5 8 MM-LG	0515-1950
215-217	SCREW-MACH ASSBLY M3 X 0.5 8 MM-LG	0515-1950
231	RIVET PLASTIC	0361-1341
249,250	RIVET-PLASTICOVH .187 DIA 6LG	0361-1338
292-303	CAM-OUT HOLDER	08920-40016
306-317	CAM-OUT	08920-40009
411-412	WSH FL .190ID	3050-1353

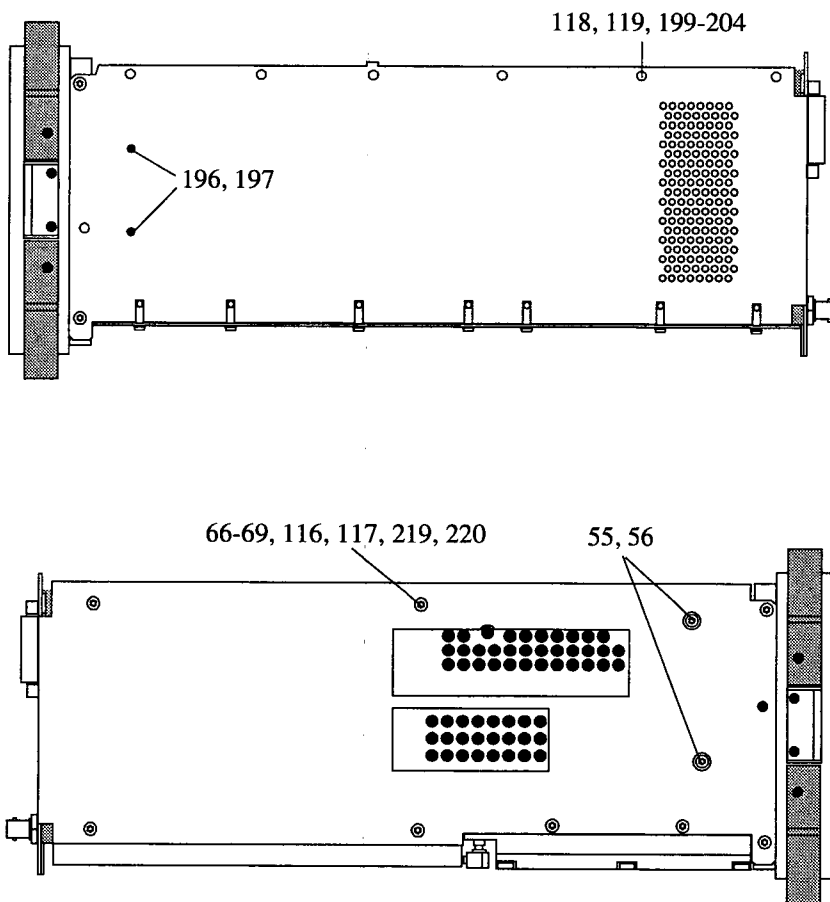


**Figure 36** Chassis and Attaching Hardware, Bottom View



**Table 169 HP 8920B Replaceable Parts**

Item	Description	Replacement Kit or Part Number
54	ASSEMBLY-CHASSIS For serial prefix < 3542 (includes covers and plates)	08920-61875
54	ASSEMBLY-CHASSIS For serial prefix ≥ 3452	08920-61145
57	SCREW-THD-RLG-M4 x 0.7 10 MM-LG PANHEAD	0515-1993
79-84	SMM3.0 8SEMPNTX	0515-1950
85-86	SCREW-MACH ASSEMBLY M3 X 0.5 12-MM LG	0515-0664
87-104	SCREW-MACH ASSBLY M3 X 0.5 8 MM-LG	0515-1950
109-112	SCREW-MACH ASSEMBLY M3 X 0.5 12-MM LG	0515-0664
120	SCREW-MACH ASSBLY M3 X 0.5 8 MM-LG	0515-0372
221	SCREW-MACH ASSBLY M4 X 0.7 20 MM-LG	0515-0456
272	SCREW-THD-RLG-M4 x 0.7 10MM-LG PANHEAD	0515-1993



**Figure 37** Attaching Hardware, Side View

**Table 170**                      **HP 8920B Replaceable Parts**

<b>Item</b>	<b>Description</b>	<b>Replaceable Kit or Part Number</b>
55,56	SCREW-THD-RLG-M4 x 0.7 10MM-LG PANHEAD	0515-1993
66-69	SCREW-MACH M4 X 0.7 6MM-LGPAN-HD	0515-2143
116-119	SCREW-MACH M4 X 0.7 6MM-LGPAN-HD	0515-2143
196-197, 199- 204	SCREW-MACH ASSEMBLY M3 X 0.5 6MM-LG	0515-2126
219-220	SCREW-MACH M4 X 0.7 6MM-LG PAN-HD	0515-2143

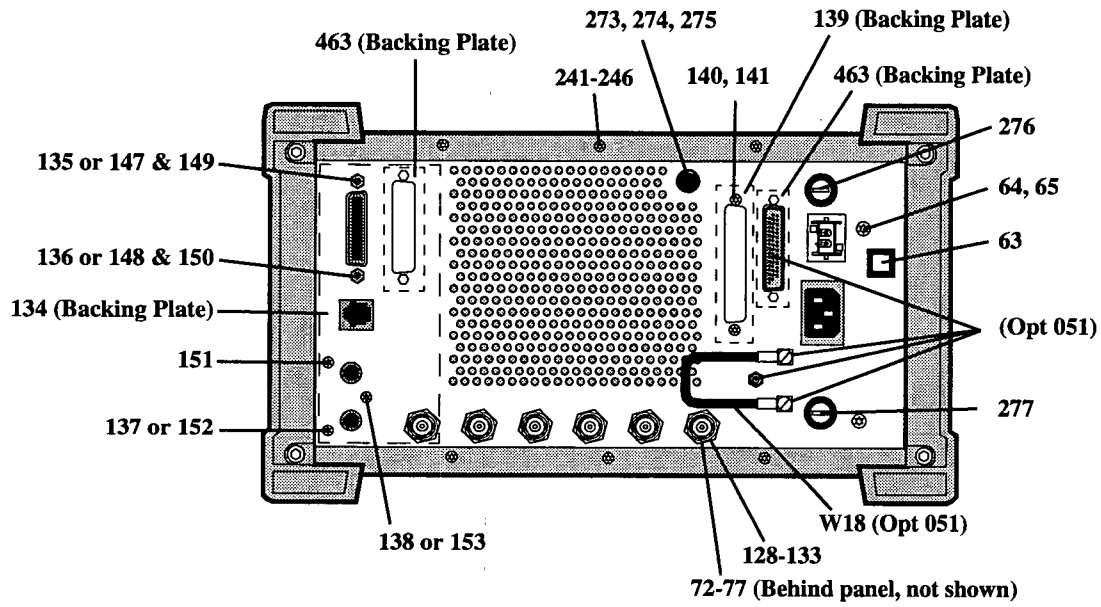
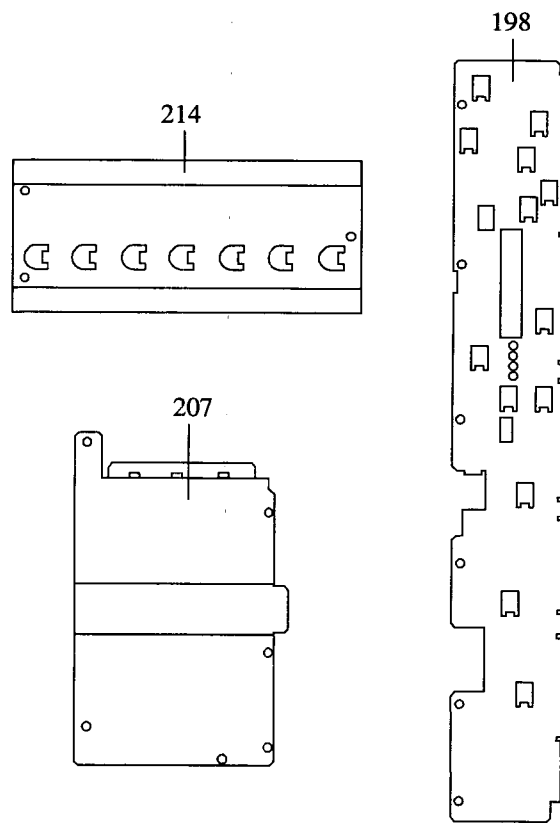


Figure 38 Rear Panel

**Table 171 HP 8920B Replaceable Parts**

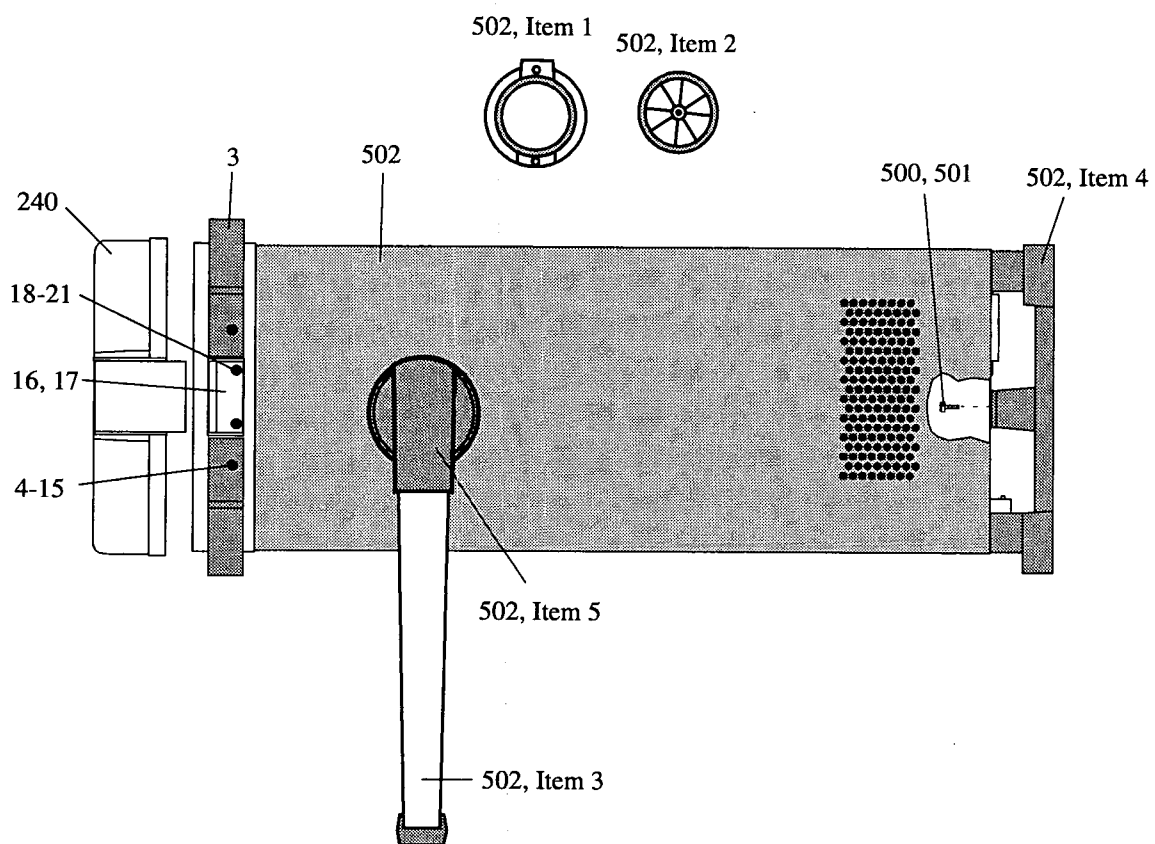
Item	Description	Replacement Kit or Part Number
63	QTR-CH-WHT	5041-0201
64,65	SCREW-MACH M4 X 0.7 6MM-LG PAN-HD	0515-2143
72-77	NUT-KNRLD-R-1/2-28-THD .094-IN-THK	0590-1611
128-133	NUT HEX 1/2-28	2950-0054
134	PLATE-HP-IB	08920-00020
135-138	SCREW-MACH ASSBLY M3 X 0.5 8MM-LG	0515-0372
139	RADIO INTF PLATE	08920-00031
140,141	SCREW-MACH ASSBLY M3 X 0.5 8MM-LG	0515-0372
147-148	STAND OFF .327	0380-0644
149,150	WSHR LK	2190-0577
151-153	SCREW-MACH ASSBLY M3 X 0.5 8MM-LG	0515-1950
241-246	SCREW-MACH ASSBLY M3 X 0.5 8MM-LG	0515-0372
273	BDG POST ASSY	1510-0038
274	WSHR LK .256ID	2190-0027
275	NUT-HEX 1/4-32	2950-0006
276	AC FUSE, 15A/250V	2110-0054
277	DC FUSE, 5A/250V	2110-0010
463	BACKING PLATE (Opt 051)	08922-00076
W18	CBL SMC-SMC (Opt 051)	8120-5816



**Figure 39**      **Covers**

**Table 172**                      **HP 8920B Replaceable Parts**

<b>Item</b>	<b>Description</b>	<b>Replacement Kit or Part Number</b>
198	COVER DIGITAL	08920-00176
207	COVER-AUDIO BDS	08920-00143
214	COVER-CARDBOX	08920-00087



**Figure 40** Instrument Cover, Bumpers and Attaching Hardware



**Table 173**                      **HP 8920B Replaceable Parts**

<b>Item</b>	<b>Description</b>	<b>Replacement Kit or Part Number</b>
3	BUMPER	5062-4806
4-15	MM3.08SEMPNTX	0515-0664
16,17	CATCH LATCH	5021-5483
18-21	SCREW-MACH ASSEMBLY M3 X 0.5 8MM-LG	0515-1940
240	IMPACT COVER AY	08920-61037
500,501	SCREW-MACH M4 X 0.7 10MM-LG PAN HD	0515-1114
502	COVER ASSY	08920-61091
502	COVER ASSY (Opt 031) NO HANDLE	08920-61153
502,Item 1	GEAR RING	5021-6343
502,Item 2	SPROCKET GEAR	5021-6344
502,Item 3	HANDLE	5041-3624
502 Item 4	FOOT REAR	5041-8907
502 Item 5	TRIM CAP-HANDLE	5041-8912

## HP 8921A Replaceable Parts List

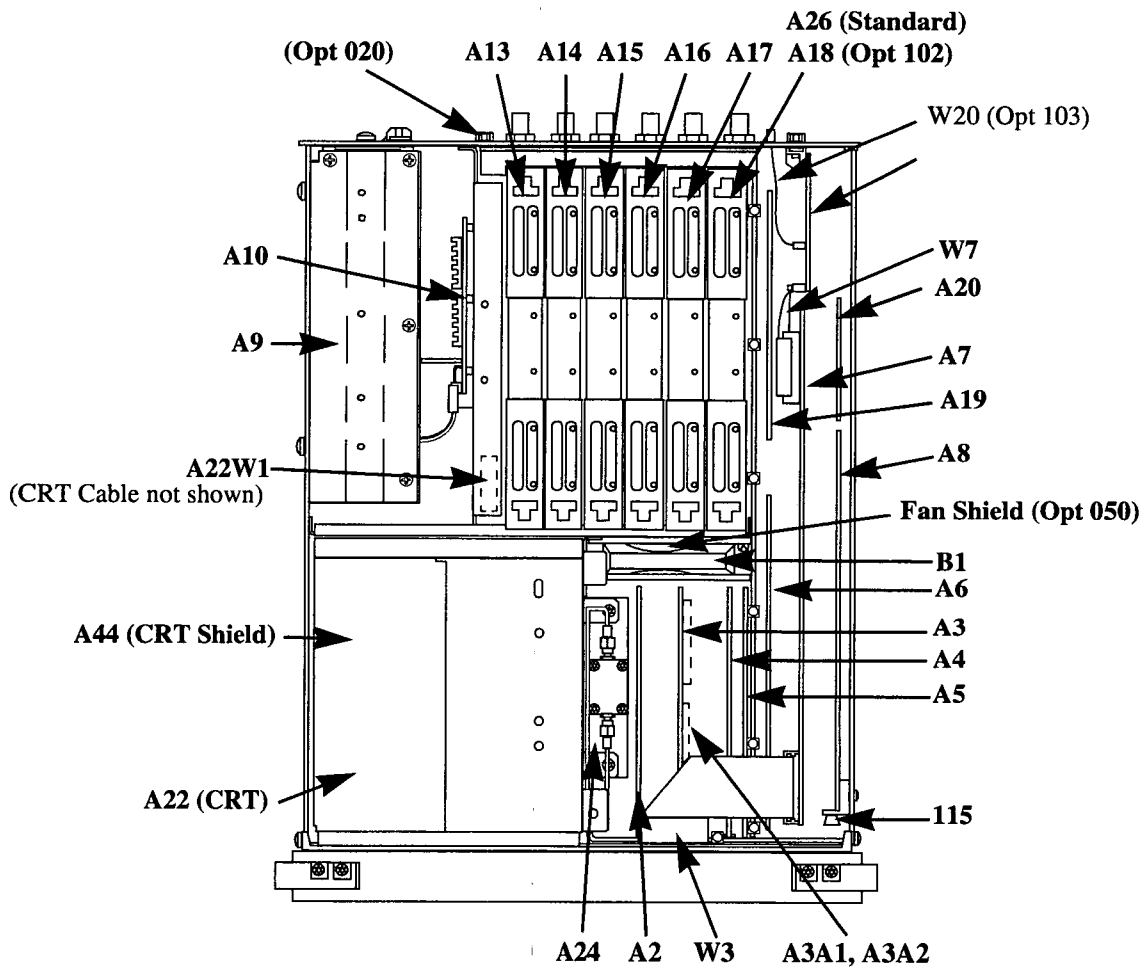


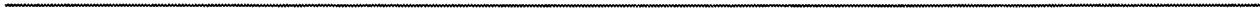
Figure 41 Major Assemblies and Cables, Top View

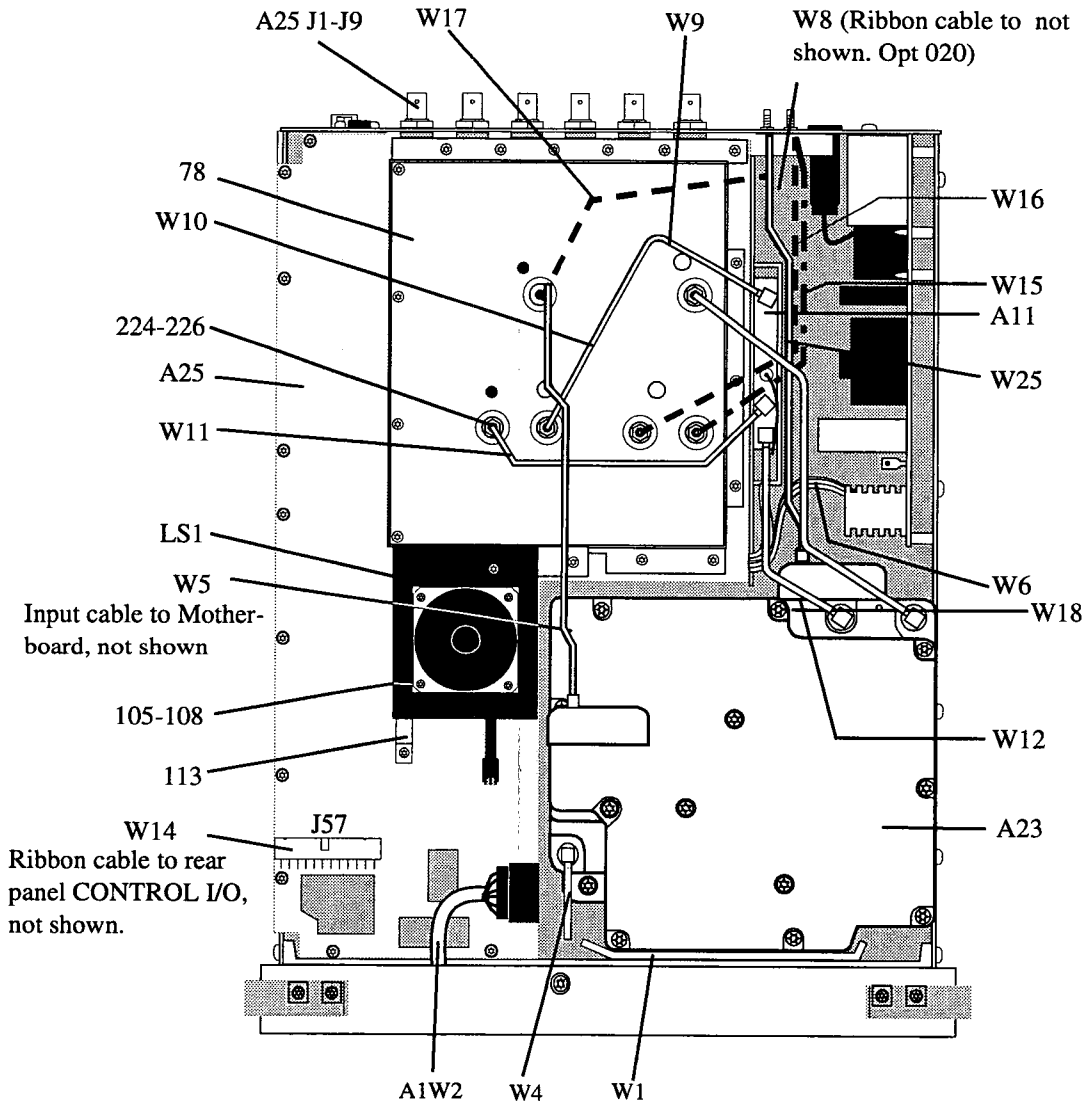
**Table 174 HP 8921A Replaceable Parts**

Item	Description	Replacement Kit or Part Number
A2	AUDIO ANALYZER 2 (STD)	08920-61812
A2	AUDIO ANALYZER 2 (VNF)	08920-61853
A3	AUDIO ANALYZER 1	08920-61811
A3A1 or A3A2	CCITT FILTER (Opt 011)	08920-61055
A3A1 or A3A2	C-MESSAGE FILTER	08920-61056
A3A1 or A3A2	6 kHz BP FILTER	08920-61063
A4	MODULATION DISTRIBUTION	08920-61809
A5	SERIAL I/O CONTROL	08920-61839
A6	SIGNALING SOURCE ANALYZER	08920-61850
A7	CONTROLLER (DCU)	08920-61807
A8	EPROM MEMORY (serial break <3546 except R40)	08920-61866
A8	OTP MEMORY (serial break ≥3546 or R40)	08920-61869
FW	EPROM FIRMWARE KIT (serial break <3546 except R40)	08920-61058
FW	OTP FIRMWARE KIT (serial break ≥3546 or R40)	08920-61870
A9	POWER SUPPLY	08920-61815
A10	POWER SUPPLY REGULATOR	08920-61856
A12	RADIO INTERFACE (Opt. 020)	08920-61825
A12	ERICSSON PCM REFERENCE (OPT. 042)	08920-61842
A13	RF OUTPUT	08920-61831
A14	SIG GEN SYNTHESIZER	08921-61819
A15	REFERENCE	08920-61835
A16	RECEIVER	08920-61896
A17	RECEIVER SYNTHESIZER	08921-61820

**Table 174**                    **HP 8921A Replaceable Parts (Continued)**

<b>Item</b>	<b>Description</b>	<b>Replacement Kit or Part Number</b>
A18	SPECTRUM ANALYZER	08920-61852
A19	MEASUREMENT	08920-61836
A20	DISPLAY PROCESSOR	08920-61824
A21	HP-IB/RS-232/CENTRONICS/CURRENT SENSE	08920-61818
A22	DISPLAY (CRT)	08920-61005
A22-W1	CABLE ASSEMBLY	08920-61020
A24	14 dB RF INPUT/ATTEN KIT (Std) SP<3501	08920-61894
A24	14 dB RF INPUT/ATTEN KIT (Std) SP ≥3501	08921-61826
B1	FAN	3160-0597
	FAN SHIELD	08921-00003
W3	RBN26CNDCT28AWG	08645-61027
W7	RIBBON CABLE, DCU-HP-IB	08920-61018
W20	CENTRONICS PRNTR CABLE (Serial Prefix ≤3501 Only)	08920-61146
44	CRT SHIELD	08920-00043
115	PRE-GUIDE SMT CD (P/O A8)	08920-40018





**Figure 42 Major Assemblies and Cables, Bottom View**

**Table 175 HP 8921A Replaceable Parts**

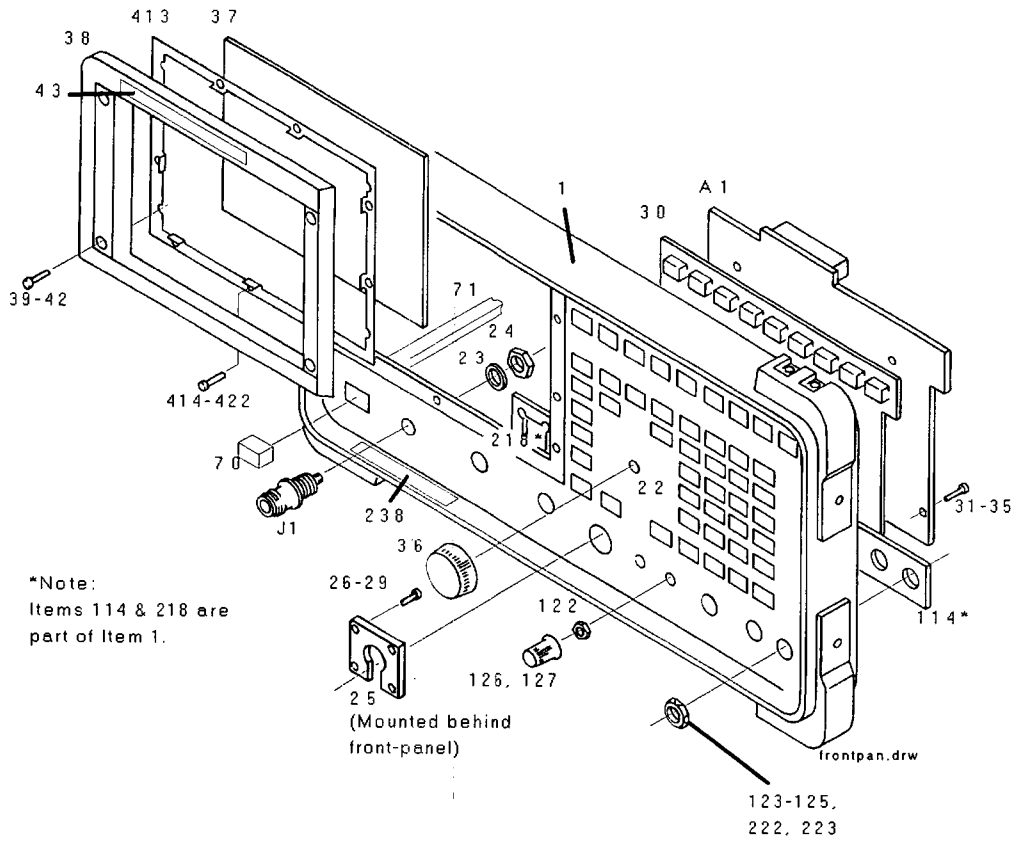
<b>Item</b>	<b>Description</b>	<b>Replacement Kit or Part Number</b>
A11	RECEIVER MIXER	08920-61832
A23	14 dB RF INPUT/ATTEN KIT (Std) SP<3501	08920-61894
A23	14 dB RF INPUT/ATTEN KIT (Std) SP ≥3501	08921-61826
A25	MOTHERBOARD	08920-60428
A25 J1-J9	BNC (AUDIO IN, ect.)	1250-1842
LS1	SPEAKER ASSEMBLY	08920-61025
W1	SR 2.18 SMA-SMA	08920-61012
A1W2	CBL CABLE FRONT PANEL	08920-61007
W4	SR CABLE HEAT SINK	08920-61013
W5	RIBBON CABLE	08920-61017
W6	CABLE ASSEMBLY-POWER SUPPLY	08920-61019
W7	RIBBON CABLE, DCU TO HP-IB	08920-61018
W8	CABLE ASSEMBLY (OPT. 020 or OPT. 042)	08920-61039
W9	SEMI-RIGID CABLE-SIG GEN OUT	08920-61014
W10	SEMI-RIGID CABLE-REC IN	08920-61015
W11	SR REC SYNTH - REC MIX	08920-61033
W12	SR INPUT - REC MIX	08920-61034
W14	RIBBON CABLE A25J57 to CONTROL I/O (Rear Panel)	08921-61004
W15	SEMI-RIGID SMC-NONE A25J56 to IQ RF IN (Rear Panel)	08921-61001
W16	SEMI-RIGID SMC-NONE A25J55 to CW RF OUT (Rear Panel)	08921-61002
W17	SEMI-RIGID SMC-NONE A25J54 to 114.3 MHz OUT (Rear Panel)	08921-61003
W18	SR CABLE AVERAGE PWR	08920-61152

**Table 175**                    **HP 8921A Replaceable Parts (Continued)**

<b>Item</b>	<b>Description</b>	<b>Replacement Kit or Part Number</b>
W19	CA ASSY HEAD PHON	08921-61042
78	MOTHER BD COVER	08920-00110
105-108	SCREW-MACH M3 X 0.5 6MM-LG PAN-HD	0515-0680
113	SPEAKER BRACKETT AY	08920-61045
224-226	NUT-HEX DBL-CHAM M5 X 0.8 2.5 MM-THK	0535-0109
W25	SEMI-RIGID CABLE, AVERAGE POWER DETECTOR	08920-61152



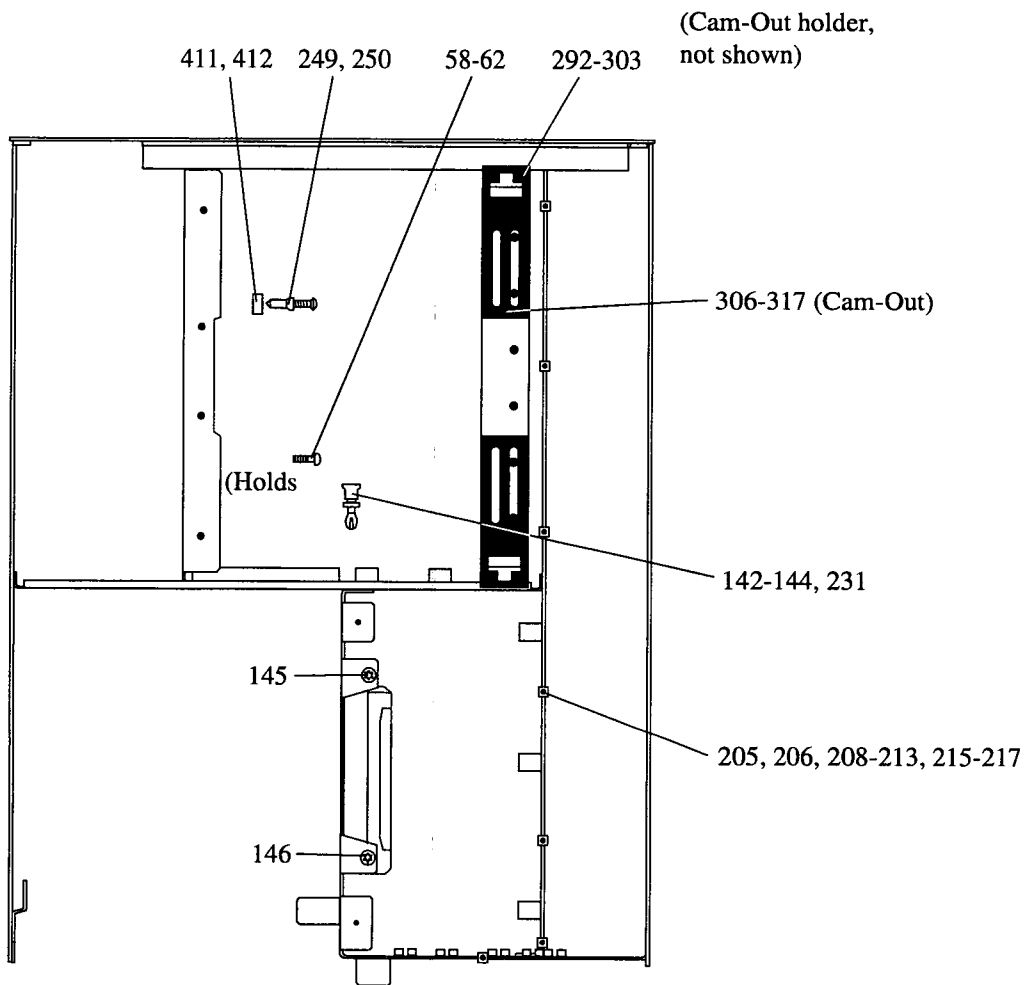




**Figure 43**      **Front Panel**

**Table 176 HP 8921A Replaceable Parts**

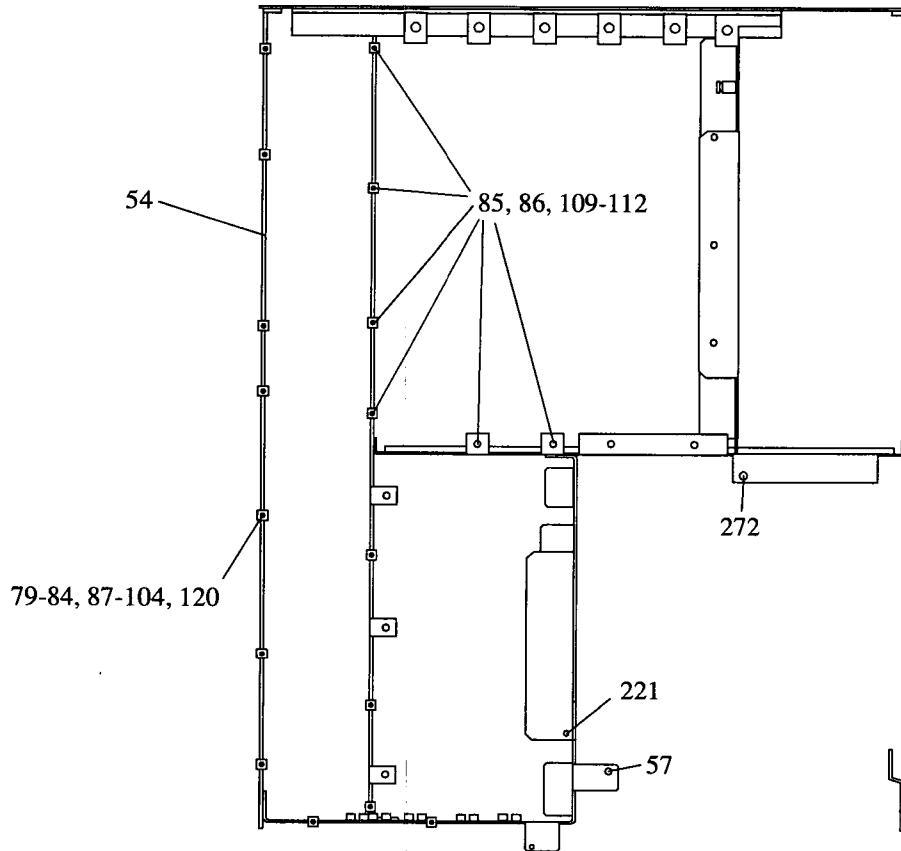
Item	Description	Replacement Kit or Part Number
A1	KEY BOARD	08920-60201
J1	ADPT F N	1250-1811
1	FRAME FRONT	08920-21022
22	PANEL DRESS	08920-00018
23	WASH LOCK .50ID	2190-0068
24	NUT HEX 1/2-28	2950-0054
25	P/O A1W2	08920-61007
26-29	SCREW-MACH ASSEMBLY M3 X 0.5 6MM-LG	0515-2126
30	KEYPAD	08920-40001
31-35	SCREW-MACH ASSEMBLY M3 X 0.5 6MM-LG	0515-2126
36	KNOB BASE 1-1/8 JGK .25 IN.ID	0370-2110
37	WINDOW CRT FLTR	08920-21023
38	BEZEL,CRT	08920-40003
39-42	SCREW-MACH M3 X 0.5 10MM-LG	0515-2135
43	NAMEPLATE	08921-00001
70	KEY CAP "POWER"	5041-0944
71	PUSHROD	08920-40005
122	NUT HEX 1/4-36	2950-0196
123-125	NUT HEX 1/2-28	2950-0054
126,129	KNOB CONC BASE	0370-3079
222-223	NUT HEX 1/2-28	2950-0054
238	CAUTION LABEL	08920-00063
413	CLIP WINDOW	08920-00074
414-422	SMM2.5 6PCHPNTX	0515-1753



**Figure 44** Attaching Hardware, Top View

**Table 177 HP 8921A Replaceable Parts**

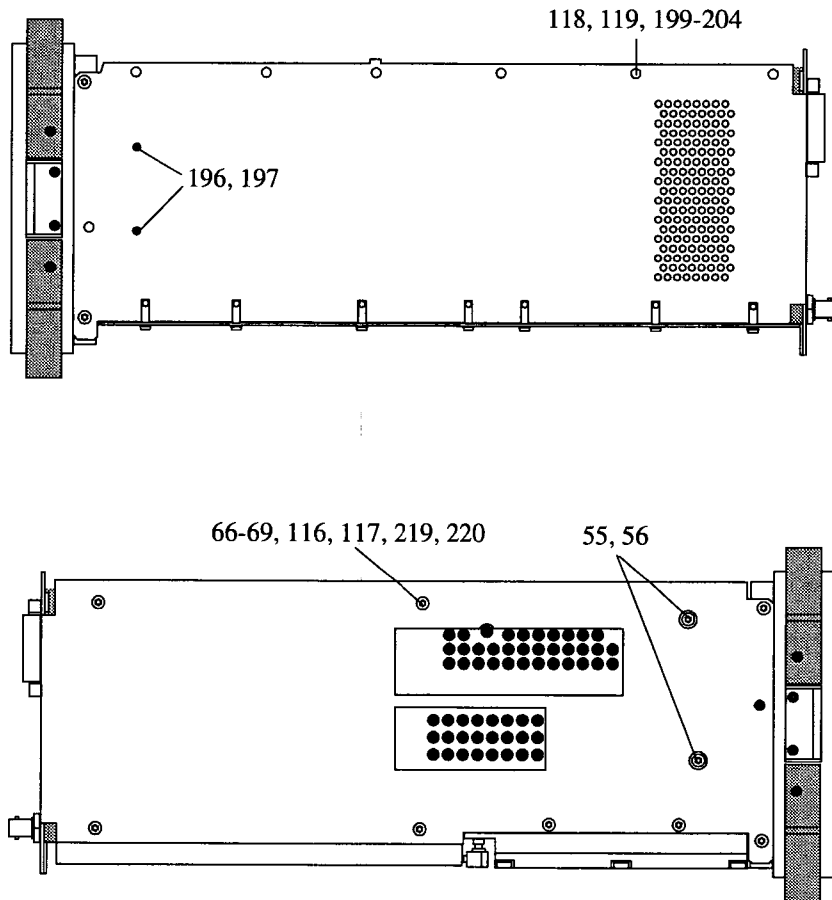
Item	Description	Replacement Kit or Part Number
58-62	SMM3.0 SSEMPNTX	0515-1950
142-144	RIVET PLASTIC FLH	0361-1341
145-146	SCREW-MACH M4 X 0.7 6MM-LG PAN-HD	0515-2143
205,206	SCREW-MACH ASSBLY M3 X 0.5 8MM-LG	0515-1950
208-213	SCREW-MACH ASSBLY M3 X 0.5 8MM-LG	0515-1950
215-217	SCREW-MACH ASSBLY M3 X 0.5 8MM-LG	0515-1950
231	RIVET PLASTIC	0361-1341
249,250	RIVET-PLASTICOVH .187 DIA 6LG	0361-1338
292-303	CAM-OUT HOLDER	08920-40016
306-317	CAM-OUT	08920-40009
411-412	WSH FL .190ID	3050-1353



**Figure 45** Chassis and Attaching Hardware, Bottom View

**Table 178**                      **HP 8921A Replaceable Parts**

<b>Item</b>	<b>Description</b>	<b>Replacement Kit or Part Number</b>
54	ASSEMBLY-CHASSIS	08920-61145
57	SCREW-THD-RLG-M4 x 0.7 10MM-LG PANHEAD	0515-1993
79-84	SMM3.0 8SEMPNTX	0515-1950
85-86	SCREW-MACH ASSEMBLY M3 X 0.5 12-MM LG	0515-0664
87-104	SCREW-MACH ASSBLY M3 X 0.5 8MM-LG	0515-1950
109-112	SCREW-MACH ASSEMBLY M3 X 0.5 12-MM LG	0515-0664
120	SCREW-MACH ASSBLY M3 X 0.5 8MM-LG	0515-0372
221	SCREW-MACH ASSBLY M4 X 0.7 20MM-LG	0515-0456
272	SCREW-THD-RLG-M4 x 0.7 10MM-LG PANHEAD	0515-1993



**Figure 46** Attaching Hardware, Side View



**Table 179**                      **HP 8921A Replaceable Parts**

<b>Item</b>	<b>Description</b>	<b>Replaceable Kit or Part Number</b>
55,56	SCREW-THD-RLG-M4 x 0.7 10MM-LG PANHEAD	0515-1993
66-69	SCREW-MACH M4 X 0.7 6MM-LGPAN-HD	0515-2143
116-119	SCREW-MACH M4 X 0.7 6MM-LGPAN-HD	0515-2143
196-197, 199-204	SCREW-MACH ASSEMBLY M3 X 0.5 6MM-LG	0515-2126
219-220	SCREW-MACH M4 X 0.7 6MM-LG PAN-HD	0515-2143

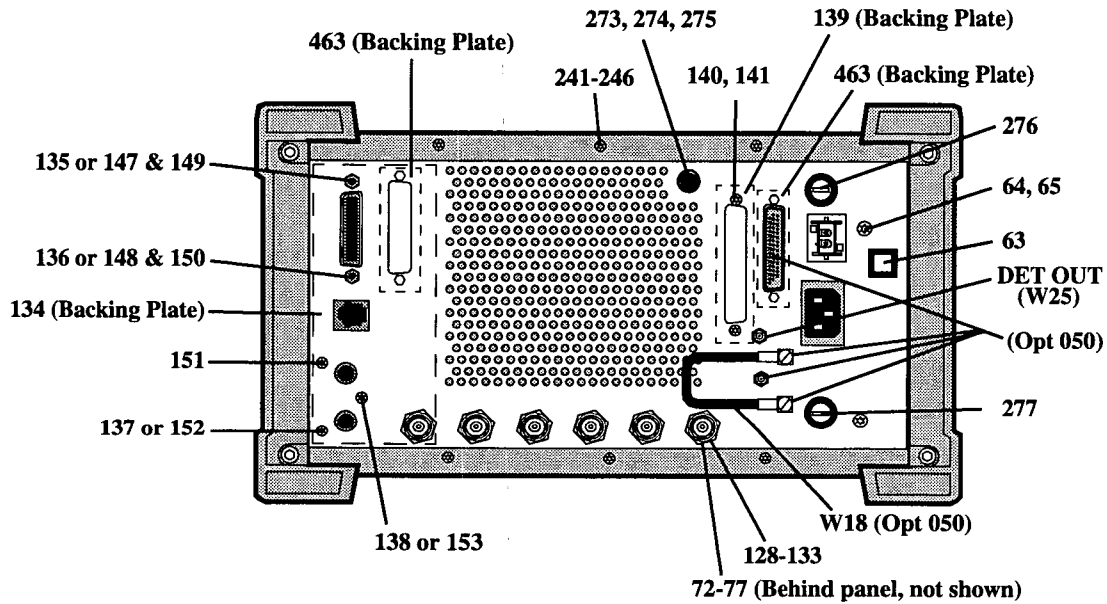
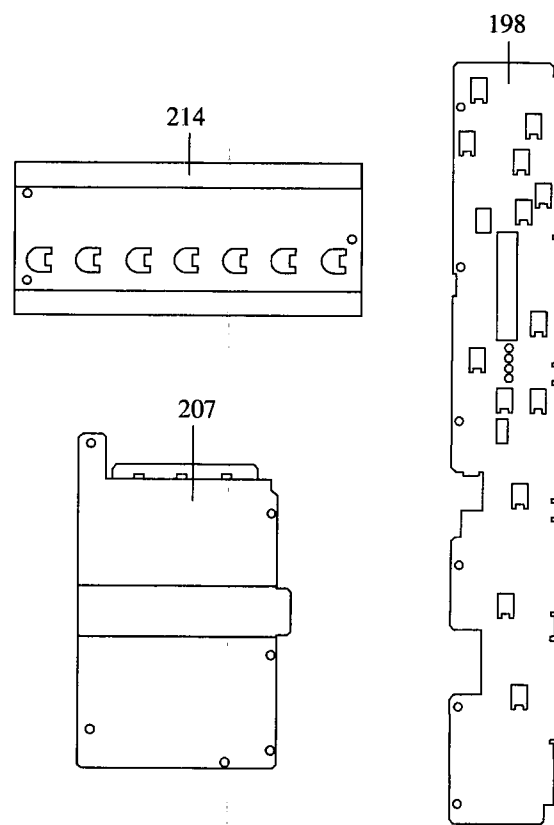


Figure 47 Rear Panel

**Table 180**                      **HP 8921A Replaceable Parts**

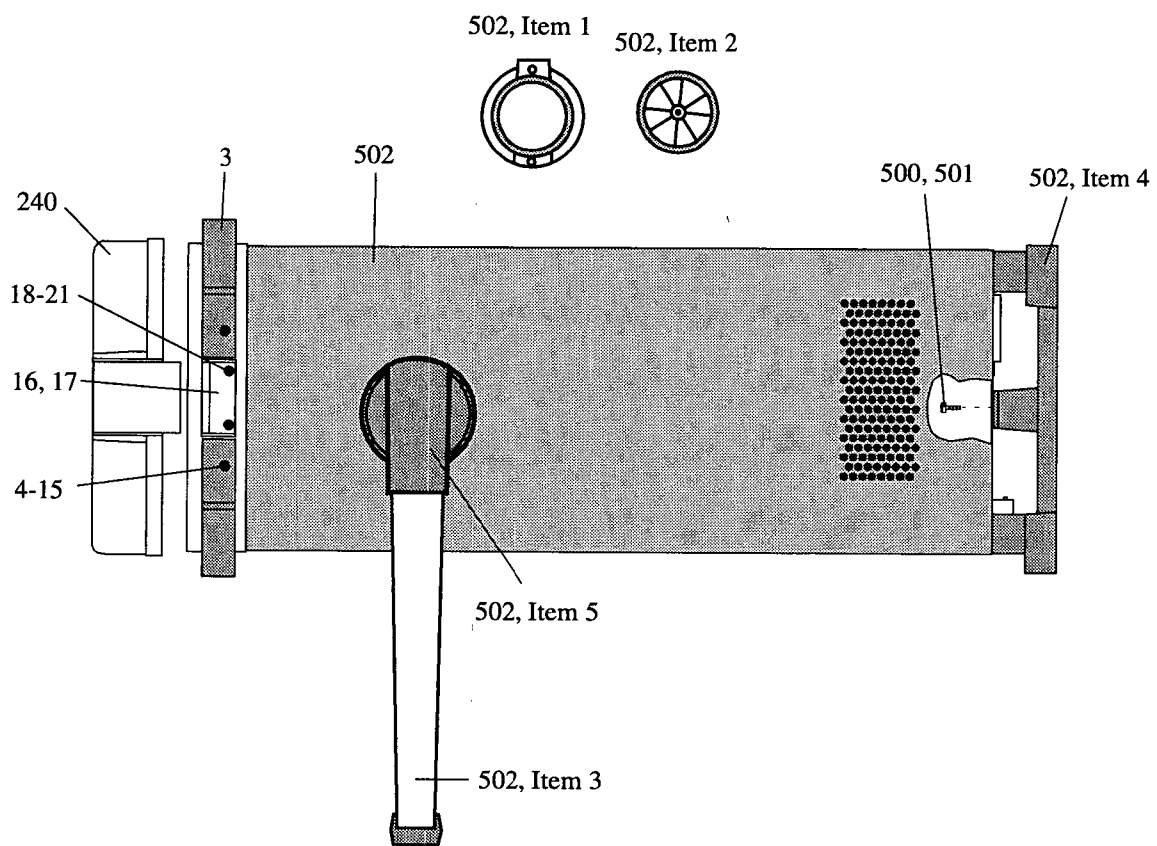
Item	Description	Replacement Kit or Part Number
63	QTR-CH-WHT	5041-0201
64,65	SCREW-MACH M4 X 0.7 6MM-LGPAN-HD	0515-2143
72-77	NUT-KNRLD-R-1/2-28-THD .094-IN-THK	0590-1611
128-133	NUT HEX 1/2-28	2950-0054
134	PLATE-HP-IB	08920-00020
135-138	SCREW-MACH ASSBLY M3 X 0.5 8MM-LG	0515-0372
139	RADIO INTF PLATE	08920-00031
140,141	SCREW-MACH ASSBLY M3 X 0.58MM-LG	0515-0372
147-148	STAND OFF .327	0380-0644
149,150	WSHR LK	2190-0577
151-153	SCREW-MACH ASSBLY M3 X 0.5 8MM-LG	0515-1950
241-246	SCREW-MACH ASSBLY M3 X 0.5 8MM-LG	0515-0372
273	BDG POST ASSY	1510-0038
274	WSHR LK .256ID	2190-0027
275	NUT-HEX 1/4-32	2950-0006
276	FUSE, 15A/250V	2110-0054
277	FUSE, 5A/250V	2110-0010
W18	CBL SMC-SMC	8120-5816



**Figure 48**      **Covers**

**Table 181**                      **HP 8921A Replaceable Parts**

<b>Item</b>	<b>Description</b>	<b>Replacement Kit or Part Number</b>
198	COVER DIGITAL (for serial prefix <3501)	08920-00142
198	COVER DIGITAL (for serial prefix ≥3501)	08920-00176
207	COVER-AUDIO BDS	08920-00143
214	COVER-CARDBOX	08920-00087



**Figure 49** Instrument Cover, Bumpers and Attaching Hardware

**Table 182 HP 8921A Replaceable Parts**

<b>Item</b>	<b>Description</b>	<b>Replacement Kit or Part Number</b>
3	BUMPER	5062-4806
4-15	MM3.08SEMPNTX	0515-0664
16,17	CATCH LATCH	5021-5483
18-21	SCREW-MACH ASSEMBLY M3 X 0.5 8MM-LG	0515-1940
240	IMPACT COVER AY	08920-61037
500,501	SCREW-MACH M4 X 0.7 10MM-LG PANHD	0515-1114
502	COVER ASSY	08920-61091
502,Item 1	GEAR RING	5021-6343
502,Item 2	SPROCKET GEAR	5021-6344
502,Item 3	HANDLE	5041-3624
502 Item 4	FOOT REAR	5041-8907
502 Item 5	TRIM CAP-HANDLE	5041-8912







---

## Diagnostics Descriptions

This chapter contains detailed descriptions of the Self-Test Diagnostic and the three Functional Diagnostics.

- Audio Frequency Diagnostics (AF\_DIAGS)
- RF Diagnostics (RF\_DIAGS)
- Miscellaneous Diagnostics (MS\_DIAGS)

Use this information when your diagnosis is ambiguous or when you want further confirmation of your diagnosis before ordering replacement assemblies.

To run the Diagnostics follow the procedures in **chapter 2, "Troubleshooting"**.

For more information read the block-diagram theory of operation that applies to the Functional Diagnostic you are running. The theory of operation is found in **chapter 8, "Block Diagrams"**.

## Description Of Self-Test Diagnostic

### Introduction

The Self-Test Diagnostic can be run three ways:

1. The test runs automatically when the Test Set is turned on. After the Test Set powers up, a message appears at the top of the display. If one or more tests fail, the message reports the failure with a hexadecimal code.

As the tests proceed, failure information with greater detail than the displayed messages is coded (at power up only) on four LEDs on the top of the Controller assembly. To see them, the Test Set's cover must be removed. See **chapter 3, "Repair"** for instructions on removing the Test Set's cover.

2. The test runs when the Test Set receives the query **\*TST?** over HP-IB. The resultant decimal code can be read over the bus.
3. The test runs when Miscellaneous Diagnostics (MS\_DIAGS) is run and the Self-Test is selected.

### Reading Self-Test Diagnostic Failure Codes From the Front Panel or HP-IB

The failure codes are listed in table 183. If more than one failure occurs, the failure code will be the sum of the individual failure codes. The nature of the failure and the assembly most-likely at fault is also listed.

**Table 183** Returned Values for Self-Test Diagnostic Failures

Detected Failure	Failed Assembly	Returned Error code	
		Hexadecimal (displayed)	Decimal (HP-IB)
Microprocessor	A7 Controller	0002	2
ROM	A7 Controller or A8 Memory <sup>a, b</sup>	0004	4
RAM	A8 Memory	0008	8
RAM	A8 Memory	0010	16
Timer	A7 Controller	0020	32
Real-Time Clock	A8 Memory	0040	64
Keyboard (stuck key)	A1 Keyboard <sup>c</sup>	0080	128
RS-232 I/O	A21 HP-IB/RS-232/Current Sense	0100	256
Serial Bus Communication	Any Non-Optional assembly <sup>2,d</sup>	0200	512
Signaling Board Self-Test	A6 Signaling Source/Analyzer <sup>2</sup>	0400	1024
CRT Controller Self-Test	A20 CRT Drive	0800	2048
Miscellaneous Hardware	Several Possible Assemblies <sup>2, e</sup>	1000	4096

- a. A7 Controller if HP 8920B; A8 Memory if HP 8920A or 8921A.
- b. This assembly may be optional or there may be an optional version of it in some Test Sets.
- c. Could also be the A7 Controller with a faulty key-down detector.
- d. This checks the ability of the Controller to communicate with any hardware on the bus.
- e. This message occurs if expected hardware is absent or non-responding to the Controller.

## Reading LED Codes

When the Self-Test Diagnostic reports a failure, more information about the failure may be available inside the Test Set. This additional information is output to the four LEDs on the top of the Controller assembly. The failure codes are layered, that is, sent out as code sequences. **Figure 50, "Reading the Self-Test Diagnostic Using the Internal LEDs," on page 601** and the tables following it document some of the more useful code sequences. You may need to run the Self-Test Diagnostic several times to figure out a particular LED sequence.

---

**NOTE:** The LEDs output Self-Test Diagnostic codes only when the Test Set is powering up. The LEDs remain off when the Self-Test Diagnostic is initiated through programming or running the Miscellaneous Diagnostics. To read the LED codes, the Test Set's cover must be removed.

---

**If the Test Set has no faults** that can be detected by the Self-Test Diagnostic, the four LEDs on the Controller assembly will light and remain on for about ten seconds. During that period, a short beep will be heard. Then the LEDs will then extinguish and remain off.

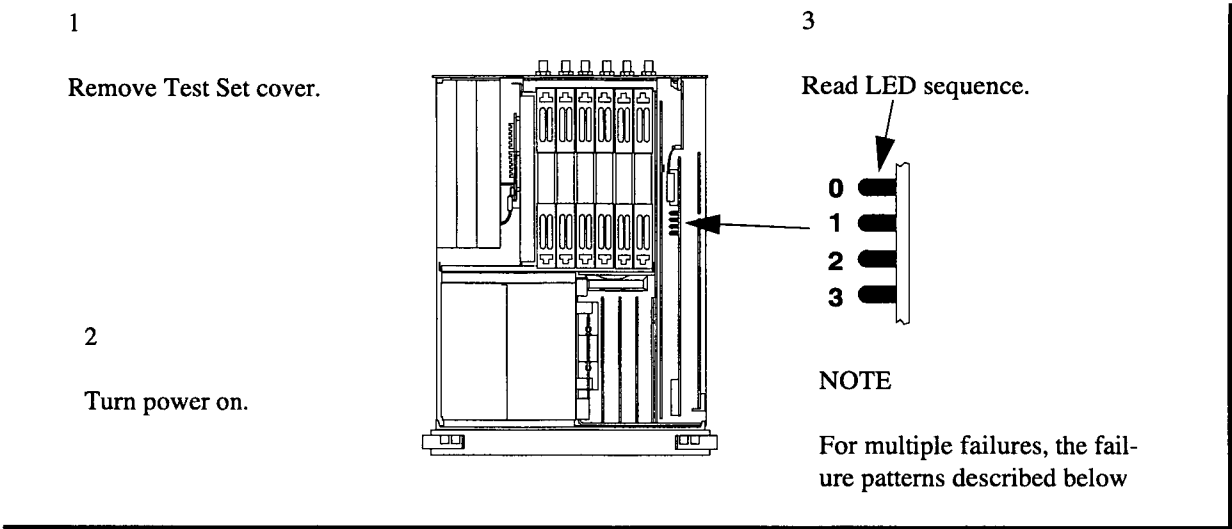
### **If a fault is detected during the test:**

1. The four LEDs will go on for about four seconds.
2. 568

The LEDs will blink a failure code which corresponds to the error listed in **Table 184, "Audio Generators 1 and 2 Failure Codes" on page 607** shows the blinking LED codes.

3. Two non-blinking LED codes will follow. The interpretation of these codes depends on the preceding blinking code. Two sets of the non-blinking codes are listed in **figure 52, "Non-blinking LED Codes For Serial Bus Communication Failure," on page 603** and **figure 53, "Non-Blinking LED Codes For Miscellaneous Hardware Failure," on page 604**.
4. If there is more than one failure, the test will loop back to step 2 and repeat until the last failure is reported.

The pattern generated by the LEDs can be interpreted as a binary-weighting code. The LED closest to the rear of the instrument (labeled "0") is the least-significant bit. For example if the LEDs output the blinking pattern: Off, On, On, On (reading front-to-back or LEDs "3 2 1 0"), the binary number is 0111 or decimal 7. The error codes shown in **table 183 on page 599** are weighted by the binary value. The weighted value for this example is decimal  $2^7 = 128$  or hexadecimal 80. (This example is easy to emulate; simply power-up the Test Set while holding a key down.)



### LED Sequences

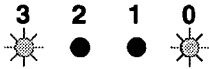
No Failures ...

The LEDs will light for about 10 seconds, then all will turn off.



Failures ...

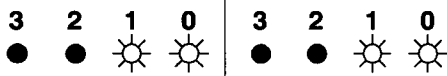
Three patterns are displayed. The first blinks rapidly and indicates the



See the following tables.

(The example indicates a Serial Bus Communication fault.)

The second and third patterns blink slowly and indicate failure details.



This manual covers only Serial Bus Communication and Miscellaneous Hardware failures.

(The example indicates a faulty A3 Audio Analyzer 1 assembly.)

**LED Legend**

- = off
- ☀ = rapid blink
- ☀ = steady on or slow blink

Figure 50 Reading the Self-Test Diagnostic Using the Internal LEDs

If the first LED pattern displayed is ...

Then the failure is ...

If the first LED pattern displayed is ...	Then the failure is ...
3 2 1 0	
● ● ● ☼	Microprocessor
● ● ☼ ●	ROM Checksum (See note 1.)
● ● ☼ ☼	RAM (See note 2.)
● ☼ ● ●	RAM (See note 3.)
● ☼ ● ☼	Timer
● ☼ ☼ ●	Real-Time Clock
● ☼ ☼ ☼	Keyboard (stuck key or faulty key-down detector)
☼ ● ● ●	RS-232 I/O
☼ ● ☼ ●	Serial Bus Communication (See figure 52)
☼ ● ☼ ☼	Signaling Board Self Test
☼ ☼ ● ●	CRT Controller Self Test

LED Legend

● = off

☼ = rapid blink

☼ = steady on or slow blink

**NOTES**

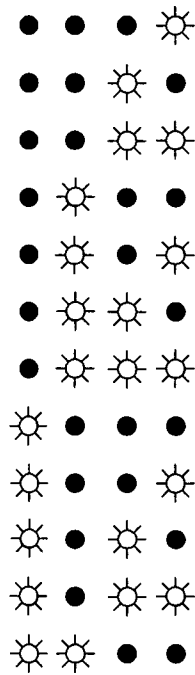
1. Second and third LED failure patterns:
- HP 8920A: 0001 and 0001 for any ROM failure
  - HP 8921A: 0001 and 0001 for any ROM failure
  - HP 8920B: 0001 and 0001 for any main ROM failure
  - 0001 and 0002 for boot ROM failure

**Figure 51 First LED Patterns**

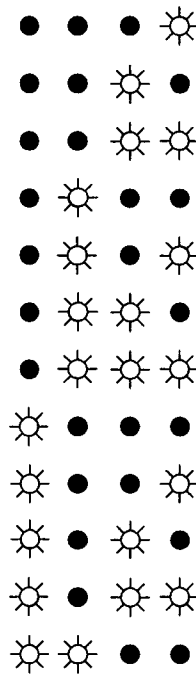
If the first LED pattern displayed is ...

Then the failure is ...

3 2 1 0



3 2 1 0



A4 Modulation Distribution

A13 Output

A3 Audio Analyzer 1

A2 Audio Analyzer 2

A15 Reference

A23 Input

A23 Input

A16 Receiver

A18 Spectrum Analyzer

A14 Signal Generator Synthesizer

A17 Receiver Synthesizer

LED Legend

● = off

☀ = rapid blink

☀ = steady on or slow blink

Figure 52

Non-blinking LED Codes For Serial Bus Communication Failure



If the first LED pattern displayed is ...		Then the failure is ...
3 2 1 0	3 2 1 0	A15 Reference
● ● ● ☀	● ● ● ☀	A3A1 Audio Filter 1 - C-Message
● ● ● ☀	● ● ☀ ●	A3A2 Audio Filter 2 - 6 kHz BPF
● ● ● ☀	● ● ☀ ☀	A2 Audio Analyzer 2 - Var Freq Notch Filter
● ● ● ☀	● ☀ ● ●	A21 HP-IB/RS-232/Current Sense - Centronics
● ● ☀ ●	● ☀ ● ☀	Cellular Adapter Analyzer Self Test Failure
● ● ☀ ☀	x x x x	
	x x x x	

x = denotes a state that depends on the Cellular Adapter attached to the test Set.

LED Legend

● = off

☀ = rapid blink

☀ = steady on or slow blink

**Figure 53 Non-Blinking LED Codes For Miscellaneous Hardware Failure**

---

## Description Of Audio Diagnostics (AF\_DIAGS)

### Introduction

The Audio Diagnostics are divided into seven tests. In each test, a diagnosis of the failures is made at the end of all the measurements in that test. Even though each test is independent from the others, it is recommended that all tests be run in the order presented on the menu screen.

The failure codes are keyed to the circuit names in the block diagrams accompanying the test explanations. If an explanation is ranked (**high**), there is a high probability that the assembly named is faulty. A rank of (**medium**) is shown when more than one assembly is listed and it is unclear which assembly is most likely at fault. A rank of (**low**) indicates that the assembly named is not the only suspect assembly.

Audio circuits not tested by the Audio Diagnostics are:

- A6 Signal Source/Analyzer - audio analyzer portion
- A4 Modulation Distribution -circuits associated with the MIC/ACC jack, AM and FM outputs
- A3 Audio Analyzer 1 - some of the inputs
- A2 Audio Analyzer 2 - speaker drive, volume control, ALC
- General - digital control

## **Audio Frequency Generators 1 and 2**

This test checks the ability of Audio Frequency Generators 1 and 2 on the A6 Signaling Source/Analyzer assembly to generate the DC levels programmed into them.

The Audio Frequency Generators are located on the Signaling/Source Analyzer assembly.

In this test, a “walking 1” (that is, 0, 1, 2, 4, ..., 1024) is input to the DAC. The DC output level is measured by the Test Set’s internal DVM through a dedicated multiplexer line. The output level should be proportional to the programmed input.

The following values are also input to the DAC:

- 2047 (which gives the highest positive output)
- 2048 (which outputs 0 V)
- 2049 (which produces the negative of the value for 2047 and is sufficient to verify that the output can accurately output a negative voltage)
- 4095

Note that the measurements are static (DC); an AC waveform should be accurate if the DC values are correct. (Other tests will implicitly confirm this.)

The measurement limits are  $\pm 10\%$  of nominal  $\pm 16$  mV offset. To keep the test simple, no attempt is made to check incremental stepping to improve accuracy at low settings. Failure information is simple enough so that it is possible to pinpoint the faulty assembly without elaborate diagnosis. The failure codes are as follows:

**Table 184** Audio Generators 1 and 2 Failure Codes

Failure Codes	Probable Cause(s)
<b>Code 1</b>	Suspect Signaling Source/Analyzer assembly (medium). (AFG1 Level Setting DAC faulty.) Or Measurement assembly (medium) (Voltmeter multiplexer problem.)
<b>Code 2</b>	Suspect Signaling Source/Analyzer assembly (medium) (AFG2 Level Setting DAC faulty.) Or Measurement assembly (medium) (Voltmeter multiplexer problem.)
<b>Code 3</b>	Suspect Measurement assembly (high) (Voltmeter problem.)

## Preliminary Audio Paths

This test checks the ability of the A4 Modulation Distribution assembly to route an audio signal from Audio Frequency Generators, to the monitor select switch, and to the AM and FM modulators. It checks that the audio leaves the A4 assembly, but does not check whether it actually gets to the AM and FM modulators. The test that follows this one (*Modulation Distribution Internal Paths*) does the fine-resolution testing of the circuits.

This is a test of the integrity of the Modulation Distribution assembly. It verifies the functioning of the signal-routing switches. The nine paths in this test are shown as heavy lines in **figure 54** through **figure 59**.

---

**NOTE:**

In these figures, three circuits on the Modulation Distribution assembly (AFG1 Amplifier, AFG1 Level Amplifier, and AFG1 Attenuator 1) are combined into one circuit block labeled AFG1 Circuits. This also applies to AFG2. Refer to **figure 61**, "Mod Distribution Internal Paths 5-8 (Paths 9-11 check Internal Pre Mod Filters)," on page 618 which explicitly shows these circuits.

---

Measurement limits are  $\pm 10\%$  of nominal when a signal is expected at the output (Paths 1, 3, 5, 6, 7, and 9). The limits are  $\pm 20$  mV when the signal should be absent (Paths 2, 4, and 8). It is also as important to check paths which are intended to block signals (that is, that expect no output) as it is to check paths that should pass signals.

Paths which block signals are open switches (in Paths 2 and 4) or blocking capacitors with DC applied (in Path 8).

All paths are stimulated with DC except Path 9. Path 9 checks the DC blocking capacitor that couples signal to the front-panel AUDIO OUT port. Path 9 is the only path that uses a Peak Detector.

All measurements in this test are made with fixed level and gain parameters. Only signal-routing switch settings and the waveform of Audio Frequency Generator 2 are changed. The fixed settings are as follows:

- Level of Audio Frequency Generators 1 and 2 (AFG1 and AFG2) set to 1 V.
- Frequency of Audio Frequency Generator 2 set to 1 kHz in AC.
- Gain of AFG 1 and 2 Level Amplifiers set to 0.784 (DAC set to 200 out of a maximum of 255).
- Attenuation of AFG1 and AFG2 Attenuator 1 set to 0 dB.
- Attenuation of AFG1 and AFG2 Attenuator 2 set to 0 dB.

These fixed final settings result in nominal DVM readings of:

- 1.725 V for Paths 1.
- 3.45 V for Path 5.
- 2.16 V for Paths 6, 7, and 9.
- 0 V for Paths 2, 4, and 8.

These settings are near optimum for the devices tested. The DAC setting of 200 (which sets the gain of the two AFG level amplifiers) is the nominal maximum. (Values between 201 and 215 are not normally used.)

The following example illustrates how the levels are determined. For Path 1:

- AFG1 input is 1 V.
- AFG1 Amplifier gain is 2.2 (6.85 dB).
- AFG1 Level Amplifier gain is set to 0.784 (-2.11 dB).
- AFG1 Attenuator 1 gain is set to 1 (0 dB).
- Modulation Select Sum Amplifier gain is 1 (0 dB).
- Other gains (switches and buffers) are 1 (0 dB).

Multiplying these settings gives 1.725 V (4.74 dBV) at the input to the DVM.

The failure codes for the preliminary audio paths are as follows:

**Table 185 Preliminary Audio Paths Failure Codes**

Failure Codes	Probable Cause(s)
<b>Code 2</b>	Suspect Modulation Distribution assembly (high) (AFG1 Modulation Select Source Switch stays closed.)
<b>Code 8</b>	Suspect Modulation Distribution assembly (high) (AFG2 Modulation Select Source Switch stays closed.)
<b>Code 17</b>	Suspect Modulation Distribution assembly (high) (AFG1 Modulation Select Source Switch open.)
<b>Code 20</b>	Suspect Modulation Distribution assembly (high) (AFG2 Modulation Select Source Switch open.)
<b>Code 21</b>	Suspect Modulation Distribution assembly (high)\ (Modulation select output problem. Check Modulation Select Source Switch (including FM Polarity amplifier, not shown in figure).)
<b>Code 31</b>	Suspect Modulation Distribution assembly (high) (Monitor Select Multiplexer Switch stays in audio output position.)
<b>Code 32</b>	Suspect Modulation Distribution assembly (high) (AFG1 Atten 2 or Audio Output Sum Amplifier open.)
<b>Code 49</b>	Suspect Modulation Distribution assembly (high) (AFG1 path problem. Check AFG1 circuits Filter Amplifier, Int Level Amplifier DAC, and Atten 1.)
<b>Code 96</b>	Suspect Modulation Distribution assembly (high) (Audio AC/DC Coupling switch open.)
<b>Code 117</b>	Suspect Audio Analyzer 2 assembly (medium) (Problem with path from the Monitor Select Input to DVM OUT.) Or Measurement assembly (low) (Voltmeter multiplexer problem.)
<b>Code 128</b>	Suspect Modulation Distribution assembly (high) (Shorted Audio AC/DC Coupling switch or capacitor.)
<b>Code 256</b>	Suspect Modulation Distribution assembly (high) (Audio AC/DC Coupling capacitor open.) Or Audio Analyzer 2 assembly (low)(Problem with path from Monitor Select input to Pos Peak Detector.) Or Measurement assembly (low) (Voltmeter multiplexer problem.)

**Table 185 Preliminary Audio Paths Failure Codes (Continued)**

Failure Codes	Probable Cause(s)
<b>Code 320</b>	Suspect Modulation Distribution assembly (high) (AFG2 Atten 2 or Audio Output Sum Amplifier open.)
<b>Code 340</b>	Suspect Modulation Distribution assembly (high) (AFG2 path problem. Check AFG2 circuits Filter Amplifiers, Internal Level Amplifier DAC, and Atten 1.)
<b>Code 352</b>	Suspect Modulation Distribution assembly (high) (Audio output problem. Check Audio Output Sum Amplifier, and Monitor Select Multiplexer switch.)
<b>Code 373</b>	Suspect Modulation Distribution assembly (high) (Monitor Select Multiplexer switch open or stays in modulation input or Microphone input position (not shown in figure).) Or Measurement assembly (low) (Voltmeter multiplexer problem.)



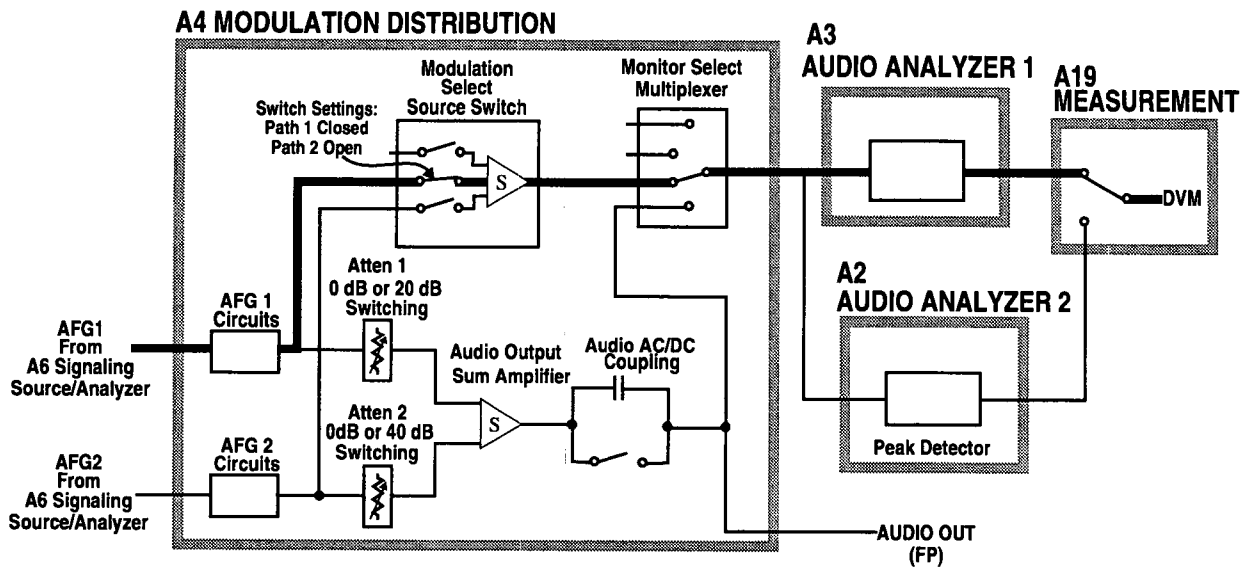


Figure 54 Preliminary Audio Paths 1 and 2

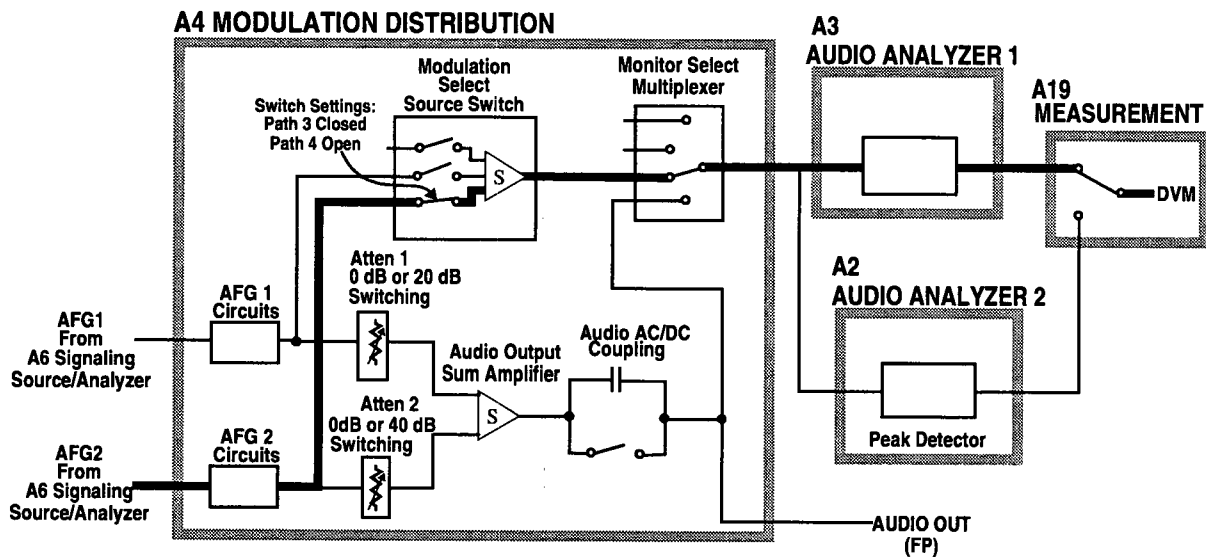


Figure 55 Preliminary Audio Paths 3 and 4

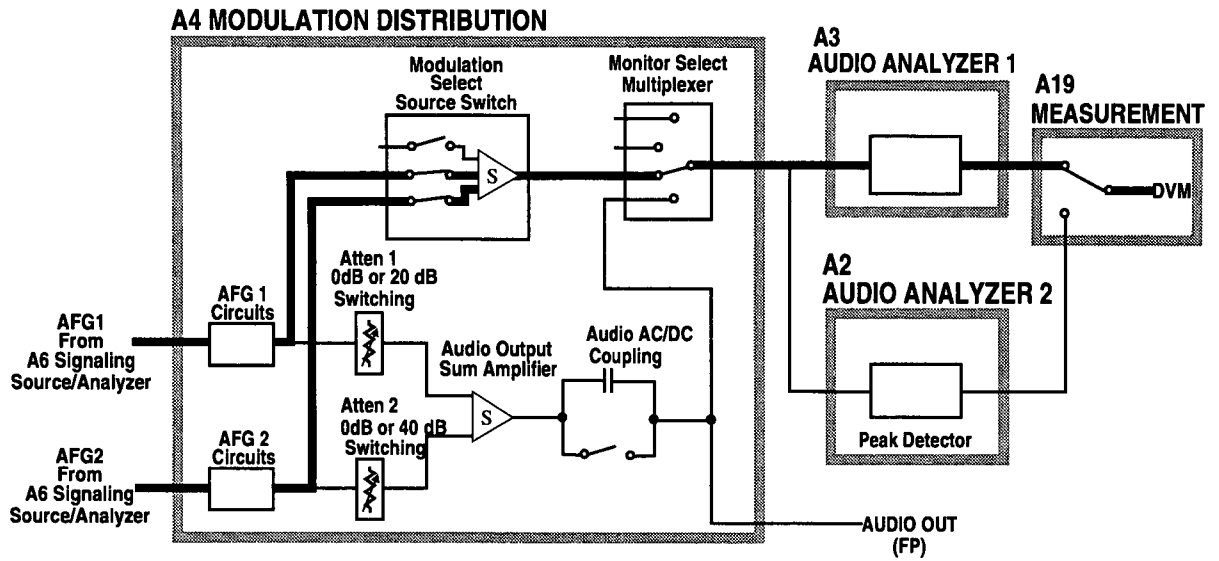


Figure 56 Preliminary Audio Path 5

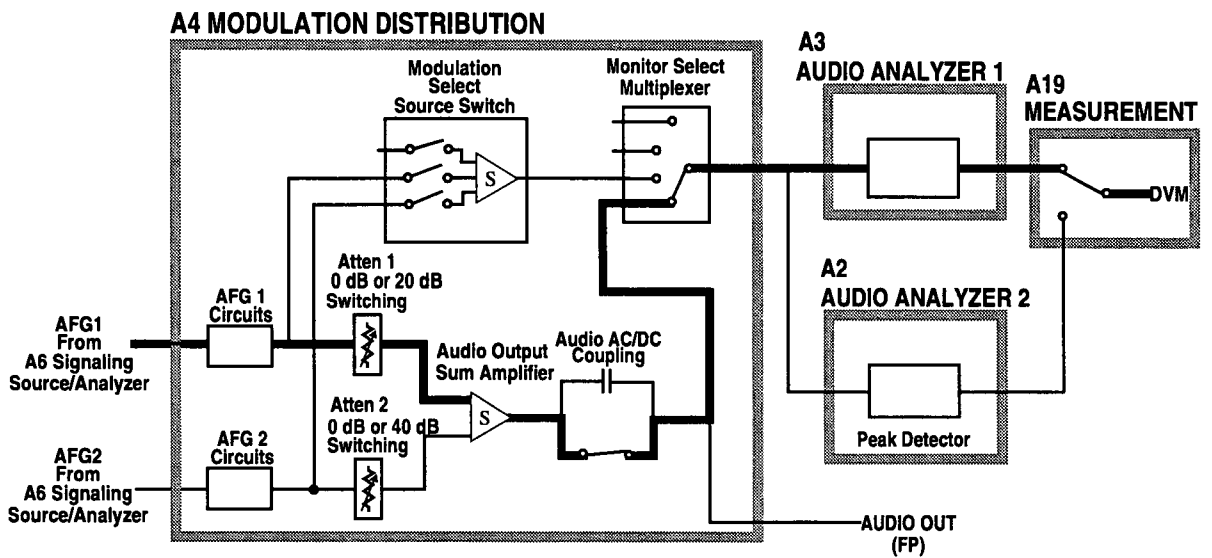


Figure 57 Preliminary Audio Path 6

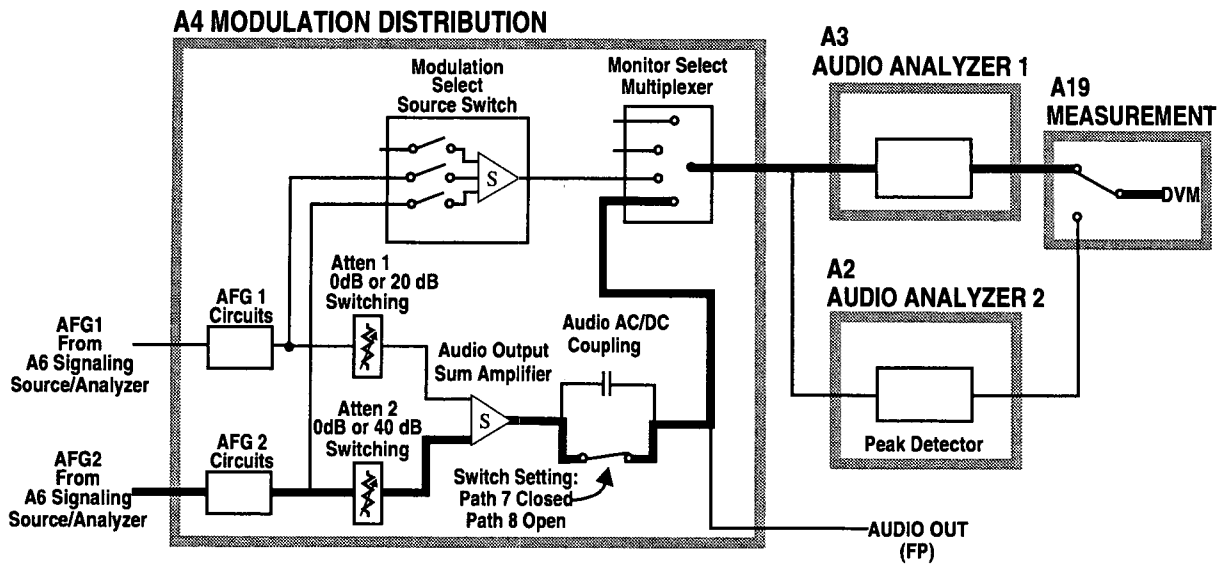


Figure 58 Preliminary Audio Path 7 and 8

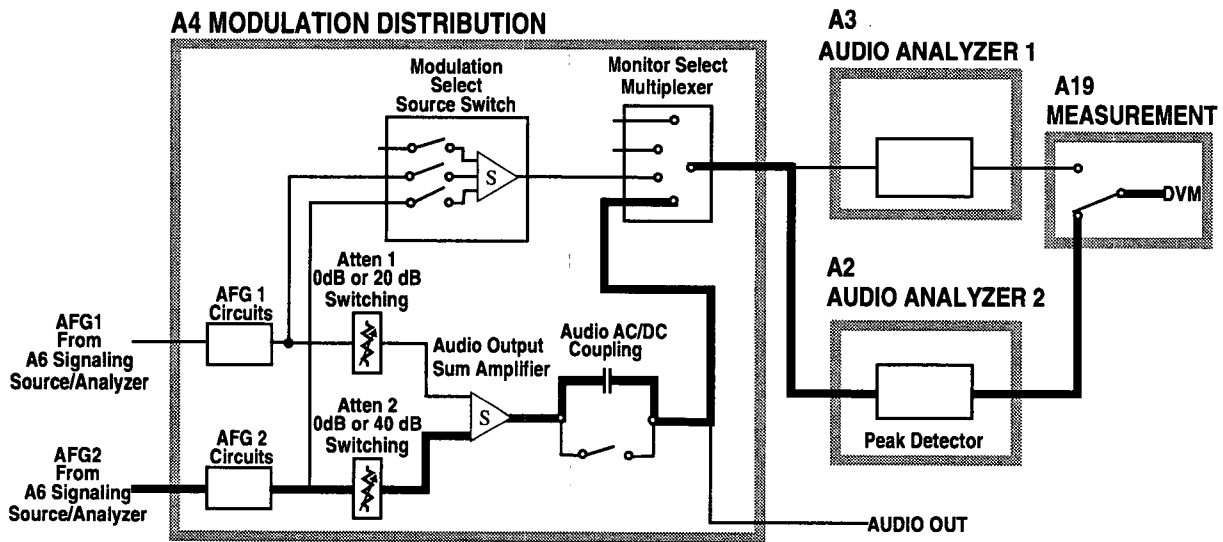


Figure 59 Preliminary Audio Path 9

## Modulation Distribution Internal Paths

This test checks out the Modulation Distribution assembly for those paths which relate to inputs from the two Audio Frequency Generators. Basically the paths are the same as in the *Preliminary Audio Paths* test; however, the circuits are tested more thoroughly by varying settable parameters (gain and attenuation). The paths are illustrated in **figure 60**, "Modulation Distribution Internal Paths 1 to 4," on page 617 and **figure 61**, "Mod Distribution Internal Paths 5-8 (Paths 9-11 check Internal Pre Mod Filters)," on page 618.

The audio sources are set to AC. The measurements at the DVM are always DC since the signal is routed to the Peak Detector in Audio Analyzer 2 (this is not shown in **figure 59** and **figure 60**). Measurement limits are  $\pm 10\%$  of nominal  $\pm 10$  mV offset when a signal is expected at the output and  $\pm 10$  mV when the signal is absent (when Attenuator 2 is set to open).

In this test, a "walking 1" (that is, 0, 1, 2, 4, ..., 128, 255) is programmed into the gain-control DAC of the Level Amplifiers. In normal use the highest DAC setting is 200. The system gain was discussed in the *Preliminary Audio Paths* test.

Attenuator 1s are set to attenuation's of 1 and 0.1. Attenuator 2s are set to attenuation's of 1, 0.01, and open. Do not confuse Attenuators 1 and 2. There are two Attenuator 1s, AFG1 Attenuator 1 and AFG2 Attenuator 1; there are two Attenuator 2s, AFG1 Attenuator 2 and AFG2 Attenuator 2.

In newer Test Sets there are three low-pass filters (150 Hz, 250 Hz, and 20 kHz) in the path for AFG2. The three filters are tested if present in measurement paths 9, 10, and 11 (not shown in **figure 61**).

The failure codes for the Modulation Distribution assembly's internal paths are as follows:

**Table 186 Modulation Distribution Internal Paths Failure Codes**

<b>Failure Codes</b>	<b>Probable Cause(s)</b>
<b>Code 2</b>	Suspect Modulation Distribution assembly (high) (AFG1 Atten 1 stays at gain=1.)
<b>Code 5</b>	Suspect Modulation Distribution assembly (high) (AFG1 Atten 1 stays at gain=0.1.)
<b>Code 7</b>	Suspect Modulation Distribution assembly (high) AFG1 path problem. Check AFG1 Filter/Amplifiers, Int Level Amplifier DAC, and Atten 1 and 2.)
<b>Code 11</b>	Suspect Modulation Distribution assembly (high) (AFG1 Atten 2 stays at gain=0.01.)
<b>Code 12</b>	Suspect Modulation Distribution assembly (high) (AFG1 Atten 2 stays at gain=1.)
<b>Code 32</b>	Suspect Modulation Distribution assembly (high) (AFG2 Atten 1 stays at gain=1.)
<b>Code 80</b>	Suspect Modulation Distribution assembly (high) (AFG2 Atten 1 stays at gain=0.1.)
<b>Code 112</b>	Suspect Modulation Distribution assembly (high) (AFG2 path problem. Check AFG2 Filter/Amplifiers, Int Level Amplifier DAC, and Atten 1 and 2.)
<b>Code 119</b>	Suspect Modulation Distribution assembly (high) (Path from Audio Output Sum Amplifier through Monitor Select Multiplexer open.) OR Audio Analyzer 2 assembly (low) (Path from the Monitor Select Input to DVM OUT faulty.)
<b>Code 176</b>	Suspect Modulation Distribution assembly (high) (AFG2 Atten 2 stays at gain=0.01.)
<b>Code 192</b>	Suspect Modulation Distribution assembly (high) (AFG2 Atten 2 stays at gain=1.)

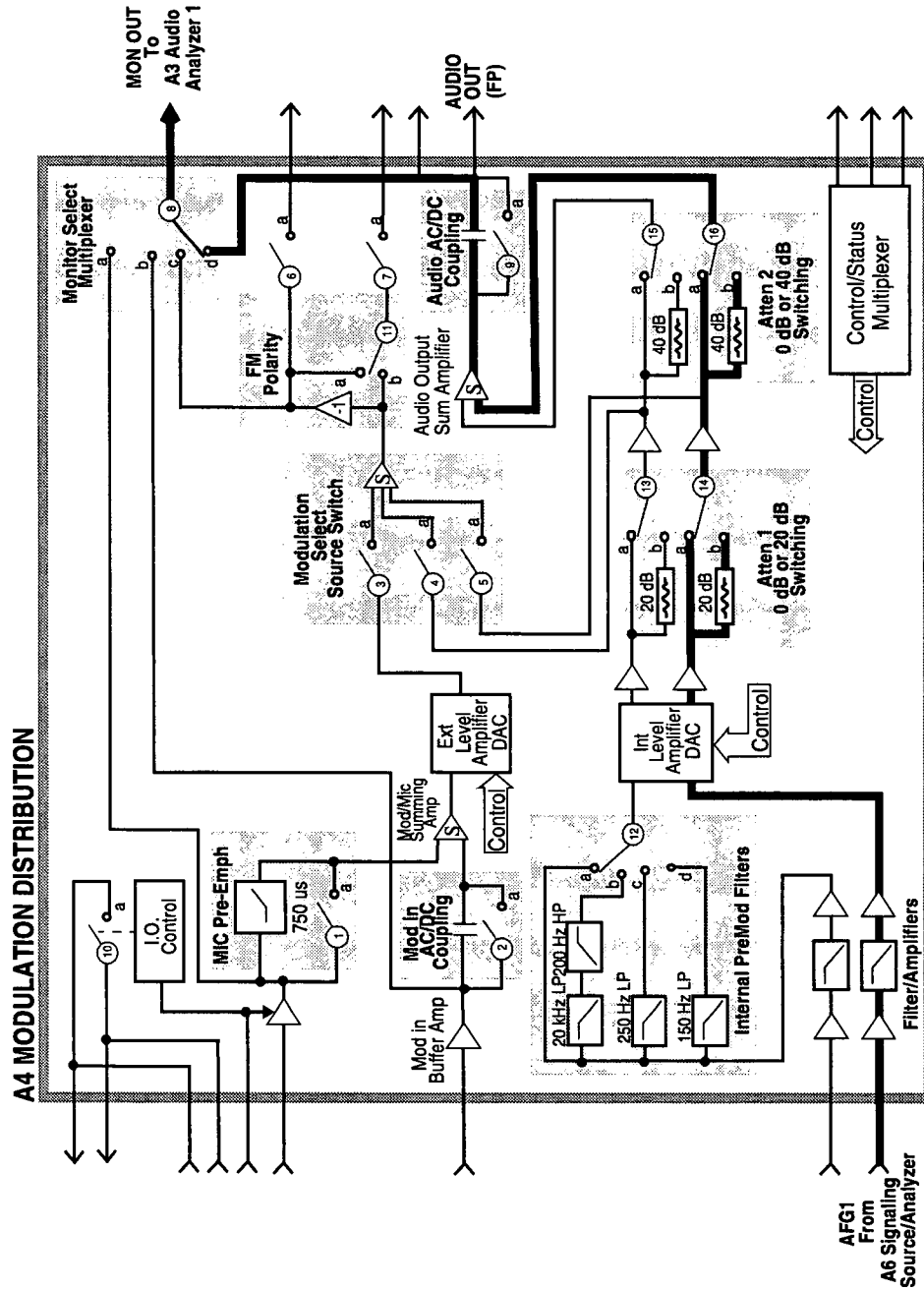


Figure 60 Modulation Distribution Internal Paths 1 to 4

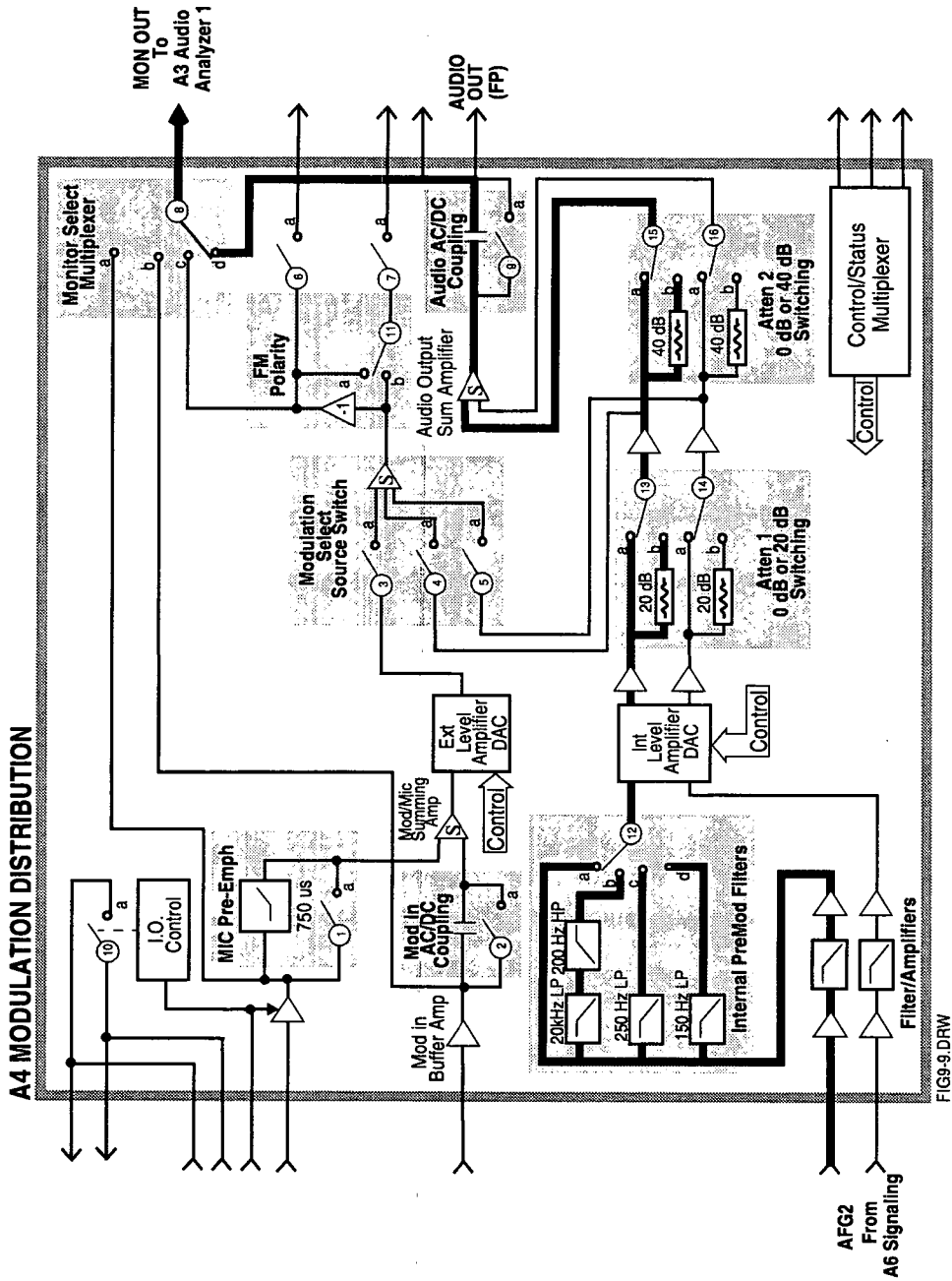


Figure 61 Mod Distribution Internal Paths 5-8 (Paths 9-11 check Internal Pre Mod Filters)

## Modulation Distribution External Paths

This test checks the ability of the A4 Modulation Distribution assembly to route an external modulation signal to the monitor output of the A4 assembly. It also checks the ability of the A4 assembly to adjust the level of an external modulation signal. The paths which relate to internal inputs are checked in the previous test.

This test checks the Modulation Distribution assembly's path from the rear-panel MODULATION INPUT to the Monitor Select output. Before doing this, the path from Audio Frequency Generator 1 to the Monitor Select is checked to assure that the audio source can be used as an external test signal via the front-panel AUDIO OUT connector. The paths are illustrated in figure 62 through figure 65 .

Audio Generator 1 is the signal source for all measurements (internal or external). The signal is DC except where AC coupling is checked (Path 7). Measurement limits are  $\pm 10\%$  of nominal when a signal is expected at the output, and  $\pm 40$  mV when the signal is absent (this occurs when the Modulation Select Source Switch is set to open and when DC is applied to blocking capacitor of Mod In AC/DC coupling). However, the limit on DAC-gain controlled amplifiers is  $\pm 10\%$  of nominal  $\pm 40$  mV.

In Path 1 the integrity of the internal signal at the AUDIO OUT connector is tested. In Path 2 the signal is routed externally to the MODULATION INPUT connector where it is measured through the shortest path (which goes from the output of the Modulation Input Buffer Amplifier to the Monitor Multiplexer Select Source switch).

The strategy for checking the DAC-controlled external level amplifier is similar to the strategy for the previous test. This amplifier has two variable-gain stages: (1) a stage which sets the level based on user input and (2) a fine-adjustment stage which is factory- or user-calibrated to correct for variations in overall path gain. Stage 1 is tested with a "walking 1"; stage 2 is tested at one point (DAC set to 255).

The external attenuator is checked for gains of 1 and 0.1.

The failure codes for the Modulation Distribution assembly's external paths are as follows:



**Table 187 Modulation Distribution External Paths Failure Codes**

Failure Codes	Probable Cause(s)
<b>Code 1</b>	Suspect Modulation Distribution assembly (high) (Audio output path problem from AUDIO OUT junction to Monitor Select Multiplexer output.)
<b>Code 3</b>	Suspect Modulation Distribution assembly (high) (Monitor Select Multiplexer switch stays in Mod Select position.)
<b>Code 4</b>	Suspect Modulation Distribution assembly (high) (The calibration portion of Ext Level Amplifier DAC stays at a low setting or has low gain.)
<b>Code 8</b>	Suspect Modulation Distribution assembly (high) (Ext Level Amplifier Attenuation stays at gain=1 or Ext Level Amplifier DAC stays at high gain.)
<b>Code 12</b>	Suspect Modulation Distribution assembly (high) (Mod In AC/DC Coupling switch is always open.)
<b>Code 16</b>	Suspect Modulation Distribution assembly (high) External switch 3 of Modulation Select Source stays closed.)
<b>Code 32</b>	Suspect Modulation Distribution assembly (high) (Mod In AC/DC Coupling switch or capacitor is shorted.)
<b>Code 64</b>	Suspect Modulation Distribution assembly (high) (The Mod In AC/DC Coupling capacitor is open.)
<b>Code 68</b>	Suspect Modulation Distribution assembly (high) (Ext Level Amplifier Attenuation stays at gain=0.1.)
<b>Code 76</b>	Suspect Modulation Distribution assembly (high) (The Modulation Input path is faulty. Check Modulation/Mic Summing Amp, Ext Level Amplifier DAC, Ext Level Amplifier Attenuation, and Modulation Select Source Switch summing amplifier or switches.)
<b>Code 78</b>	Suspect Modulation Distribution assembly (high) (The path from AUDIO OUT to MODULATION INPUT or Mod In Buffer Amp is faulty.)
<b>Code 79</b>	Suspect Modulation Distribution assembly (high) (AFG1 path problem. Check AFG1 Filter/Amplifiers, Int Level Amplifier DAC, and Atten 1 and 2.) Or path from Audio Output Sum Amplifier to Monitor Select Multiplexer output is faulty.) Or Measurement assembly (low) (Voltmeter multiplexer problem.)
<b>Code 125</b>	Suspect Modulation Distribution assembly (high) (Monitor Select Multiplexer switch stays in modulation input position c.)
<b>Code 126</b>	Suspect Modulation Distribution assembly (high) (Monitor Select Multiplexer switch stays in audio output position d.)

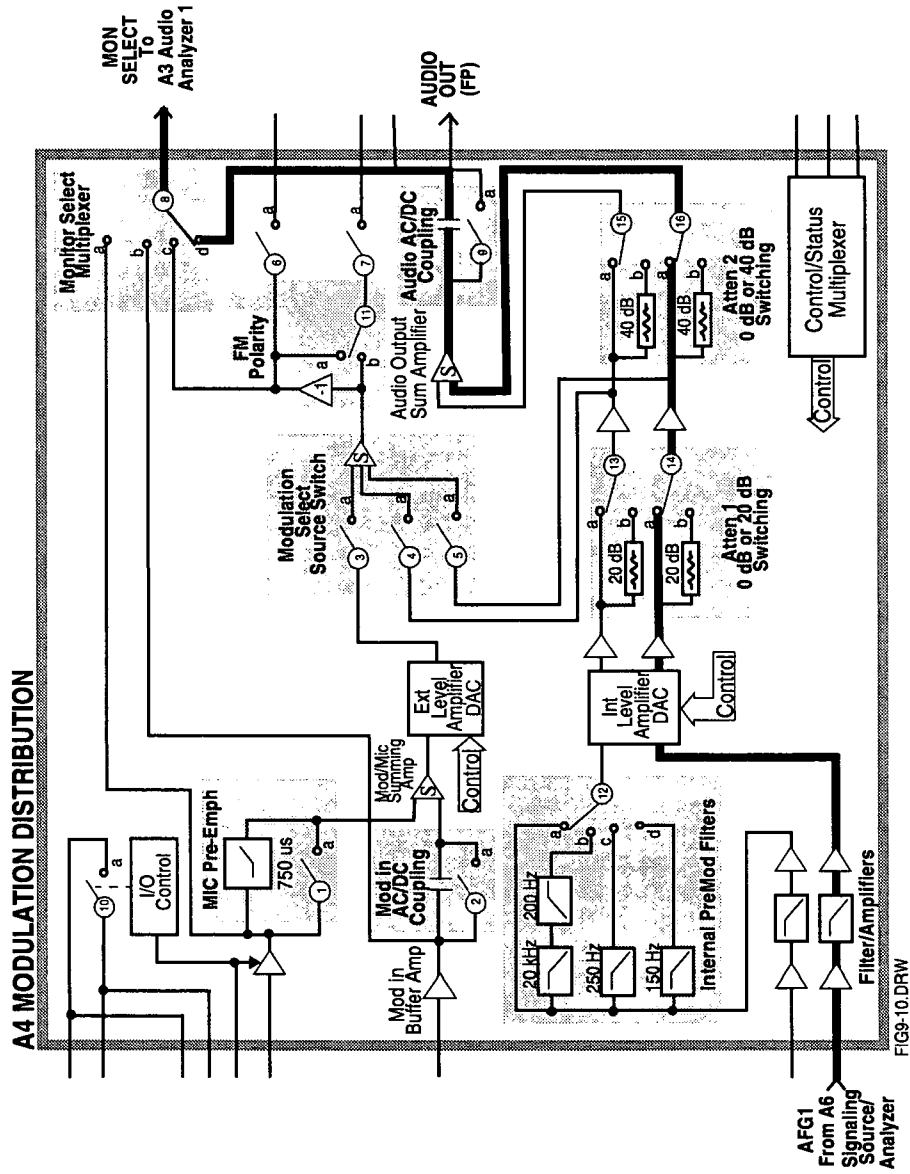


Figure 62 Modulation Distribution External Path 1

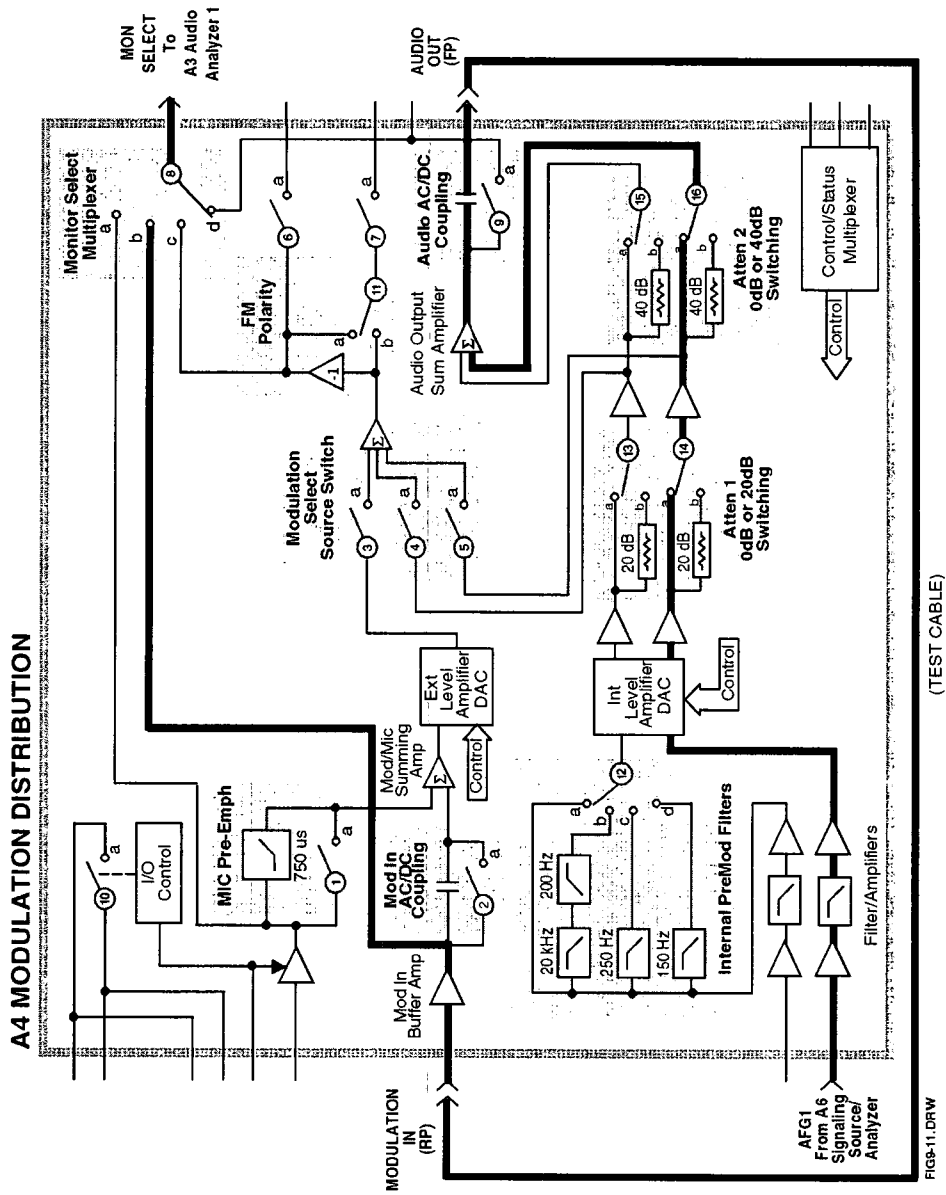


Figure 63 Modulation Distribution External Path 2

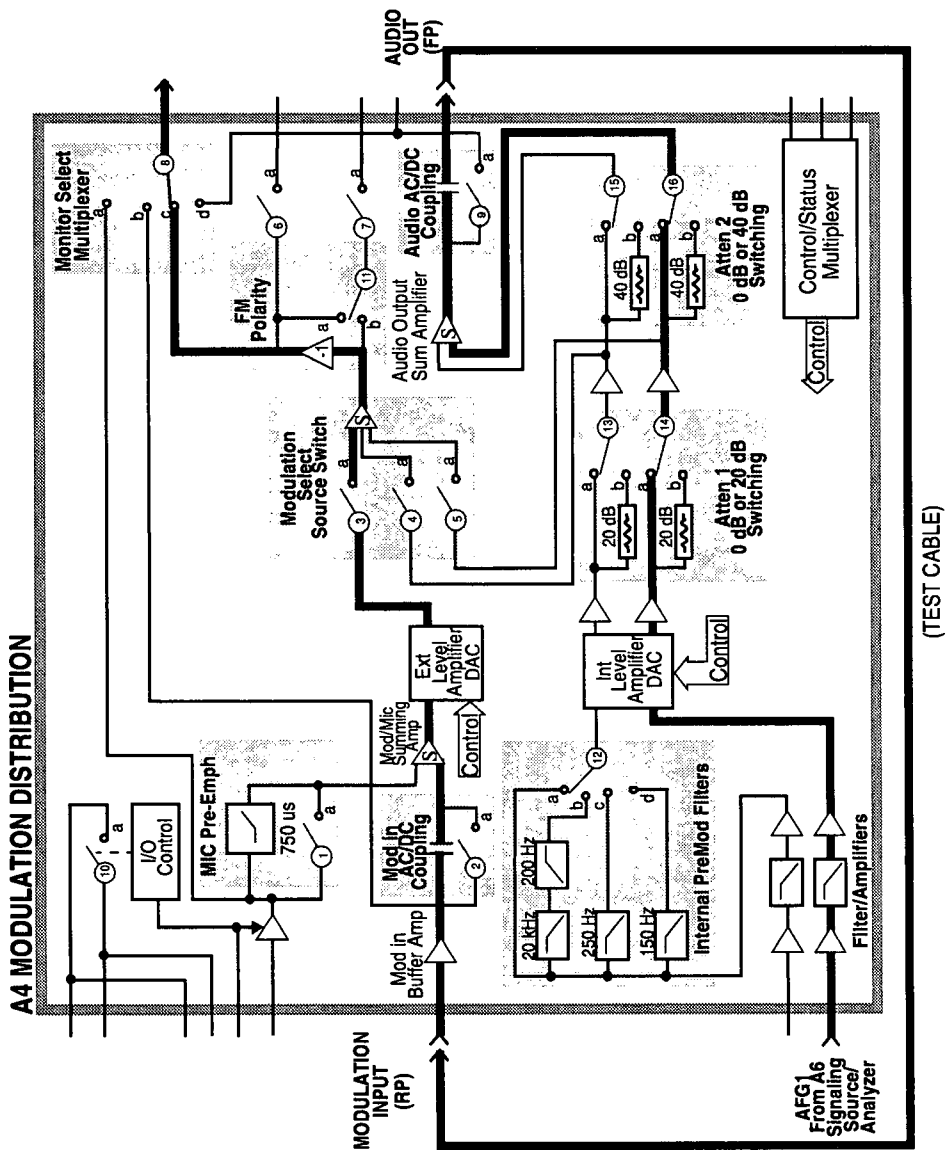


Figure 64

Modulation Distribution External Paths 3 to 7

## Audio Analyzer 1 Internal Paths

This test checks Audio Analyzer 1's paths which receives the input from the Modulation Distribution assembly. The paths are illustrated in **figure 65, "Audio Analyzer 1 Internal Path 1,"** on page 627, **figure 66, "Audio Analyzer 1 Internal Paths 2 to 4,"** on page 628, and **figure 67, "Audio Analyzer 1 Internal Paths 5 to 12,"** on page 629.

In Path 1, the audio source is set to DC. The simplest path through the Modulation Distribution assembly is chosen. The signal passes through Audio Analyzer 1 by this path to the DVM. In Path 2, the source is set to AC and the signal is peak detected before being measured by the DVM. In Paths 2 to 4, the gain of the Programmable Input Gain amplifier is tested for gains of 1, 10, and 100 (0, 20, 40 dB). The input signal is adjusted to keep the signal level in the range of the circuits that follow. In Paths 5 to 12, the frequency response of the filters are tested.

Paths 8 and 12 specifically test the optional filters. The presence and identification of the filters is determined by measuring a DC voltage from a resistive divider on the filter daughter-board. 0 V corresponds to no filter present; 0.95 to 1.1 V indicates the 400 Hz high-pass filter (Option 010); and so forth. Measurement limits are based on the specified frequency response.

The measurement limits are  $\pm 10\%$  of nominal  $\pm 10$  mV offset for levels not involved with frequency responses (Paths 1 to 5). Through the filters, the measurement limits vary:  $\pm 20\%$  in the passband and much wider in the stopband (Paths 6 to 12).

The failure codes for Audio Analyzer 1's internal paths are as follows:

**Table 188 Audio Analyzer 1 Internal Paths Failure Codes**

<b>Failure Codes</b>	<b>Probable Cause(s)</b>
<b>Code 1</b>	Suspect Audio Analyzer 1 assembly (high) (Failure in path from Input Buffer Amplifier to DVM Select Switch Out.)
<b>Code 12</b>	Suspect Audio Analyzer 1 assembly (high) (Programmable Input Gain stays at gain=1.)
<b>Code 14</b>	Suspect Audio Analyzer 1 assembly (high) (Audio Range Peak Detector faulty.)
<b>Code 15</b>	Suspect Audio Analyzer 1 assembly (high) (DVM Select Switch faulty.)
<b>Code 32</b>	Suspect Audio Analyzer 1 assembly (high) (50 Hz HPF faulty.)
<b>Code 64</b>	Suspect Audio Analyzer 1 assembly (high) (300 Hz HPF faulty or HPF select switch stays at 50 Hz HPF.)
<b>Code 96</b>	Suspect Audio Analyzer 1 assembly (high) (HPF select switch stays in bypass.)
<b>Code 256</b>	Suspect Audio Analyzer 1 assembly (high) (300 Hz HPF faulty.)
<b>Code 288</b>	Suspect Audio Analyzer 1 assembly (high) (HPF select switch stays in 300 Hz HPF position.)
<b>Code 512</b>	Suspect Audio Analyzer 1 assembly (high) (3 kHz HPF faulty.)
<b>Code 768</b>	Suspect Audio Analyzer 1 assembly (high) (LPF select switch stays in 15 kHz LPF position.)
<b>Code 1024</b>	Suspect Audio Analyzer 1 assembly (high) (15 kHz HPF faulty.)
<b>Code 1280</b>	Suspect Audio Analyzer 1 assembly (high) (LPF select switch stays in 3 kHz LPF position.)
<b>Code 1648</b>	Suspect Audio Analyzer 1 assembly (high) (LPF select switch stays in 300 Hz LPF position.)
<b>Code 1792</b>	Suspect Audio Analyzer 1 assembly (high) (LPF select switch stays in bypass position.)

**Table 188            Audio Analyzer 1 Internal Paths Failure Codes (Continued)**

Failure Codes	Probable Cause(s)
<b>Code 1904</b>	Suspect Audio Analyzer 1 assembly (high) (HPF select switch open, LPF select switch open, or DVM Select Switch stays in Audio Range Peak Det position.) Or Audio Analyzer 2 assembly (low) (Path from Filtered Audio Input to DVM Select Output faulty.)
<b>Code 1910</b>	Suspect Audio Analyzer 1 assembly (high) (Programmable Input Gain stays at gain=100.)
<b>Code 1914</b>	Suspect Audio Analyzer 1 assembly (high) (Programmable Input Gain stays at gain=10.)
<b>Code 1916</b>	Suspect Audio Analyzer 1 assembly (high) (DVM Select Switch stays in Input Buffer Amplifier position d.)
<b>Code 1918</b>	Suspect Audio Analyzer 1 assembly (high) (Programmable Input Gain faulty.)
<b>Code 1919</b>	Suspect Audio Analyzer 1 assembly (high) (Input Select Switch, Input Buffer Amplifier, HPF select switch, filter buffer amplifier, LPF select switch, filtered output amplifier, or DVM Select Switch failed; or Optional High Pass or Low Pass filters missing.) Or Modulation Distribution assembly (low) (Faulty signal from Monitor Select Multiplexer output.)

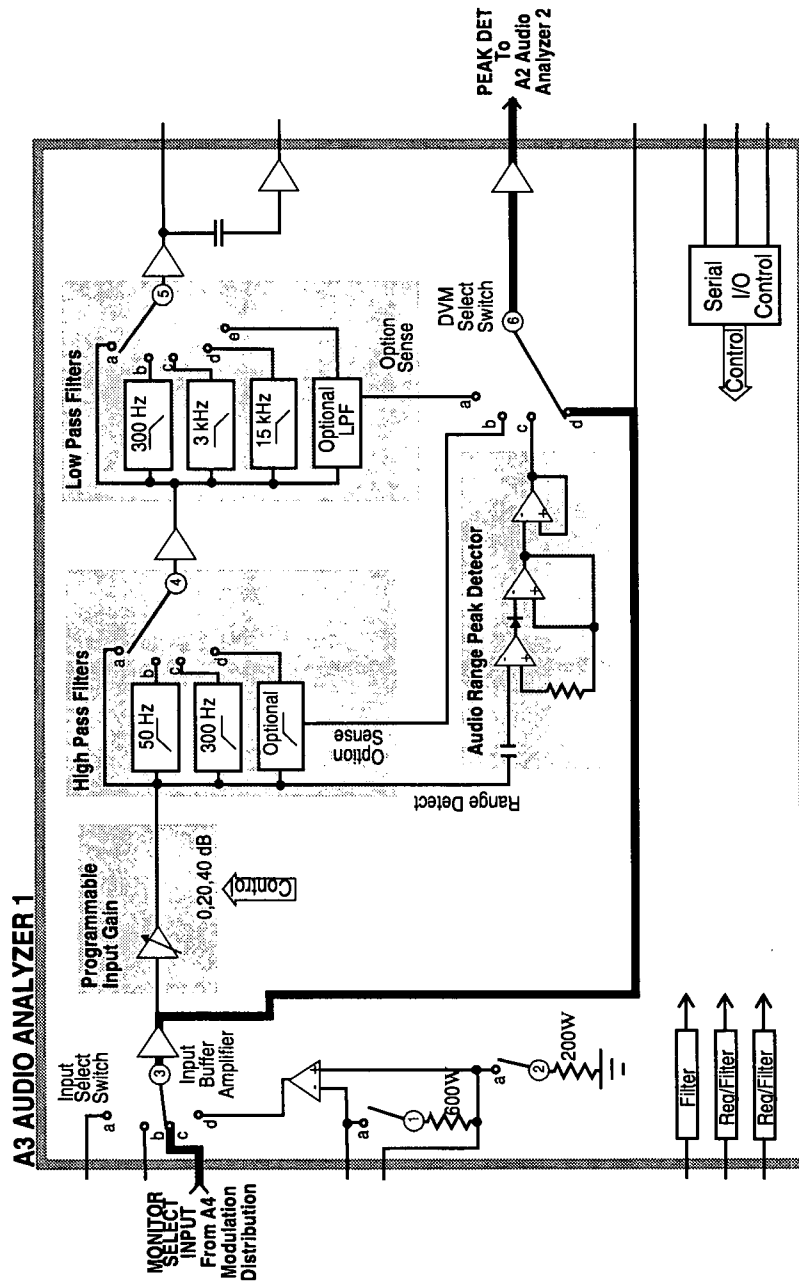


Figure 65 Audio Analyzer 1 Internal Path 1



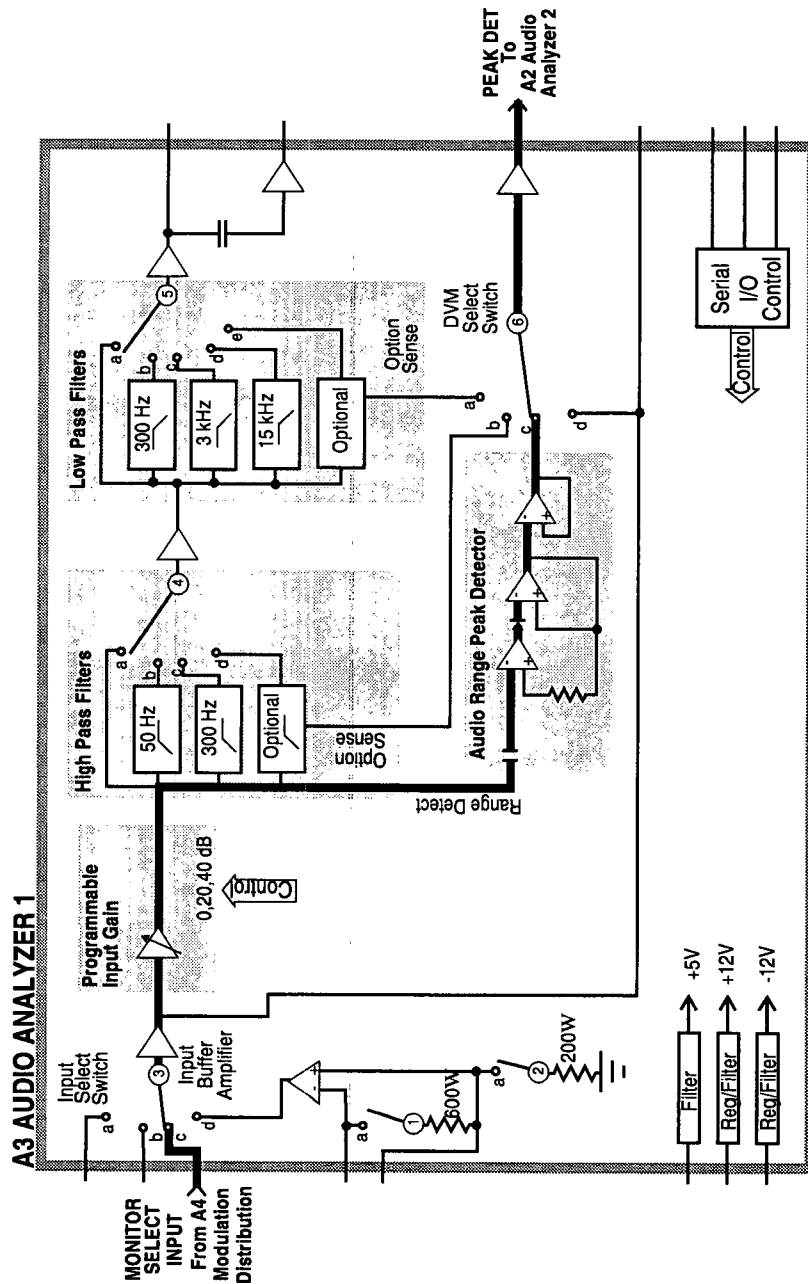


Figure 66 Audio Analyzer 1 Internal Paths 2 to 4

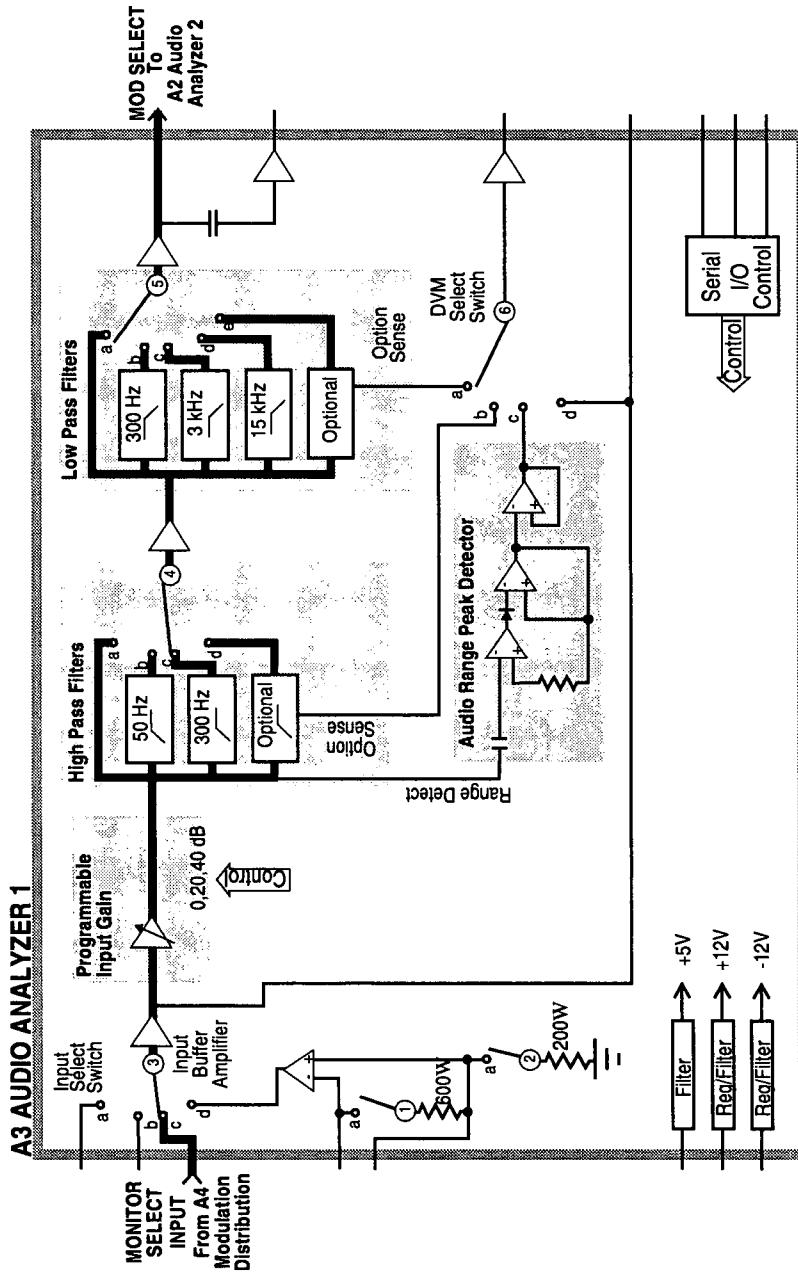


Figure 67 Audio Analyzer 1 Internal Paths 5 to 12

### Audio Analyzer 1 External Paths

This test checks Audio Analyzer 1's path which receives its input from the front-panel AUDIO IN connector. The path which receives the internal inputs is checked in the previous test. The source for this test is the Audio Frequency Generator 1 which routes through the Modulation Distribution assembly and an external cable from the front-panel AUDIO OUT connector. The external path is illustrated in figure 68, "Audio Analyzer 1 External Path 1," on page 631. A check to verify that the input switch can switch out of the audio input position is performed. The check of the input switch is the same as depicted in figure 66, "Audio Analyzer 1 Internal Paths 2 to 4," on page 628.

The test limits for the audio input is  $\pm 10\%$  of nominal. The limits for the decoupled audio input is  $\pm 20$  mV. The Peak Detector converts the AC signal to DC.

The failure codes for the Audio Analyzer's external paths are as follows:

**Table 189** Audio Analyzer 1 External Paths Failure Codes

Failure Codes	Probable Cause(s)
Code 1	Suspect Audio Analyzer assembly (high) (Input Select Switch stays in Audio Input position d.)
Code 2	Suspect Audio Analyzer 1 (medium) or cable (medium)

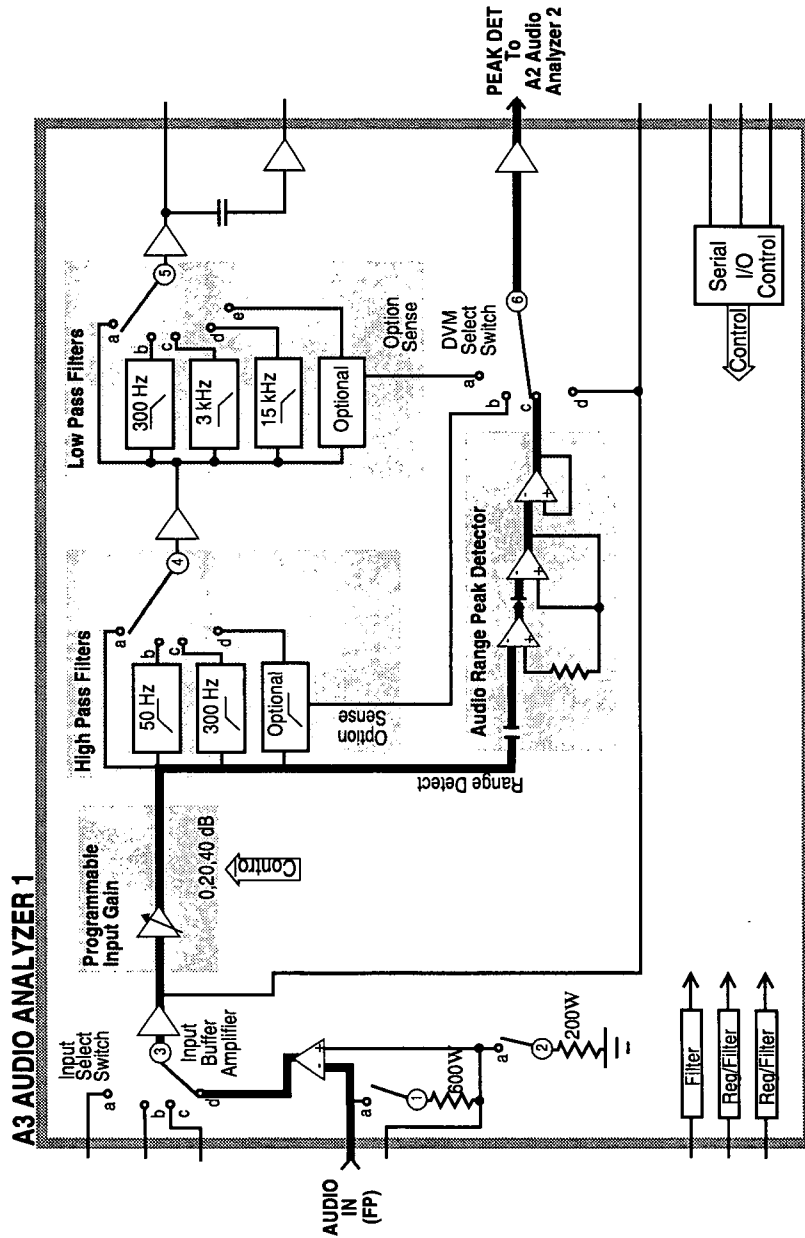


Figure 68 Audio Analyzer 1 External Path 1

## Audio Analyzer 2 Paths

This test checks Audio Analyzer 2. The source for this test is Audio Frequency Generator 1 which is always set to AC. The signal from Audio Frequency Generator 1 passes through the Modulation Distribution assembly, through the Modulation Select Source Switch, and the Monitor Select Multiplexer. It bypasses Audio Analyzer 1. The test paths are illustrated in **figure 69** to **figure 74** .

The gain of the Detector Range Amplifier (Paths 5 to 7) is 3.16, 10, and 31.6 corresponding to gains of 10 dB, 20 dB, and 30 dB. The gain of the Post-Notch Amplifier (Paths 11 to 14 in **figure 71**, "**Audio Analyzer 2 Path 8**," on **page 637**) is similar.

At the beginning of this test, a check is made to determine if the variable-frequency Notch Filter is present. (This filter is standard in some Test Set models and optional in others). If the variable-frequency notch filter is present, the measurement for Path 9 is altered:

- For Test Sets with a fixed-frequency (1 kHz) notch filter, the input is set to 50 Hz (within the passband of the filter) and the output of the post-notch RMS Detector is measured.
- For Test Sets with the variable-frequency notch filter, the input is set to 1 kHz and the notch output is nulled using a notch-error detector in conjunction with a DAC-setting routine. (The notch-error detector is not shown in **figure 71**, "**Audio Analyzer 2 Path 8**," on **page 637**, but it is multiplexed with the pre-notch RMS detector.)

The test then proceeds as if the filter were fixed at 1 kHz and measurements are made at the output of the filter for input frequencies of 500, 1000, and 2000 Hz.

The failure codes for Audio Analyzer 2's paths are as follows:

**Table 190 Audio Analyzer 2 Paths Failure Codes**

<b>Failure Codes</b>	<b>Probable Cause(s)</b>
<b>Code 1</b>	Suspect Audio Analyzer 2 assembly (high) (Peak Detector Select Switch stays in position <b>b.</b> )
<b>Code 2</b>	Suspect Audio Analyzer 2 assembly (high) (Neg Peak Detector faulty or DVM Select Switch stays in position <b>b.</b> )
<b>Code 3</b>	Suspect Audio Analyzer 2 assembly (high) (Coupling capacitor following Peak Detector Buffer Amplifier faulty, not shown in figure.)
<b>Code 8</b>	Suspect Audio Analyzer 2 assembly (high) (De-Emphasis LPF faulty or De-Emphasis select switch stays in position <b>a.</b> )
<b>Code 112</b>	Suspect Audio Analyzer 2 assembly (high) (Detector Range Amplifier stays at gain=1.)
<b>Code 120</b>	Suspect Audio Analyzer 2 assembly (high) (Peak Detector Select Switch stays in position <b>a.</b> )
<b>Code 125</b>	Suspect Audio Analyzer 2 assembly (high) (Pos Peak Detector faulty or DVM Select Switch stays in position <b>a.</b> )
<b>Code 127</b>	Suspect Audio Analyzer 2 assembly (high) (Peak Detector Select Switch open.)
<b>Code 128</b>	Suspect Audio Analyzer 2 assembly (high) (Pre-notch RMS Detector faulty or DVM Select Switch stays in position <b>c.</b> )
<b>Code 756</b>	Suspect Audio Analyzer 2 assembly (high) (De-emphasis select switch stays in position <b>b.</b> )
<b>Code 6912</b>	Suspect Audio Analyzer 2 assembly (high) (Post-Notch Amplifier stays at gain=3.)
<b>Code 12032</b>	Suspect Audio Analyzer 2 assembly (high) (Post-Notch Amplifier stays at gain=30.)
<b>Code 14080</b>	Suspect Audio Analyzer 2 assembly (high) (Post-Notch Amplifier stays at gain=10.)
<b>Code 15360</b>	Suspect Audio Analyzer 2 assembly (high) (Post-Notch amplifier stays at gain=1.)

**Table 190                      Audio Analyzer 2 Paths Failure Codes (Continued)**

<b>Failure Codes</b>	<b>Probable Cause(s)</b>
<b>Code 16128</b>	Suspect Audio Analyzer 2 assembly (high) (Notch Filter, Post-Notch Amplifier, or post-notch RMS Detector faulty or DVM Select Switch stays in position d.)
<b>Code 16316</b>	Suspect Audio Analyzer 2 assembly (high) (Detector Range Amplifier stays at gain=30.)
<b>Code 16348</b>	Suspect Audio Analyzer 2 assembly (high) (Detector Range Amplifier stays at gain=10.)
<b>Code 16364</b>	Suspect Audio Analyzer 2 assembly (high) (Detector Range Amplifier stays at gain=3.)
<b>Code 16380</b>	Suspect Audio Analyzer 2 assembly (high) (De-emphasis select switch open or Detector Range Amplifier faulty.)
<b>Code 16382</b>	Suspect Audio Analyzer 2 assembly (high) (Monitor Select Output Amplifier, Monitor Select output LPF, or input select switch faulty.) Or Modulation Distribution assembly (low) (Faulty signal from Monitor Select Multiplexer output.)

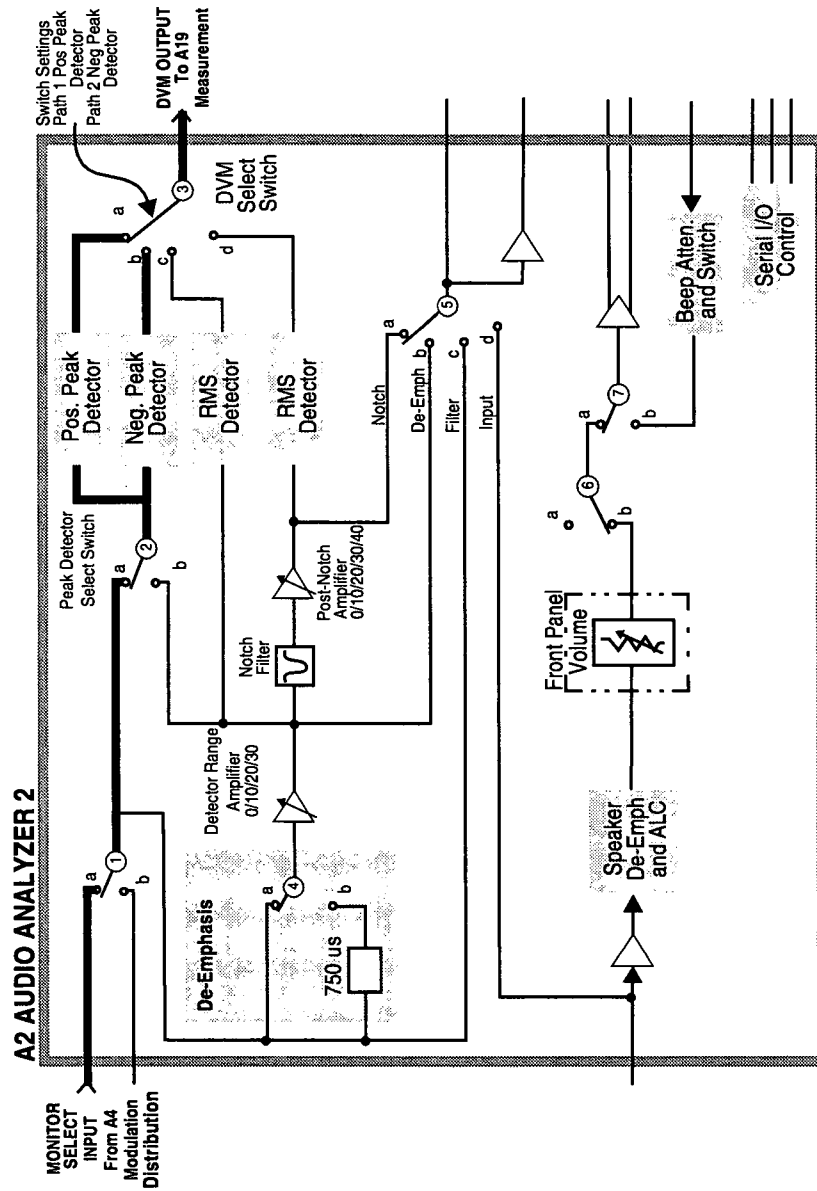


Figure 69 Audio Analyzer 2 Paths 1 and 2



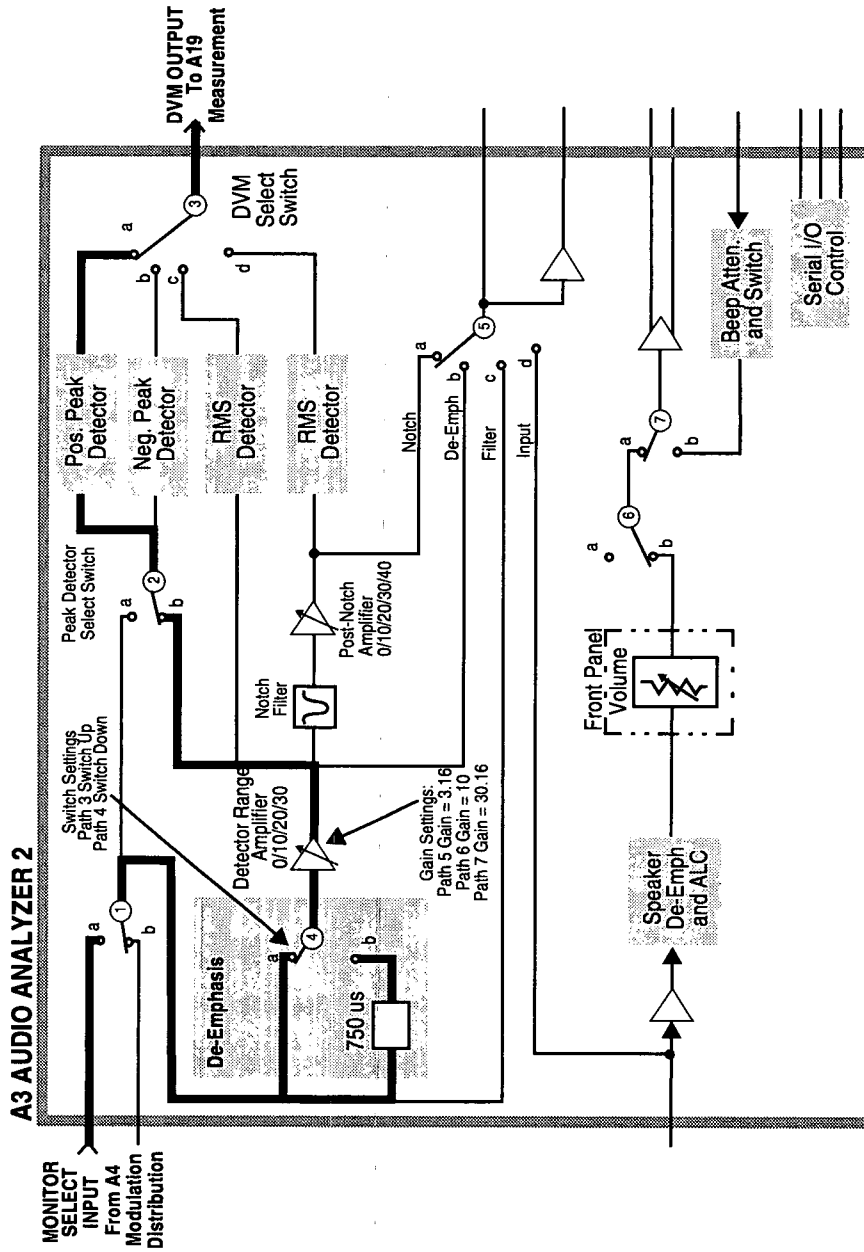


Figure 70 Audio Analyzer 2 Paths 3 to 7

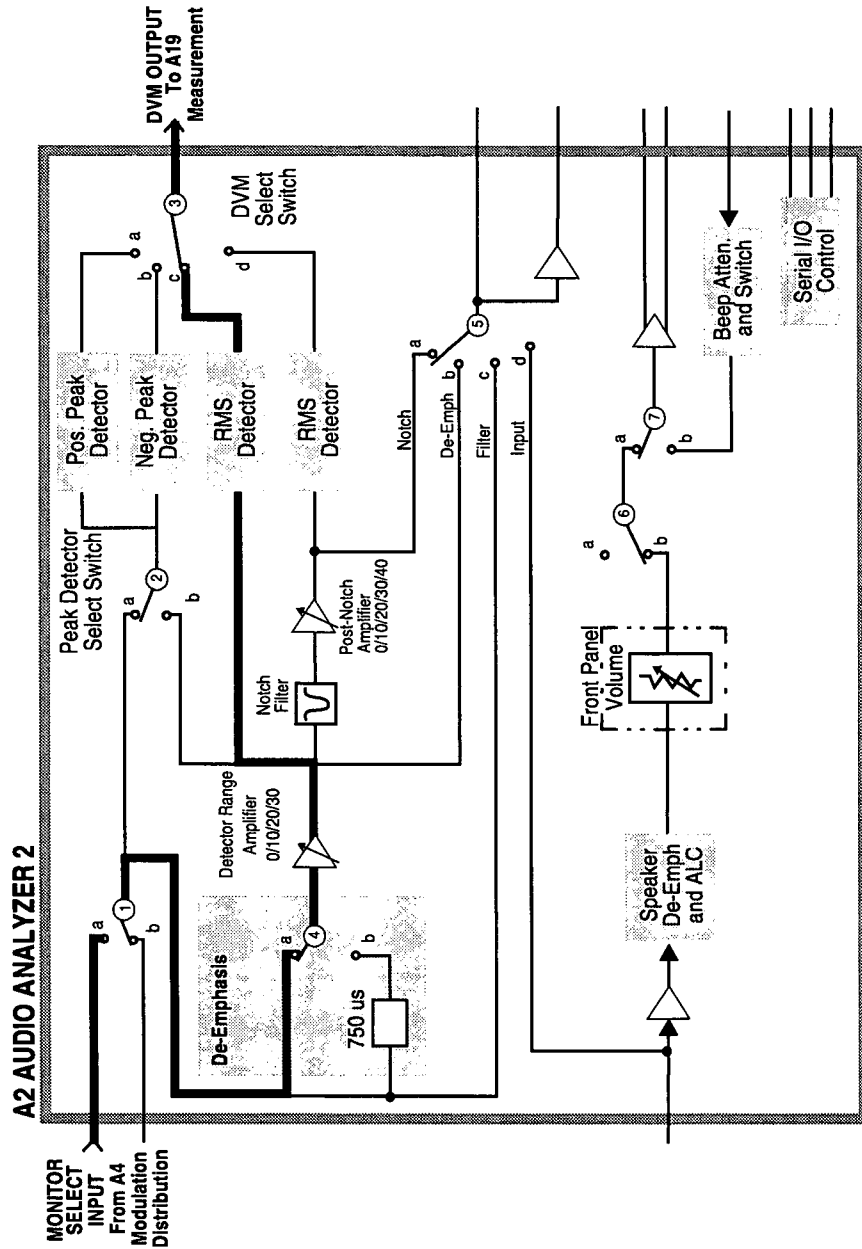


Figure 71

Audio Analyzer 2 Path 8

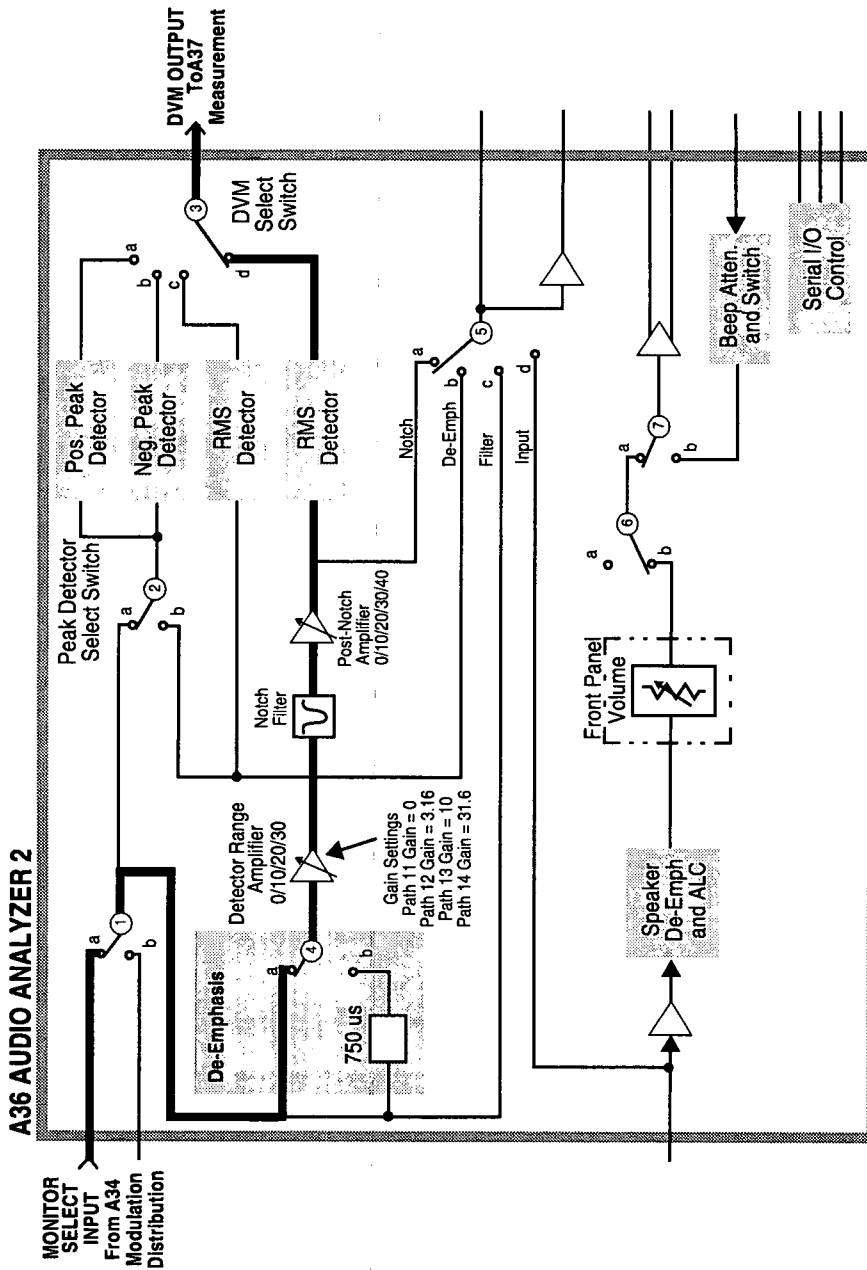


Figure 72 Audio analyzer 2 Paths 9 to 14

---

## Description Of RF Diagnostics (RF\_DIAGS)

### Introduction

Unlike the Audio Diagnostics, the RF Diagnostics attempt to determine the faulty assembly when the first failure is noted. For this reason, the tests should be run in order. In the following tables of tests, the measurement point refers to **Voltmeter Connection (DVM)**, **Counter Connection (Counter)**, or **Latch (Latch)** readings on the SERVICE screen.

## Reference

**Table 191**                      **Reference Tests**

Measurement	Explanation and Suggestions	Measurement Point
<b>10 MHz Lock Detector</b>	The lock detector on the internal 10 MHz reference oscillator is read.	Latch:refs_10MHz_sense
<b>10 MHz Time Base Count</b>	The frequency of the 10 MHz reference is measured by the counter. Since the reference being measured is also the reference for the counter, a valid counter reading indicates only that the counter is functioning but is meaningless as to accuracy. If the counter loses its reference, this measurement will timeout and the diagnostic test will stop. If this happens, trace the 20 MHz signal from P3-13 of the A15 Reference to P3-29 of the A19 Measurement.	Counter:REF_10MHZ
<b>1 GHz Oscillator Lock Detector</b>	The lock detector on the 1 GHz Loop is read.	Latch:refs_1GHz_sense
<b>1 GHz Enabled Output Level</b>	The RF detector on the 1 GHz output with the 1 GHz switch closed is read.	DVM:REF_1GHZ_DIAG
<b>1 GHz Disabled Output Level</b>	Open the switch that routes the 1 GHz signal to the output of the board. The detector is after the switch so it should detect that the signal is no longer there. A long wait is needed before measuring the detector.	DVM:REF_1GHZ_DIAG
<b>500 MHz Output Level</b>	The RF detector on the 500 MHz output is read.	DVM:REF_500MHZ_DIAG
<b>200 kHz or 1 MHz Output</b>	The Test Set is queried as to whether the reference output is set to 200 kHz or 1 MHz. (Some older Test Sets do not have the 1 MHz output.) The 200 kHz or 1 MHz outputs can be turned off by holding the output flip-flops in reset. The output detector is read with the output in the reset condition and in the normal operating condition. (Note: The Latch name is correct despite the "250_kHz" indication.)	Latch:refs_250_kHz_sense
<b>10 MHz Fine and Coarse DACs</b>	It is not possible to actually measure the 10 MHz frequency change caused by changing the DAC setting. Each DAC is set to a low value (0) and a high value (2000), and checked to make sure that the loop stays locked.	Latch:refs_10MHz_sense

## Signal Generator Synthesizer

**Table 192**                      **Signal Generator Synthesizer Tests**

Measurement	Explanation and Suggestions	Measurement Point
<b>Reference Detector (Ref present)</b>	The reference present detector is read with the 200 kHz reference signal enabled. If this measurement fails, trace the 200 kHz signal from P3-1 of the A15 Reference to P3-3 of the A14 Signal Generator Synthesizer.	Latch:gsyn_ref_not_present_sense
<b>Out-of-Lock Detector (Locked)</b>	The Out-of-Lock Detector is read with the loop set to be locked.	Latch:gsyn_out_of_lock_int_sense
<b>Reference Detector (Reference NOT present)</b>	The reference-present detector is read with the 200 kHz the Reference signal disabled at the Reference assembly.	Latch:gsyn_ref_not_present_sense
<b>Out-of-Lock Detector (NOT locked)</b>	The out-of-lock detector at the Reference assembly. This should cause the loop to be out of lock.	Latch:gsyn_out_of_lock_int_sense
<b>Frequency Range</b>	The 200 kHz Reference is enabled at the Reference assembly. Then the frequency of this loop is incremented from 500 to 1000 MHz in 50 MHz steps. The out-of-lock detector is read at each step.	Latch:gsyn_out_of_lock_int_sense

## Receiver Synthesizer

**Table 193 Receiver Synthesizer Tests**

Measurement	Explanation and Suggestions	Measurement Point
<b>Reference Detector (Ref present)</b>	The reference-present detector is read with the 200 kHz reference signal enabled. If this measurement fails, trace the 200 kHz signal from P3-2 of the A15 Reference to P3-3 of the A17 Receiver Synthesizer.	Latch:rsyn_ref_not_present_sense
<b>Out-of-Lock Detector (Locked)</b>	The out-of-lock detector is read with the loop set to be locked.	Latch:rsyn_out_of_lock_int_sense
<b>Reference Detector (Reference NOT present)</b>	The reference-present detector is read with the 200 kHz Reference signal disabled at the Reference assembly.	Latch:rsyn_ref_not_present_sense
<b>Out-of-Lock Detector (NOT locked)</b>	The out-of-lock detector is read with the 200 kHz Reference disabled at the Reference assembly. This should cause the loop to be out of lock.	Latch:rsyn_out_of_lock_int_sense
<b>Frequency Range</b>	The 200 kHz reference is enabled at the Reference assembly. Then the frequency of this loop is incremented from 500 to 1000 MHz in 50 MHz steps. The out-of-lock detector is read at each step.	Latch:rsyn_out_of_lock_int_sense

## Output

**Table 194**      **Output Tests**

Measurement	Explanation and Suggestions	Measurement Point
<b>+8 V Power Supply</b>	The +8 Vdc supply generated on the Output assembly is measured. The voltage measured by the DVM is the actual voltage divided-by-2.	DVM:OUT_POS_8V
<b>- 6 V Power Supply</b>	The -6 Vdc supply generated on the Output assembly is measured. The voltage measured by the DVM is the actual voltage divided-by-2.	DVM:OUT_NEG_6V
<b>Amplifier Bias Voltage</b>	The bias voltage is measured on the output amplifier.	DVM:OUT_AMP_BIAS
<b>Carrier Level DAC</b>	The carrier level DAC is checked by turning on each bit, one at a time, and measuring the voltage output with each bit turned on. It is also checked with all bits on. The limits are calculated based on the actual voltage measured for the -6 V supply in a previous test. The bit value (B) is calculated as $(-6 \text{ V actual}) \times 4 \div 6 + 4096$ .	DVM:OUT_LEVEL_REF
<b>Filter Tune DAC</b>	The Filter Tune DAC is checked by turning on each bit one at a time and measuring the voltage output with each bit turned on. It is also checked with all bits on. The limits are calculated based on the actual voltage measured for the -6V supply in a previous test. The bit value (B) is calculated as $-1 \times (-6 \text{ V actual}) \times 2 \times 422 + 984 + 4096$ .	DVM:OUT_TUNE_FILTER
<b>Open Loop ALC Drive</b>	This test opens the ALC Loop and checks that the voltage from the Level DAC appears at the modulator, input. The carrier level DAC is set to 4095 (full scale). The nominal output of the DAC (Ref) is calculated based on the actual voltage measured for the -6 V supply in a previous test. $\text{Ref} = -1 \times (-6 \text{ V actual}) \times 4 + 6 \times 100 + 75 \times 4095 + 4096$ .	DVM:OUT_ALC_DRIVE



**Table 194                      Output Tests (Continued)**

Measurement	Explanation and Suggestions	Measurement Point
<b>Output Detector, Detector Caps</b>	The detector is checked with the carrier level DAC at a high level (4000). Then the detector caps are switched in separately and together. The detector's voltage should not change as the caps are switched in and out. If the jumper coax between the output of the signal generator's Synthesizer and the input to the output section fails, the detector capacitors test will fail. This is a rather common failure.	DVM:OUT_OUTPUT_LEVEL
<b>Output Detector, Low Level</b>	The carrier-level DAC is set to a low level (0) so there should be no RF signal reaching the RF detector.	DVM:OUT_OUTPUT_LEVEL
<b>Output Frequency Range, Loop Closed</b>	The ALC loop is closed and the signal generator Synthesizer's frequency is set to all values from 1 to 1001 MHz in 100 MHz steps. The detector voltage is measured at each frequency.	DVM:OUT_OUTPUT_LEVEL
<b>Bandwidth Control</b>	The bandwidth control bits are set to all combinations. This should not change the output level.	DVM:OUT_OUTPUT_LEVEL
<b>Tracking Filter Rejection</b>	The ALC loop is opened and the tracking filters are checked by setting the RF frequency to the center of the 2 bands (375 and 750 MHz) that use these filters. Then the filter DAC is changed to tune the filters below the RF frequency. The RF level as measured by the output detector should be close to zero.	DVM:OUT_OUTPUT_LEVEL

## Input

Refer to figure 73, "Input Tests: Duplex Detector, RF Detector, and Step Attenuator," on page 648 and figure 74, "Input Tests: Ant, O/P Filter & Atten, Autorange Atten, Counter, Temp Sensor," on page 649 for signal flow and measurement points for the various measurement described in table 195, "Input Tests" on page 645.

**Table 195**      **Input Tests**

Measurement	Explanation and Suggestions	Measurement Point
<b>Duplex Detector (No Signal)</b>	See Path 1, Node 1 in figure 73 . The signal from the signal generator synthesizer is set to 750 MHz at >+10 dBm. The step attenuator is set to zero attenuation. The duplex switch is set so this internal signal does NOT go to the detector on the duplex input so the detector should read close to zero. If this test fails, it could be that a signal is being applied to the front-panel BNC connector. A cable hanging from the DUPLEX IN connector can cause a failure.	DVM:DUPLEX_DET
<b>Duplex Detector (Signal Present)</b>	See Path 2, Node 1 in figure 73 .The duplex switch is changed so the internal signal is applied to the duplex detector. The detector should read the signal level.	DVM:DUPLEX_DET
<b>RF Detector (Low Power), No Signal</b>	See Path 2, Node 2 in figure 73 . The low power RF detector is checked with no signal present. The duplex switch from the previous test is not letting the signal reach the RF detector.	DVM:RF_PK_DET_LOW
<b>RF Detector (Low Power), Signal Present</b>	See Path 1, Node 2 in figure 73 . The duplex switch is changed to route the signal to the RF detector.	DVM:RF_PK_DET_LOW
<b>RF Detector (High Power), No Signal</b>	See Path 2, Node 3 in figure 73 . The high power RF detector is checked with no signal present. The duplex switch is set so it does not let the signal reach the RF detector.	DVM:RF_PK_DET_HIGH
<b>RF Detector (High Power), Signal Present</b>	See Path 1, Node 3 in figure 73 . The duplex switch is changed to route the signal to the RF detector.	DVM:RF_PK_DET_HIGH

**Table 195**      **Input Tests (Continued)**

Measurement	Explanation and Suggestions	Measurement Point
<b>Step Attenuator</b>	See Path 1, Node 2 in <b>figure 73</b> . The step attenuator is checked by switching-in one pad at a time. The limits are set in terms of the no signal (RF Detector (Low Power), No Signal) reading obtained in the test and the difference between the readings obtained in the previous RF Detector (Low Power) Signal Present and No Signal tests.	DVM:RF_PK_DET_LOW
<b>Antenna Input Detector</b>	See Path 3, Node 4 in <b>figure 74</b> . The antenna input detector cannot read the internal signal level in the Input module. It is read anyway to be sure it is zero. If the test fails it could be because there is a signal being applied to the front-panel ANT IN connector.	DVM:ANTENNA_DET
<b>Filter Output Detector, No Signal</b>	See Path 3, Node 5 in <b>figure 74</b> . All the switches that connect the signal to the Receiver's output EXCEPT the antenna switch are set. Thus, there is NO signal yet on the filter output detector. The detector should read zero.	DVM:FILTER_OUT_DET
<b>Filter Output Detector, Signal Present</b>	See Path 4, Node 5 in <b>figure 74</b> . The filters are checked by setting the RF Analyzer and RF source to the same frequencies (1, 100,300, 600, 800, 1000 MHz). The frequencies are selected so each filter is checked. Setting the analyzer frequency's sets the right filter.	DVM:FILTER_OUT_DET
<b>Output Filter Rejection</b>	See Path 4, Node 5 in <b>figure 74</b> . Each filter is checked to see that it rejects signals outside of its passband. The filter is selected using the analyzer's frequency command.	DVM:FILTER_OUT_DET
<b>Output Variable Attenuator</b>	See Path 4, Node 5 in <b>figure 74</b> .The variable attenuator is checked by programming the DAC to full scale and reading the voltage on the output detector. Then the DAC is programmed to values which turn on the 5 most significant bits, 1 bit at a time, starting with the MSB. In each case the output detector is measured and checked to see if the voltage is less than the previous reading (last).	DVM:FILTER_OUT_DET

**Table 195 Input Tests (Continued)**

Measurement	Explanation and Suggestions	Measurement Point
<b>Auto Range Attenuator</b>	See Path 4, Node 5 in <b>figure 74</b> . The Auto Range Attenuator is programmed to its 3 possible values (+20 dB, 0 dB and -20 dB). At each setting the output detector is read.	DVM:FILTER_OUT_DET
<b>Counter with TTL Divider</b>	See Path 4, Node 6 in <b>figure 74</b> . The signal from the signal generator's synthesizer is routed to the counter TTL prescaler. The frequency of the signal is set to all values between 1 and 51 MHz in 5 MHz steps. The count returned is the actual frequency in kHz, divided-by-16.	Counter:INPUT_TTL_COUNT
<b>Counter with ECL Divider</b>	See Path 4, Node 7 in <b>figure 74</b> . The signal from the signal generator's synthesizer is routed to the counter's ECL prescaler. The frequency of the signal is set to all values between 50 and 1000 MHz in 50 MHz steps. The count returned is the actual frequency in kHz, divided-by-256.	Counter:INPUT_ECL_COUNT
<b>Temperature Sensor</b>	See Node 8 in <b>figure 74</b> . The Temperature Sensor produces a DC voltage proportional to the internal temperature. The scale factor is 10 mV/°C	DVM:TEMP_SENSE

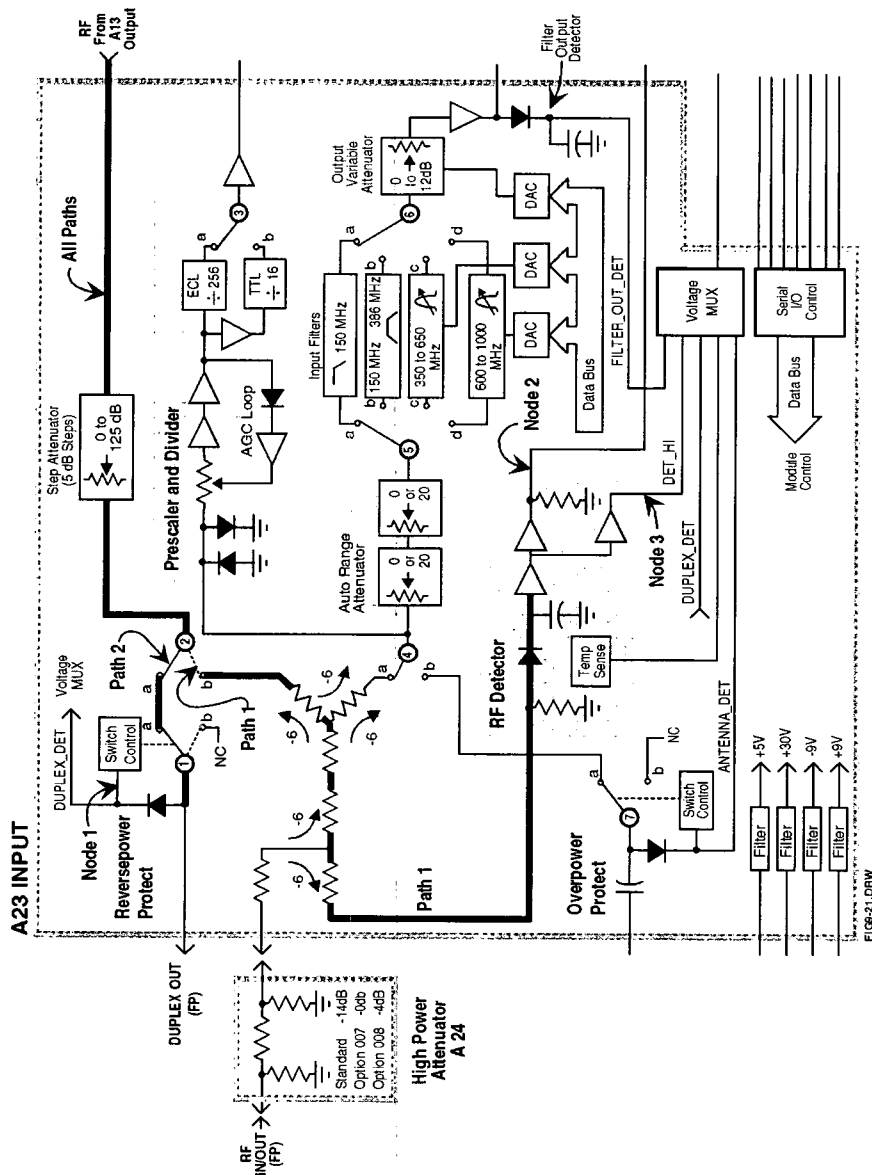


Figure 73 Input Tests: Duplex Detector, RF Detector, and Step Attenuator

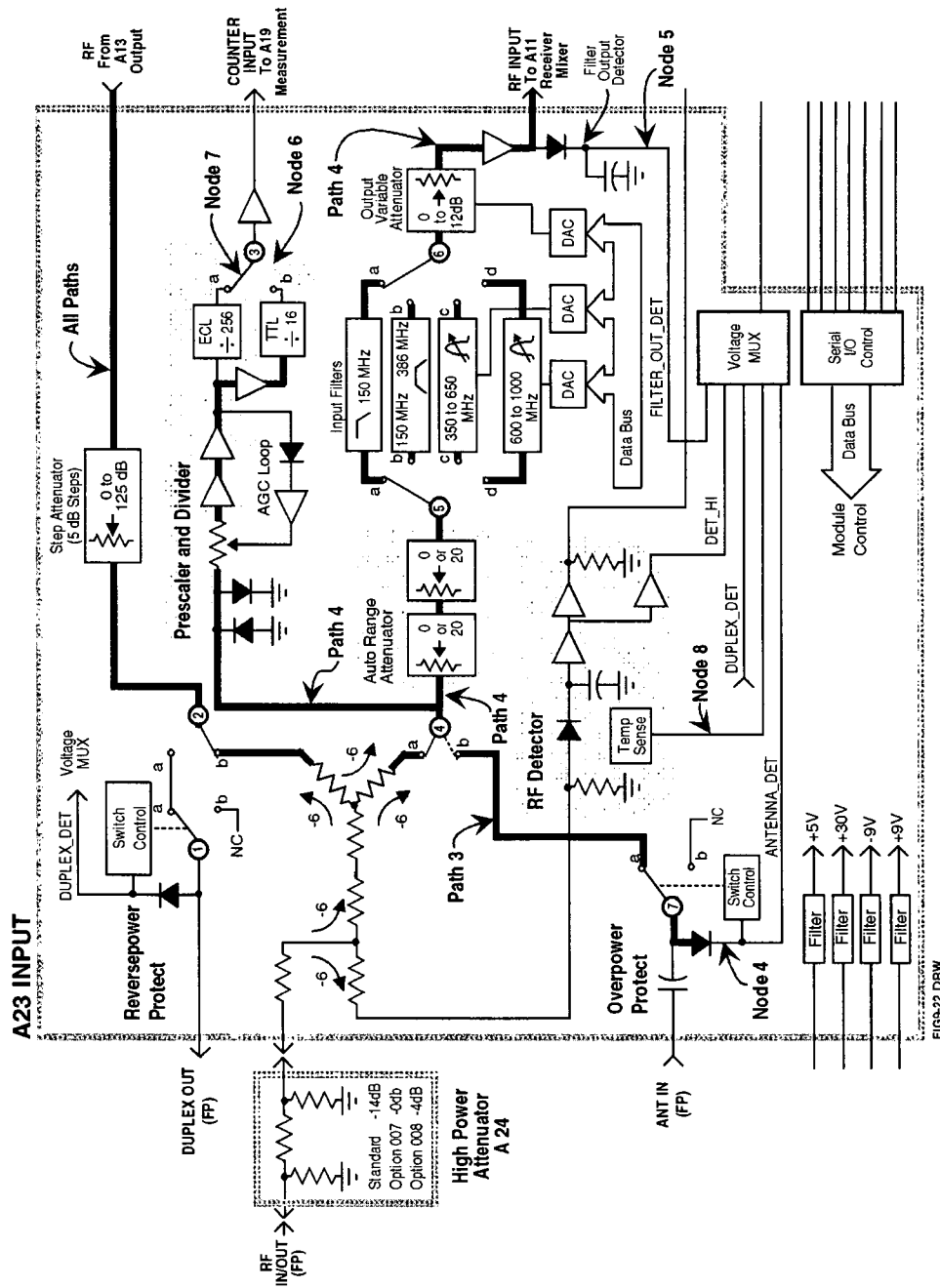


FIG09-22.DRW

Figure 74

Input Tests: Ant, O/P Filter & Atten, Autorange Atten, Counter, Temp Sensor

## Spectrum Analyzer Tests

Since the Spectrum Analyzer is optional on some Test Sets, these tests may be bypassed.

**Table 196**                      **Spectrum Analyzer Tests**

Measurement	Explanation and Suggestions	Measurement Point
<b>Detector Output, No Signal</b>	The signal generator's signal is routed to the spectrum analyzer, but the level is set to - 100 dBm at the <b>RF IN/OUT</b> connector which produces a very small signal at the spectrum analyzer. The spectrum analyzer's detector should produce just an off -set voltage.	DVM:SCOPE2
<b>Stepped Gain</b>	Using the spectrum analyzer's internal calibration signal (110 MHz), the stepped-gain amplifiers are checked. Each gain step is turned on one step at a time. The sensitivity of the detector varies from 24 mV/dB to 6 mV/dB at the levels where the internal calibration signal could be. 3 dB of gain error is allowed for the steps. If this measurement fails, trace the 20 MHz signal from P3-9 of the A15 Reference to P1-3 of the A18 Spectrum Analyzer.	DVM:SCOPE2
<b>IF Band Width</b>	The IF bandwidth is set to all possible values. The spectrum analyzer LO is moved in increments of 10% of the bandwidth of the filter being tested to find a signal within each filter. The voltage read by the detector should be basically the same as the full scale reading (0 dB) in the stepped gain test above.	DVM:SCOPE2
<b>Filter Rejection</b>	The LO's frequency is set $10 \times BW$ away from the normal center of each filter. Then the detector is read. The level at the detector should be low. A 0.55 V change is equivalent to a 27.5 dB change in signal level.	DVM:SCOPE2
<b>Variable Gain IF Amplifier</b>	The variable-gain IF amplifier is checked by turning on one bit at a time, the DAC which controls it. The least-significant bit is turned on first.	DVM:SCOPE2

**Table 196 Spectrum Analyzer Tests (Continued)**

Measurement	Explanation and Suggestions	Measurement Point
<b>RF Input Signal</b>	<p>The internal calibration signal is disabled and the input signal path from the Receiver is enabled. The signal generator's synthesizer and the RF analyzer are set to 100 MHz. This provides an IF of 114.3 MHz at the input to the spectrum analyzer. The level is set so that the level at the RF IN/OUT connector is equivalent to - 120 dB at the ANT IN connector. This should produce a DVM reading of 1.892 Vdc from the spectrum analyzer's detector. Limits of <math>\pm 0.200</math> V are used which is equivalent to approximately a 10 dB variation in signal level. For newer Test Sets, additional measurements are made by setting a reference level then dropping the level 10, 2, and 1 dB with the vertical sensitivity set to 10, 2, and 1 dB/division respectively.</p>	DVM:SCOPE2



## Receiver

Refer to **figure 75** through **figure 81** for signal flow of the measurements described in **table 197**, "Receiver Tests" on page 652.

**Table 197** Receiver Tests

Measurement	Explanation and Suggestions	Measurement Point
<b>Down Converter</b>	See <b>figure 75</b> . First, the instrument is checked to see if the spectrum analyzer (optional in some Test Sets) is installed. If it is not, this test is bypassed. If the Spectrum Analyzer is present, the internal RF generator frequency, set to 100 MHz and – 46 dBm CW, is fed into the first mixer (where it is downconverted to the 614.3 MHz IF) and the receiver (where it is downconverted to the 114.3 MHz IF). The IF is then fed into the spectrum analyzer. The test is repeated for 500 MHz and 900 MHz. Failures occurring in this test are inconclusive. Failures may be due to the receiver's first mixer, the receiver, or the spectrum analyzer.	Spectrum Analyzer center frequency
<b>IF Counter</b>	See <b>figure 76</b> . The internal RF generator is set to 100 MHz CW and fed into the receiver's input. The IF frequency is measured by the IF counter. The IF chain must operate properly through the FM demodulator for this test to pass. (If the spectrum analyzer option is not installed, this becomes the first test.)	Counter:REC_IF_COUNT
<b>FM</b>	See <b>figure 77</b> . The internal RF generator is set for FM at 10 kHz peak deviation and a 1 kHz rate. The peak deviation is measured by the receiver. This is the first test in which the internal audio source is applied to the signal generator synthesizer's FM modulator. If all the Audio Diagnostics run with no failures but this and/or the next test fails, check the path of the audio source from the output of the Modulation Select Multiplexer switch on the A4 Modulation Distribution assembly to the A14 Signal Generator Synthesizer's input.	DVM:POS_PK_DET
<b>FM Inverted</b>	See <b>figure 77</b> . Same as previous test except the demodulated FM is inverted.	DVM:POS_PK_DET

**Table 197 Receiver Tests (Continued)**

Measurement	Explanation and Suggestions	Measurement Point
<b>Squelch</b>	See <b>figure 78</b> . The internal RF generator is set for FM at 10 kHz peak deviation and 1 kHz rate. The RMS deviation is measured under the following four conditions. (High level is -80 dBm; lowlevel is -127 dBm.) Condition 1 - RF generator level high, squelch fixed. Condition 2 - RF generator level low, squelch fixed. Condition 3 - RF generator level high, squelch open. Condition 4 - RF generator level low, squelch open.	DVM:PRE_NOTCH_RMS
<b>ALC On</b>	See <b>figure 79</b> . The internal RF generator is set to CW. The receiver is set to measure AM. The ALC level is measured.	DVM:DC_AUDIO
<b>ALC Off</b>	See <b>figure 79</b> . Same as previous test except ALC is set to off.	DVM:DC_AUDIO
<b>AM</b>	See <b>figure 80</b> . The internal RF generator is set for AM at 50% and a 1 kHz rate. The AM depth is measured by the receiver. This is the first test in which the internal audio source is applied to the Output section's AM modulator. If all the Audio Diagnostics run with no failures but this test does fail, check the path of the audio source from the output of the Modulation Select Multiplexer switch on the A4 Modulation Distribution assembly to the A13 Output section's AM input.	DVM:POS_PK_DET
<b>SSB Level</b>	See <b>figure 81</b> . The internal RF generator is set to 100.001 MHz CW. The receiver is tuned to 100 MHz. The output of the SSB demodulator is the difference frequency, 1 kHz.	DVM:PRE_NOTCH_RMS
<b>SSB Frequency</b>	See <b>figure 81</b> . Same as previous test except the frequency (1 kHz) is measured.	Counter:AUD1_COUNT

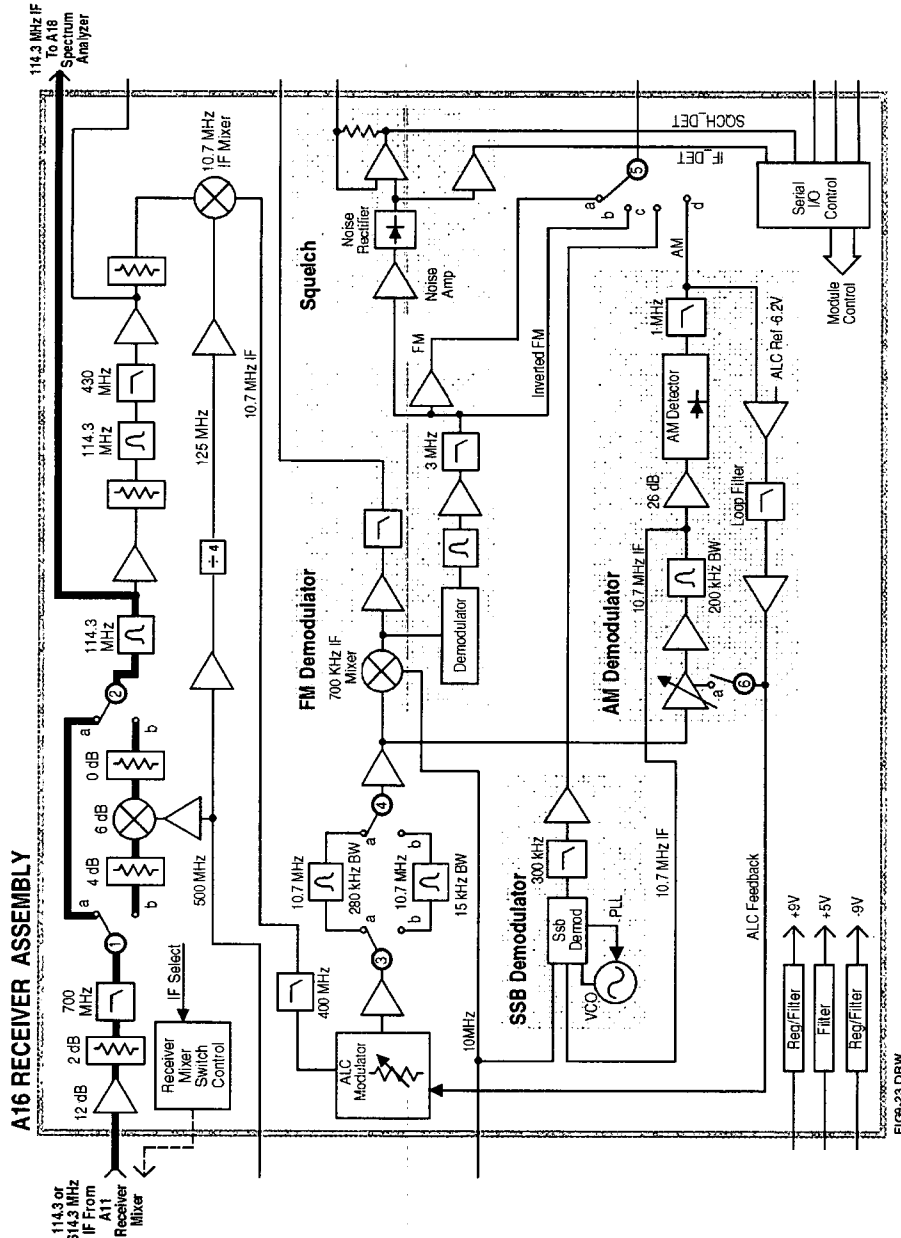


Figure 75 Receiver Tests\_Down Converter

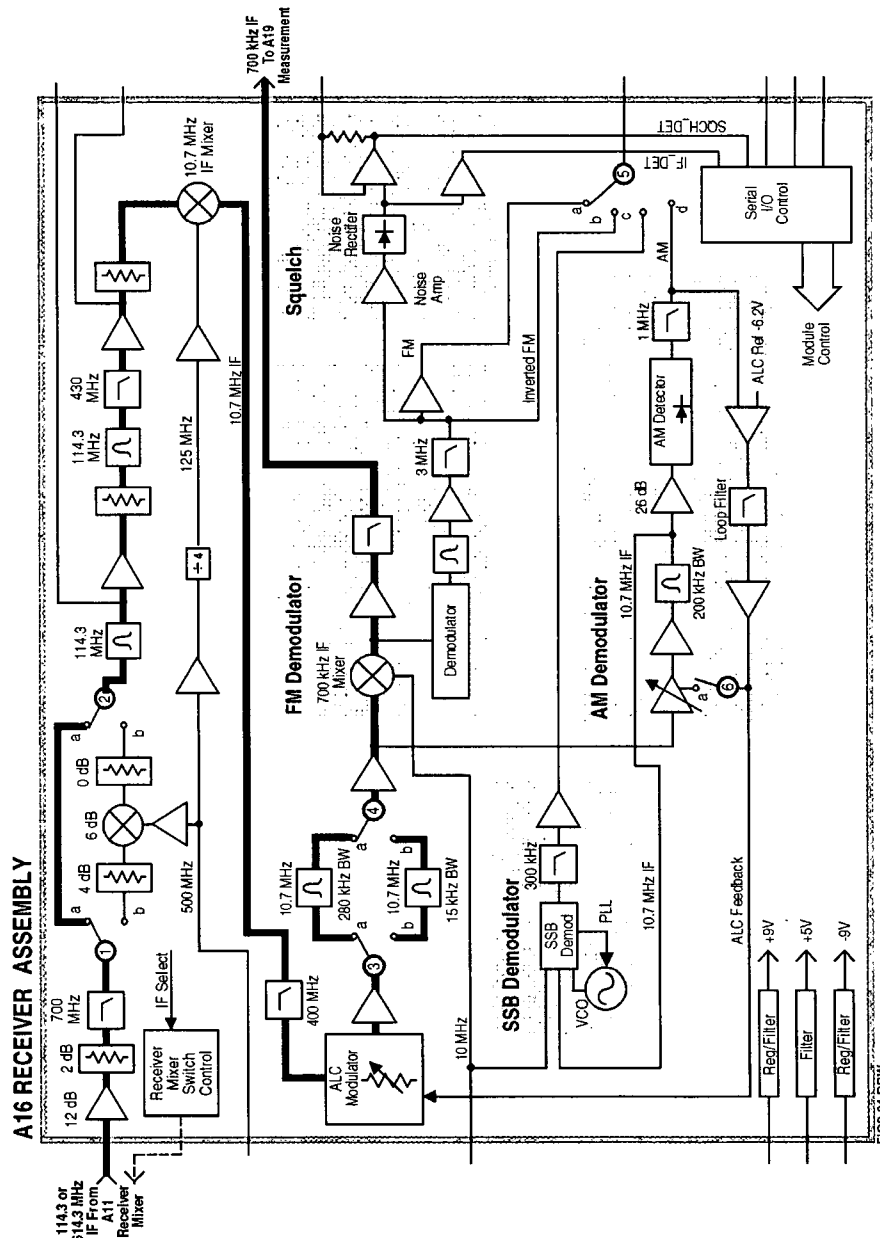


Figure 76 Receiver Tests\_IF Counter

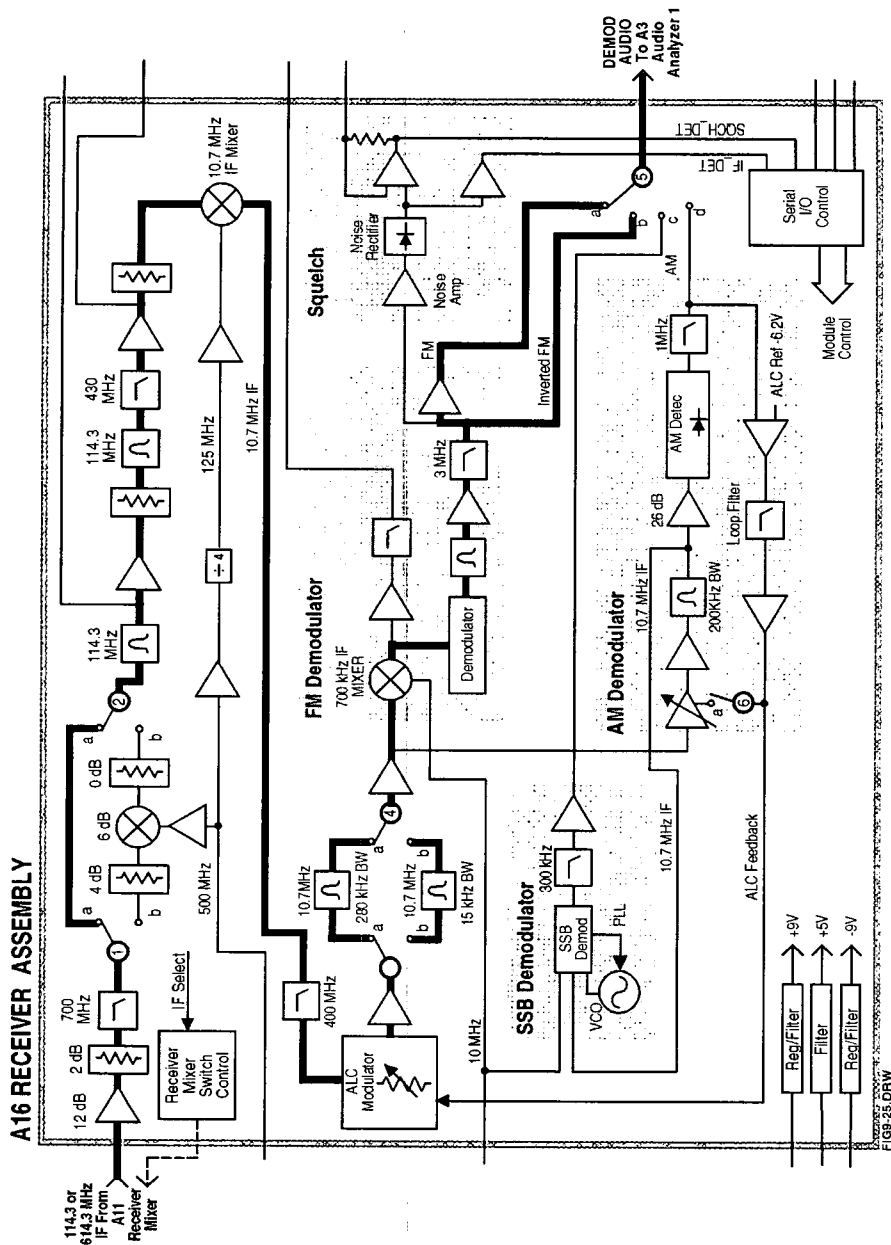


Figure 77 Receiver Tests\_FM

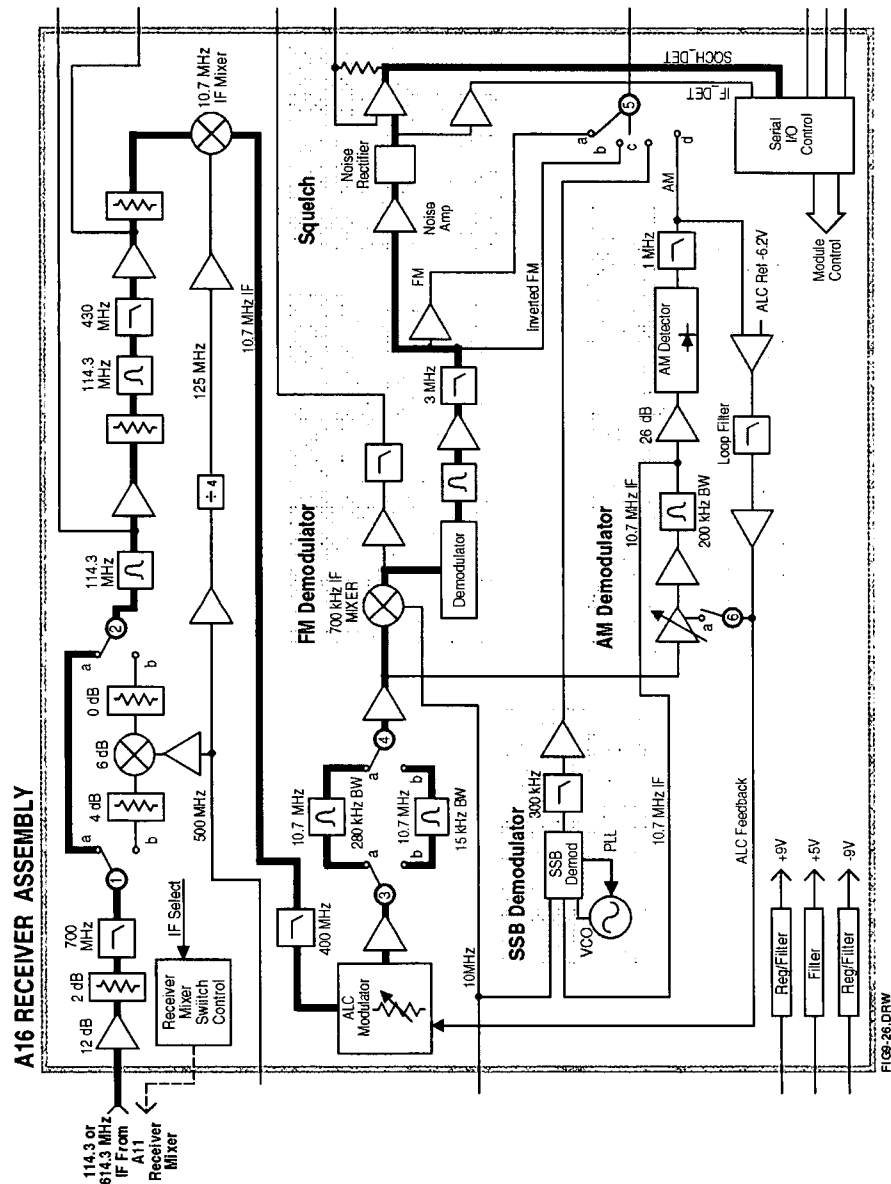


Figure 78

Receiver Tests\_Squelch

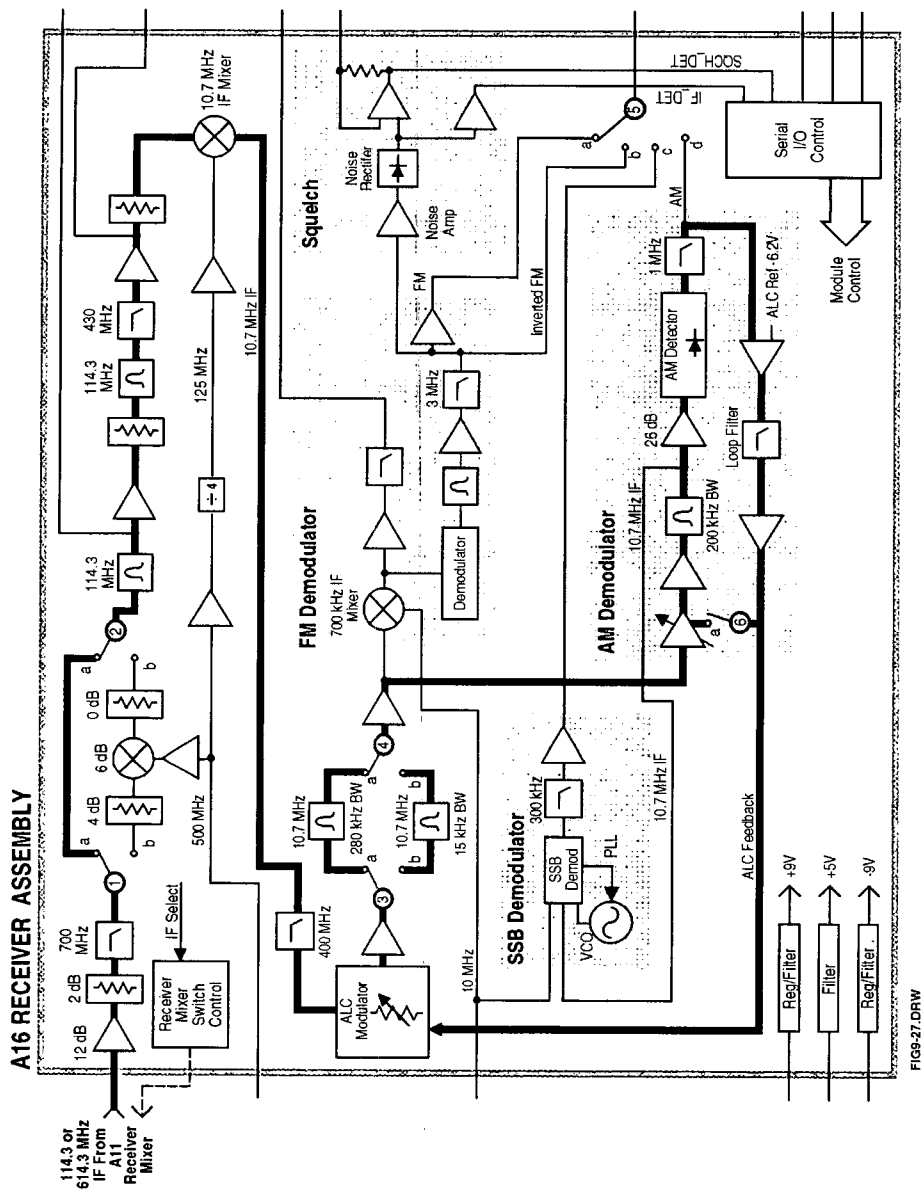


FIG99-27.DRW

Figure 79 Receiver Tests\_ALC

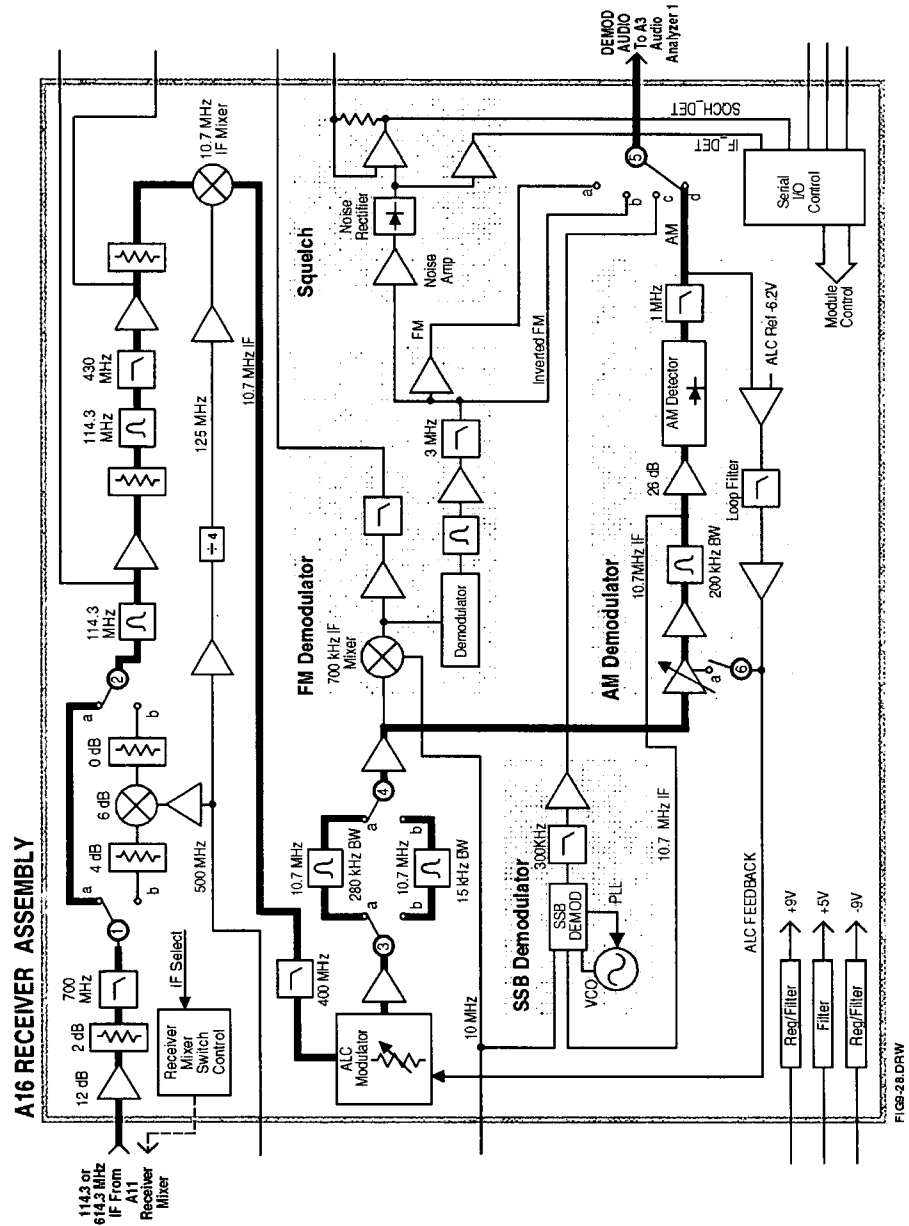


Figure 80 Receiver Tests\_AM



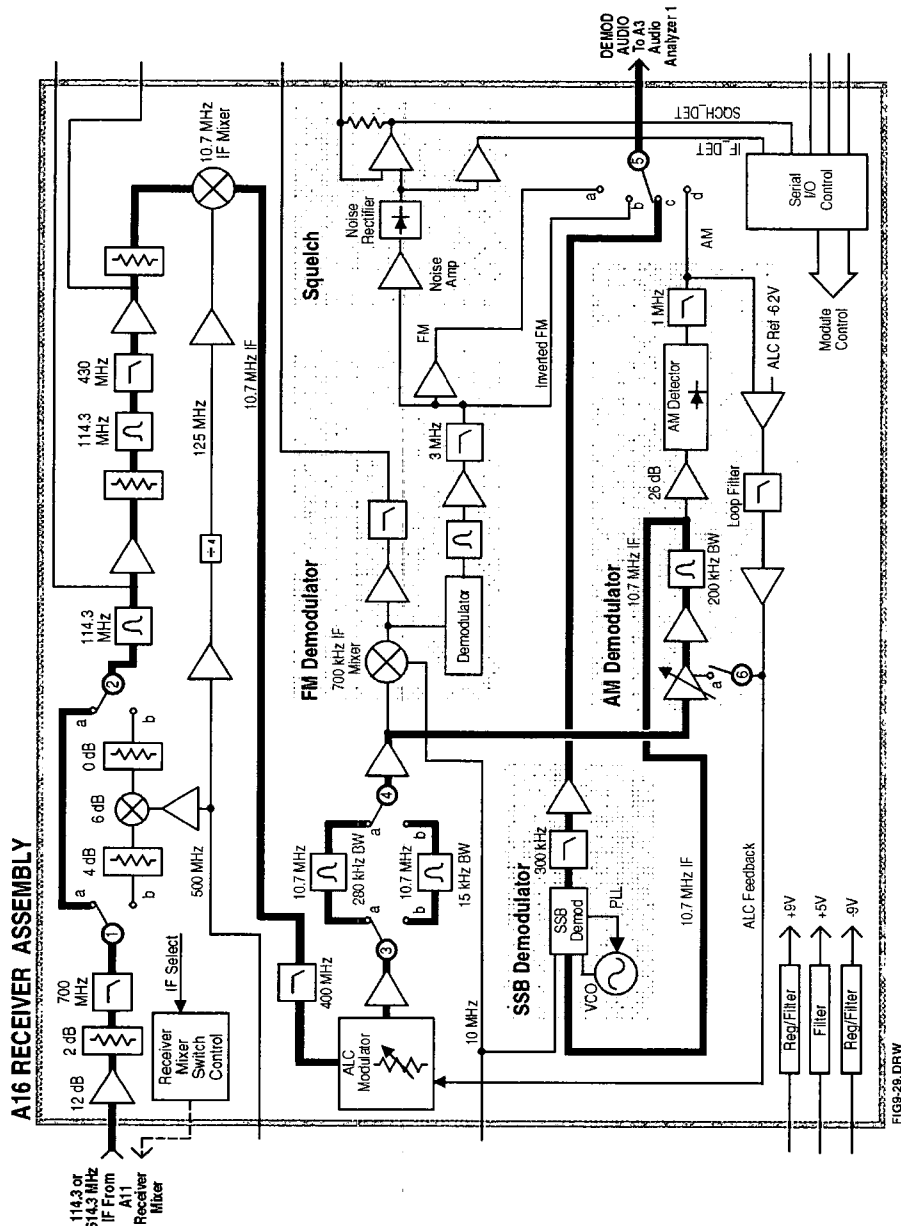


Figure 81 Receiver Tests\_SSB

---

## Description Of Miscellaneous Diagnostics (MS\_DIAGS)

### Introduction

The Miscellaneous Diagnostics are varied and cannot be run in a loop. In the following tables of tests, the measurement point refers to **voltmeter Connection (DVM)** or **Latch (Latch)** readings on the SERVICE screen.

## External Reference Test

**Table 198** External Reference Test

Measurement	Explanation and Suggestions	Measurement Point
<b>Ext Reference Present Detector</b>	This test requires that an external reference signal be connected to the <b>10 MHz REF INPUT</b> (rear panel). The external reference sensor is checked.	Latch:refs_ext_ref_sense
<b>Ext Reference Lock Detector</b>	This test requires that an external reference signal be connected to the <b>10 MHz REFINPUT</b> (rear panel). The 10 MHz loop lock sensor is checked.	Latch:refs_10MHz_sense
<b>Ext Reference Lock-out</b>	The external reference can be locked out. The external reference sensor should not detect a signal if the lock-out works.	Latch:refs_ext_ref_sense

## RF Input/Output Test

**Table 199**                      **RF Input/Output Test**

Measurement	Explanation and Suggestions	Measurement Point
<b>Duplex Out to RF I/O</b>	The RF Generator is set to 100 MHz at -100 dBm to the <b>DUPLEX OUT</b> . The user must connect a cable from the <b>DUPLEX OUT</b> to the <b>RF IN/OUT</b> connector. The power meter is zeroed. Then the RF generator's amplitude is set to +10 dBm and the power meter is read.	HP-IB "MEAS:RFR:POWER?" statement
<b>Duplex Out to Ant In.</b>	The RF generator is set to 100 MHz at +10 dBm to the <b>DUPLEX OUT</b> . The user must connect a cable from the <b>DUPLEX OUT</b> to the <b>ANT IN</b> connector. The signal is routed to the filter out detector in the input section.	DVM:FILTER_OUT_DET

**Self-Test****Table 200 Self-Test**

Measurement	Explanation and Suggestions	Measurement Point
<b>Instrument Self-Test</b>	The HP-IB command, *TST?, is sent to the instrument. The instrument responds with a result in the range, 0 to 4094. If the result is not zero, then one or more instrument self tests failed. Individual bits in the result are set to 1 to indicate that certain tests failed. The program decodes the bits that are set and prints a message for each bit that is set to 1. The messages are listed below. See " <b>Description Of Self-Test Diagnostic</b> " on page 598. 1: Microprocessor Failure 2: ROM Failure 3: Standard RAM Failure 4: Option RAM Failure 5: Timer Failure 6: Real Time Clock Failure 7: Keyboard (stuck Key) Failure 8: RS-232 (option) Failure 9: Serial Comm Failure 10: Signaling Failure 11: CRT Controller Failure 12: Misc Hardware Failure	
<b>Power Supplies On :Power Supply, +5.1 V</b>	Reads the actual +5.1 V power supply voltage on the Measurement Board.	DVM:MEAS_5V_REF
<b>Power Supplies On :Power Supply, +12.37 V</b>	Reads the divided +12.37 V power supply voltage on the Measurement Board.	DVM:MEAS_12V_REF
<b>Power Supplies On :Power Supply, +41.5 V</b>	Reads the divided +41.5 V power supply voltage on the Measurement Board.	DVM:MEAS_38V_REF
<b>Power Supplies On :Power Supply, -12.37 V</b>	Reads the divided - 2.37 V power supply voltage on the Measurement Board.	DVM:MEAS_NEG_12V_REF
<b>Power Supplies On :Power Supply, +12.00 V</b>	Reads the divided +12.00 V power supply voltage on the Measurement Board.	DVM:PS_12V_AUX



---

**A**

---

**Error Messages**

---

## General Information About Error Messages

Information concerning error messages displayed by the Test Set may be found in one of the following manuals:

- *HP 8920 or HP 8921 User's Guides*
- *HP 8920, 8921 Programmer's Guide*
- *HP 8920, 8921 Assembly Level Repair Manual*
- *HP Instrument BASIC User's Handbook:*
  - HP 8920A or HP 8921A: *HP Instrument BASIC Users Handbook* (HP P/N E2083-90000)
  - HP 8920B: *HP Instrument BASIC Users Handbook Version 2.0* (HP P/N E2083-90005)

The format of the displayed message determines which manual contains information about the error message. There are four basic error message formats:

- Positive numbered error messages
- IBASIC error messages
- HP-IB error messages
- Text only error messages

The following paragraphs give a brief description of each message format and direct you to the manual to look in for information about error messages displayed in that format.



---

## Positive Numbered Error Messages

**Positive numbered error messages** are generally associated with IBASIC. Refer to the *HP Instrument BASIC User's Handbook* for information on IBASIC error messages.

Positive numbered error messages take the form: **ERROR XX error message**

For example:

- **Error 54 Duplicate file name**
- or
- **Error 80 in 632 Medium changed or not in drive**

---

## IBASIC Error Messages

**IBASIC Error Messages** are associated with IBASIC operation. IBASIC error messages can have both positive and negative numbers. Refer to the *HP Instrument BASIC User's Handbook* for information on positive numbered error messages. Refer to the HP-IB Error Messages section of the *HP 8920, HP 8921 Programmer's Guide* for information on negative numbered error messages (the error message associated with a negative number is the same for HP-IB errors and IBASIC errors).

IBASIC error messages take the form: **IBASIC Error: -XX error message**

For example:

- **IBASIC Error: -286 Program runtime error**

---

## HP-IB Error Messages

**HP-IB Error Messages** are associated with HP-IB operation. Refer to the HP 8920, HP 8921 Programmers Guide for information on HP-IB error messages.

HP-IB error messages take the form: **HP-IB Error: -XX error message or HP-IB Error error message**

For example:

**HP-IB Error: -410 Query INTERRUPTED.**

or

**HP-IB Error: Input value out of range.**

---

## Text Only Error Messages

**Text only error messages** are generally associated with manual operation of the Test Set. Refer to the *HP 8920 or HP 8921 User's Guide* for information on text only error messages.

Text only error messages can also be displayed while running the Test Set's built-in diagnostic or calibration utility programs. Refer to the *HP 8920, HP 8921 Assembly Level Repair* manual for information on text only error messages displayed while running the Test Set's built-in diagnostic or calibration utility programs.

Text only error messages take the form: **This is an error message.**

For example:

- **Input value out of range.**

---

## The Message Display

During instrument operation, various messages may appear on the Test Set's display. Prompt-type messages generally appear on the first line of the Test Set's display. General operating and error messages usually appear on the second line of the display. Some messages are persistent; they remain displayed until the error condition no longer exists, or until another persistent message with greater priority occurs. Other messages are only displayed when the error first occurs; they are removed when a key is pressed or the knob is turned, or when an HP-IB command is received. Many of the messages are displayed on the MESSAGE screen until the instrument is turned off.

Messages that are about error conditions may tell you what to do to correct the error (turn something off, reduce a field's value, press a certain key, and so forth). Messages and prompts are sometimes accompanied by a beep or warble.

---

**NOTE:**           **Warbles and Beeps**

A warble sound indicates that an **instrument-damaging event** is occurring. Beeps often occur only with the first occurrence of the message. Prompts are generally silent.

---

---

## Non-Recoverable Firmware Error

The non-recoverable firmware error is very important. It appears when an unanticipated event occurs that the Test Set's firmware cannot handle. The message appears in the center of the Test Set's display and (except for the two lines in the second paragraph) has the form:

Non-recoverable firmware error. Please record the 2 lines of text below and contact Hewlett Packard through your local service center or by calling (800) 827-3848 (USA, collect) and asking to speak to the 8920A Service Engineer.

'Address error exception'  
at line number 0

To continue operation, turn POWER off and back on.

Follow the instructions in the message.

Unfortunately, you will not be able to recover from this condition. You must switch the Test Set off and back on. When you rerun the test where the Error Message occurred, it may not occur again. If it does reappear, it would be helpful to HP to record exactly what the configuration of the instrument was when the error appeared and contact HP.

---

## Powerup Self-Test Error Messages

### **One or more self tests failed. Error code: 0080**

A Test Set failure was detected when the Test Set was turned on. (For example, having a stuck front-panel key during turn-on.) The (hexadecimal) error code corresponds to the failure message (or messages) listed in **table 183, "Returned Values for Self-Test Diagnostic Failures" on page 599** . For example, error code 0080 corresponds to the message "keyboard Failure (stuck key)" .

..

---

## Calibration Download Error Message

### **Cal file checksum incorrect. File reset to default values.**

This message occurs at powerup when downloading of calibration data is unsuccessful. It indicates that the calibration data is corrupt, and although the Test Set will function, measurements will be inaccurate. Calibration data is downloaded from a memory card when certain assemblies are replaced, or it is generated when the Periodic Calibration program is run. This message will not occur again at powerup unless another unsuccessful downloading occurs.



---

## Self-Calibration Error Messages

### **Voltmeter Self Calibration Failed. Error = 223, 0x0000ffff (EXAMPLE)**

The example noted above is one of many messages that may occur during self-calibration. When the Test Set is powered up and at timed intervals for certain measurements, the Test Set calibrates itself internally. Calibration usually takes 20 to 30 ms. The following measurements are calibrated at these timed intervals:

- Voltmeter: approximately every 3 minutes
- Counter: approximately every 3 minutes
- Oscilloscope: approximately every 3 minutes
- Spectrum Analyzer: approximately every 4 minutes

Should a self-calibration fail, an error message is displayed. The error code (223, 0x0000ffff in the example above) will vary depending on the particular failure. Failures of this type are generally caused by hardware. Since a general self-calibration occurs immediately after power-up, these failures often appear as though they are power-up self-test errors.

When a self-calibration failure occurs, check the A19 Measurement assembly first since most of the measurement circuitry described above is located on it. However, in the case of the spectrum analyzer calibration, check the A18 Spectrum Analyzer assembly first. The A15 Reference assembly may also cause its own self-calibration failure or a Spectrum Analyzer error message. (The error message in the example above can be generated by unplugging the A15 Reference before powering up the Test Set.)

After displaying a self-calibration error message, the Test Set will proceed with the measurement using default calibration factors. Depending on the nature of the failure, subsequent measurements may look normal. The error message will persist.

---

## Functional Diagnostics Failure Messages

### **Direct latch write occurred. Cycle power when done servicing.**

This message will occur when initiating and running the Functional Diagnostics. It is one of several messages that are documented in **chapter 2, "Troubleshooting"** in the section *More About Step 3 - Run the Functional Diagnostics* under the subsection *Frequently Encountered Error Messages*.

---

## Audio Diagnostics Messages

When a measurement is out of limits, a message is displayed at the end of the test which indicates the following: Suspected faulty assembly.

- Confidence level of the assertion (low, medium, high).
- Failure Code

A detailed description of the test including an interpretation of the failure codes and relevant block diagrams is located in **chapter 10, "Diagnostics Descriptions"** .

---

## RF and Miscellaneous Diagnostics Messages

When a measurement is out of limits, a message is displayed at the end of the test which indicates the following: Suspected faulty assembly.

- Confidence level of the assertion (low, medium, high).

A detailed description of the test including an interpretation of the failure codes and relevant block diagrams is located in **chapter 10, "Diagnostics Descriptions"**.

---

## **Flash ROM Firmware Upgrade Error Messages (HP 8920B only)**

If the Test Set is an HP 8920B, firmware is stored in flash ROMs. With flash ROMs, the firmware can be quickly upgraded with new firmware from a memory card. It is not necessary to open the Test Set and replace individual ICs. Should problems arise in the process of uploading the new firmware, the user is notified by messages on the display which state the situation and suggest any actions to be taken.

The firmware upgrade process begins when the user inserts the firmware upgrade memory card into the front-panel memory card socket and turns the Test Set on. The Test Set notes the presence of a valid firmware upgrade card and proceeds to upload the firmware on the memory card into the flash ROMs on the A7 Controller assembly. Any failures that occur during the upload process are immediately reported and the upload is aborted.

The error messages that may be displayed during a firmware upgrade are listed below in alphabetical order. Supplemental fault information is included.

### **Memory Card Checksum Error**

The memory card may be at fault. The card reader on the A8 Memory board could also be faulty.

### **Memory Card Read Error**

This error will always appear if the user removes the memory card during the upload process. The memory card itself could be faulty or, less likely, the card reader on the A8 Memory board.

### **Memory Erase Error**

This fault is most likely caused by either the flash ROMs themselves or the controller circuits. In either case replace the A7 Controller assembly.

### **Memory Write Error**

This fault is most likely caused by either the flash ROMs themselves or the controller circuits. In either case replace the A7 Controller assembly.

### **Programming Voltage Error**

The programming voltage is supplied to the flash ROMs from the power supply via the A7 Controller assembly. The fault is most likely on the A7 Controller but can be caused by the A10 Power Supply Regulator assembly.

### **ROM Checksum Error**

With the new firmware loaded into the Test Set's flash ROMs, the checksum on the ROM is tested. A faulty checksum is most likely caused by the flash ROMs themselves or possibly the controller circuits. In either case replace the A7 Controller assembly.



---

**A****Audio Diagnostics**

- audio analyzer 1 external paths, 630
- audio analyzer 1 internal paths, 624
- audio analyzer 2 paths, 632
- audio frequency generators 1 and 2, 606
- modulation distribution external paths, 619
- modulation distribution internal paths, 615
- preliminary audio paths, 608

**B****Beeps, 671****Block Diagrams**

- assembly detail (BD9 thru BD28), 466, 523
- I/O specifications, 446
- organization, 446
- overall Test Set (BD1 and BD2), 446
- section detail (BD3 thru BD8), 446, 466
- switch information, 446

**C****cables**

- power, 13, 14

**Calibration**

- overview, 52
- periodic, 109

**Calibration Data**

- assemblies which require, 75, 109
- downloading, 80
- swapping controller EEPROM, 109
- write-protect switch, 109

**Connectors**

- torque settings, 80

**Conventions used, 46**



- 
- D**
- Diagnostics
    - audio (AF\_DIAGS), 70, 605
    - clearing RAM, 67
    - description, 597
    - error messages, 67, 677, 678
    - failure messages, 676
    - memory requirements, 67
    - miscellaneous (MS\_DIAGS), 71, 661
    - overview, 69
    - RF (RF\_DIAGS), 70, 639
    - running, 62
    - self-test, 598
    - self-test failure codes, 599
    - self-test LED codes, 600
    - temperature range, 62
    - timeouts, 68
    - USER keys, 67
  - Disassembly and replacement procedures, 82
    - controller, 104
    - CRT, 102
    - external cover, 85
    - fan, 100
    - front panel, 88
    - high-power attenuator, 102
    - internal covers, 85
    - motherboard, 98
    - power supply, 96
    - power supply regulator, 94
    - receiver mixer, 92
    - RF input, 88
  - Documentation, supplied, 53
- E**
- Enhancements
    - firmware, 56
    - hardware, 56
  - Equipment, 53
    - performance tests, 121
    - periodic calibration, 112
  - Error Messages
    - audio diagnostics, 677
    - calibration download, 674
    - flash ROM firmware upgrade, 679
    - functional diagnostics, 676
    - general information about, 666
    - HP-IB, 669
    - IBASIC, 668
    - message display, 671
    - non-recoverable firmware error, 672
    - positive numbered, 667
    - powerup self-test, 673
    - RF and miscellaneous diagnostics, 678
    - self-calibration, 675
    - text only, 670
    - warbles and beeps, 671
    - which manual to find, 666
- F**
- Failures
    - further isolating RF, 76
    - isolating Input and Output, 76
    - isolating RF Analyzer, 77
    - isolating RF Source, 78

---

**M**

Miscellaneous Diagnostics  
external reference test, 662  
RF input/output test, 663  
self-test, 664

**N**

Non-Recoverable Firmware Error, 672

**O**

Out-of-Lock (OOL) Detectors, 73

- 
- P**
- Performance Test Record
    - HP 8920A, 207
    - HP 8920B, 264
    - HP 8921A, 321
  - Performance Tests
    - equipment, 121
    - how often, 52
    - how to use, 120
    - procedures 1 thru 31, 123, 207
    - required by model number, 122
    - required by option, 122
    - Test Set operation, 120
  - Periodic Calibration, 109
    - assembly requirements, 109
    - audio analyzer 1 offset, 117
    - audio frequency generator gain, 116
    - equipment, 112
    - external modulation path gain, 117
    - how often, 52
    - location of voltmeter connections, 116
    - modules which require, 75
    - PER\_CAL program descriptions, 113
    - running program, 112
    - setting timebase latches, 118
    - timebase reference using a counter, 114
    - timebase reference using a source, 114
    - types, 109
    - variable frequency notch filter, 117
    - voltmeter references, 115
  - Phone numbers
    - customer support, 10
    - power cables, 13, 14
- R**
- Repair
    - disassembly procedures, 82
    - introduction, 79
    - process overview, 51
    - replacement procedures, 82
  - Replaceable Parts, 525
    - HP8920A, 527
    - HP8920B, 550
    - HP8921A, 574
    - ordering, 526
  - RF Diagnostics
    - input, 645
    - output, 643
    - receiver, 652
    - receiver synthesizer, 642
    - reference, 640
    - signal generator synthesizer, 641
    - spectrum analyzer tests, 650
- S**
- Self-Support Information, 54, 526
  - Service Screen
    - description, 439
    - displays, 443
    - field names and descriptions, 441
    - how to access, 440
  - Specifications
    - AF analyzer, 380, 404, 427
    - audio source, 376, 399, 424
    - dc current meter, 388, 413, 434
    - description, 369
    - general, 392, 419, 437
    - HP 8920A, 371
    - HP 8920B, 392
    - HP 8921A, 419
    - option 031, 418
    - oscilloscope, 383, 408, 429
    - reference oscillator, 390, 416
    - remote programming, 389, 414, 435
    - RF analyzer, 377, 400, 425
    - save/recall registers, 391, 417, 436
    - signal generator, 372, 394, 422
    - signaling, 387, 412, 433
    - spectrum analyzer, 384, 409, 430
  - support, 9
  - Support Contacts
    - electronic mail, 10, 55
    - HP Desk, 10, 55
    - telephone, 10, 55, 526
-

---

T

Test Set

- convention used, 46
- damage to, 671
- description, 48
- overall block diagram, 446
- relating functions to hardware, 73
- verify functionality, 64

Test System

- convention used, 46
- description, 48

Theory of Operation

- audio analyzer, 456
- audio generator, 464
- control, 466
- display, 466
- input/output, 449
- oscilloscope, 457
- power supply, 466
- RF analyzer, 452
- RF generator, 460
- spectrum analyzer, 453

Tools, 53

Torque settings

- connectors, 80

training, 10

Troubleshooting

- CRT flowchart, 66
- disable Cellular Adapter, 60
- error 1000 with Cellular Adapter, 65
- flowchart, 60
- four basic steps, 58
- overview, 50
- relating assemblies to diagnostics, performance tests and periodic calibration, 82
- run functional diagnostics, 61
- run self-test diagnostic, 61
- service screen, 439
- swapping assemblies, 52, 74
- Test Set fails to power-up, 66

W

Warbles, 671